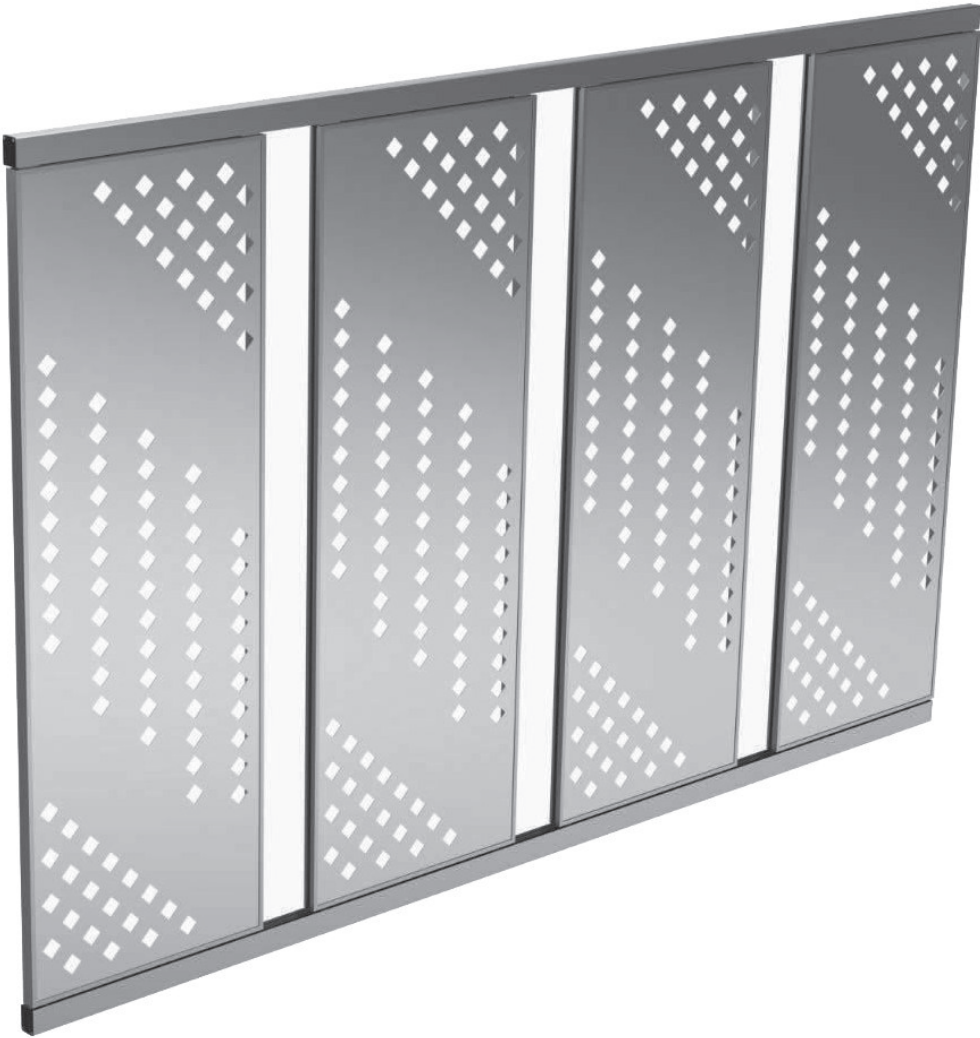


MİMARİ KATALOG ARCHITECTURAL CATALOGUE

Alüminyum Kapı Pencere ve Giydirme Cephe Sistemleri
Aluminium Window Doors and Facade Systems



SN42

MİMARİ KATALOG

ARCHITECTURAL CATALOGUE

Alüminyum Kapı Pencere ve Giydirme Cephe Sistemleri
Aluminium Window Doors and Facade Systems

SN42

PROFİLLER

PROFILES

01

02

03

04

05

06

07

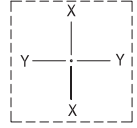
08

09

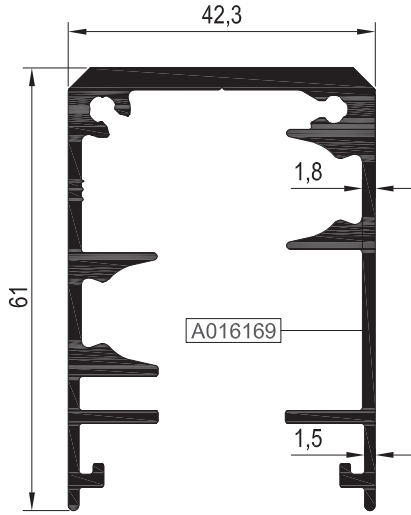
10

11

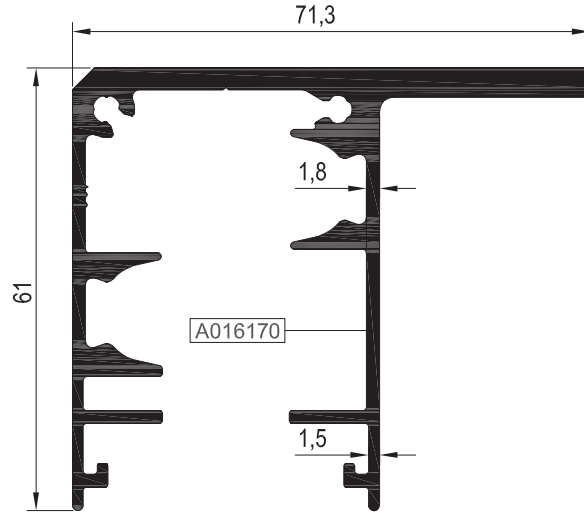
KOD / CODE	AĞIRLIK (kg/m) / WEIGHT	Jxx cm ⁴	Jyy cm ⁴	L m
SN42 F 01	1,438	15,071	19,328	6
SN42 F 02	1,767	28,153	23,802	6
SN42 V 01	0,535	1,689	3,227	6
SN42 V 02	0,531	1,667	3,126	6
SN42 M 01	0,430	0,518	1,540	6
SN42 A 01	0,089	---	---	6



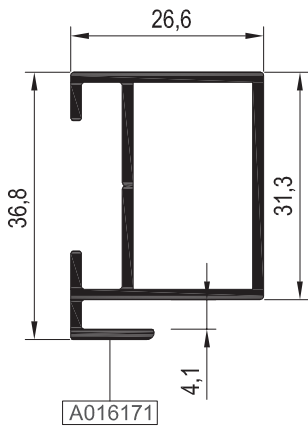
SN42 F 01



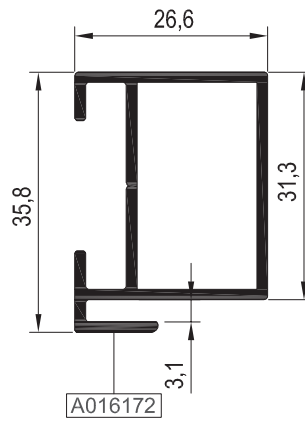
SN42 F 02



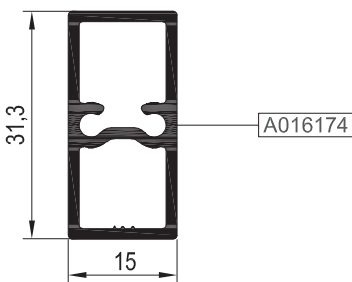
SN42 V 01



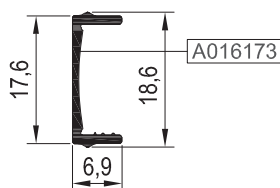
SN42 V 02



SN42 M 01



SN42 A 01



MİMARİ KATALOG

ARCHITECTURAL CATALOGUE

Alüminyum Kapı Pencere ve Giydirme Cephe Sistemleri
Aluminium Window Doors and Facade Systems

SN42

DETAYLAR

DETAILS

01

02

03

04

05

06

07

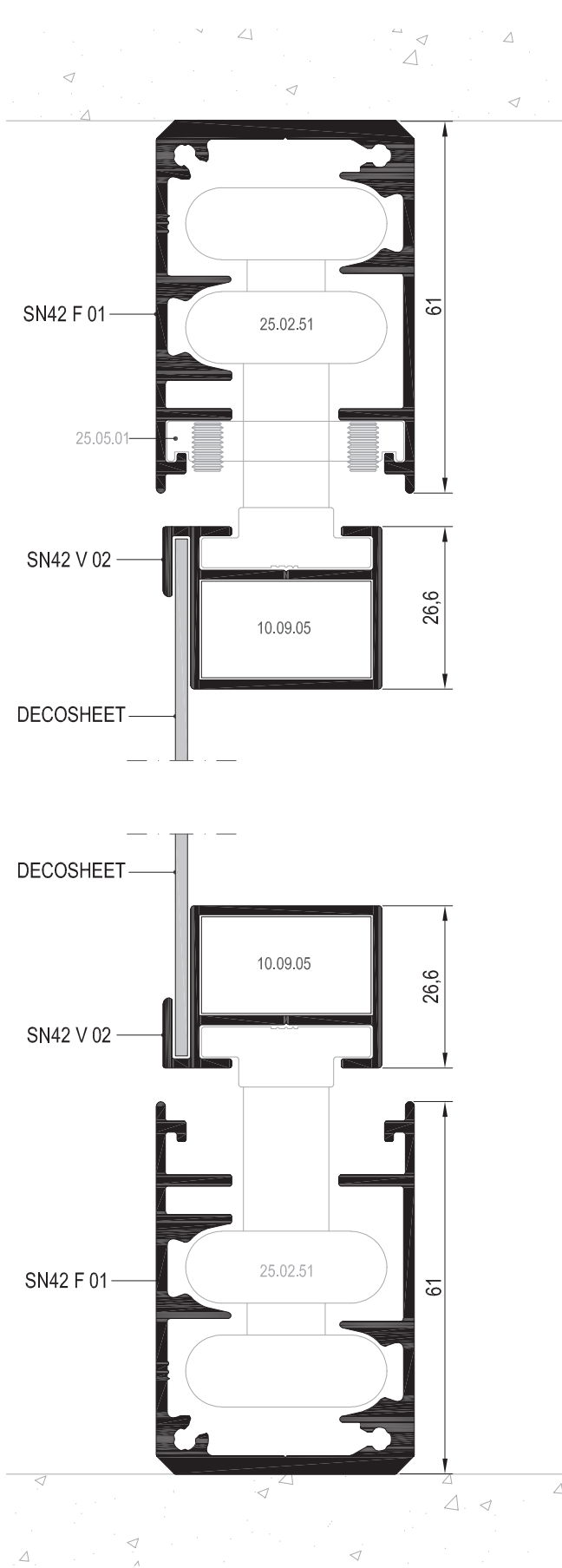
08

09

10

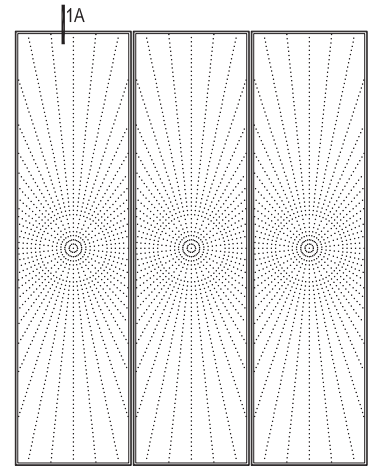
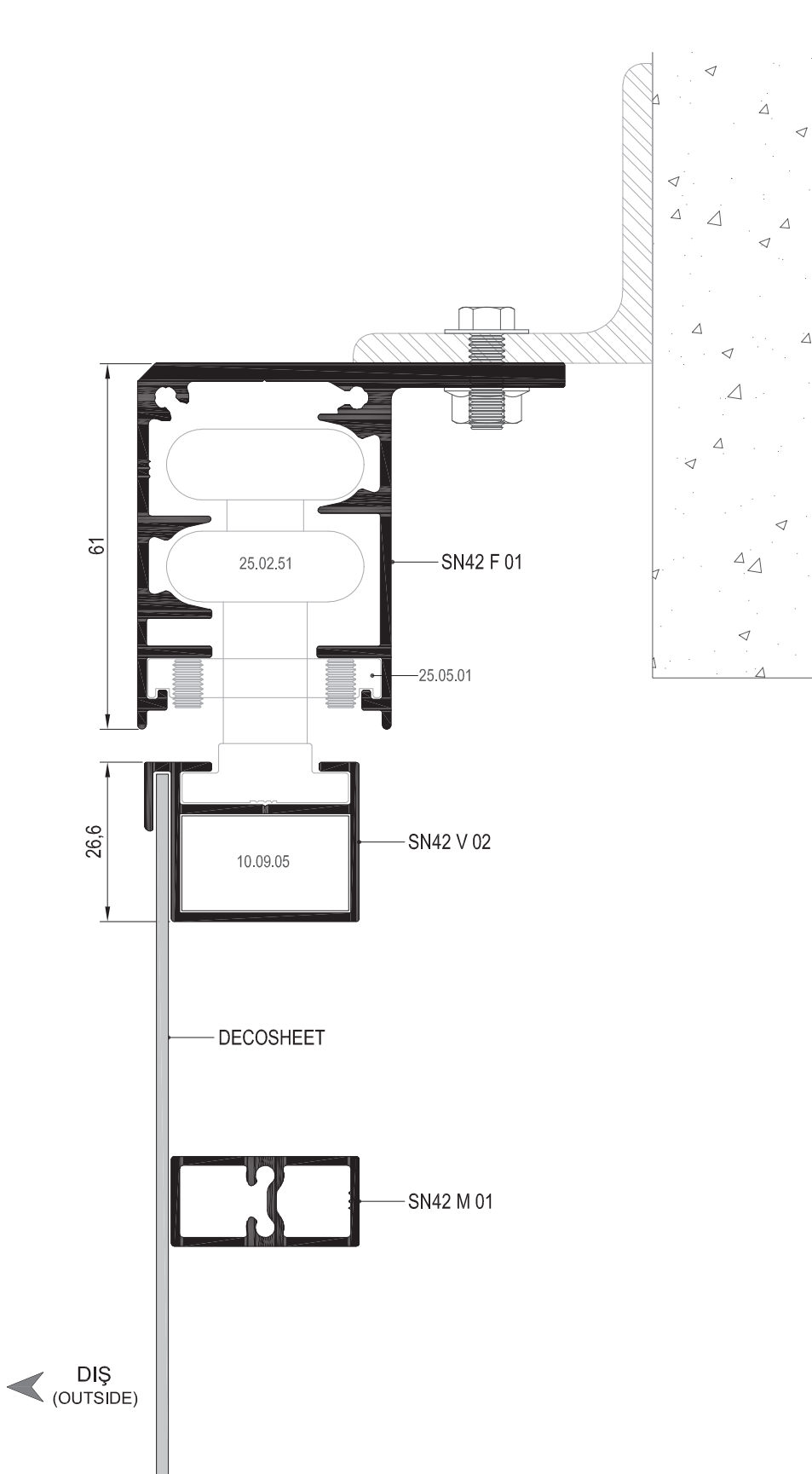
11

- 01
- 02
- 03
- 04
- 05
- 06
- 07
- 08
- 09
- 10
- 11



① DETAYI
DETAIL

② DETAYI
DETAIL



01

02

03

04

05

06

07

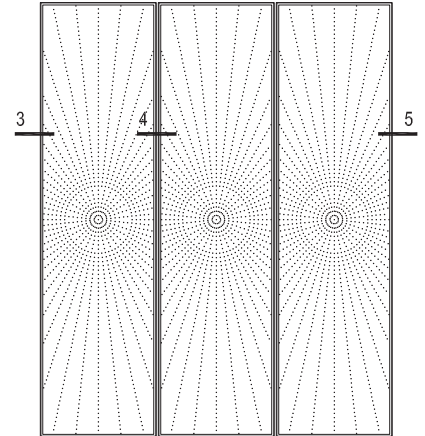
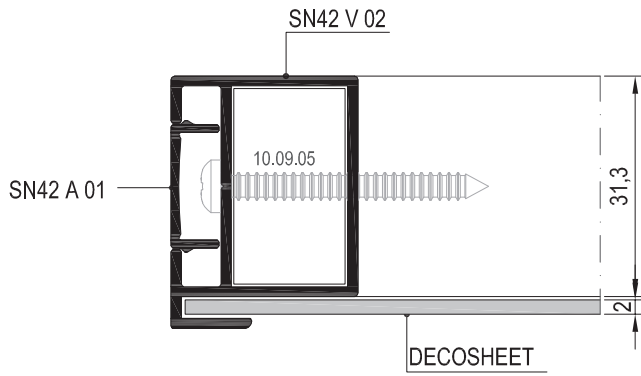
08

09

10

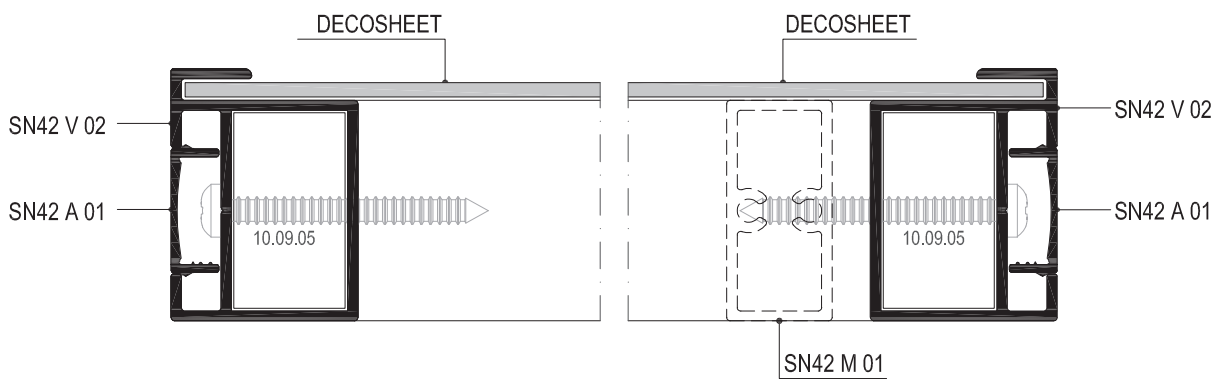
11

1A DETAYI
DETAIL



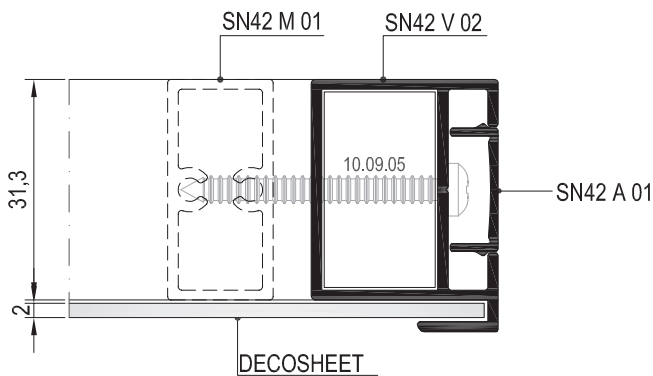
③ DETAYI
DETAIL

DIŞ
(OUTSIDE)



④ DETAYI
DETAIL

DIŞ
(OUTSIDE)



⑤ DETAYI
DETAIL

DIŞ
(OUTSIDE)



MİMARİ KATALOG

ARCHITECTURAL CATALOGUE

Alüminyum Kapı Pencere ve Giydirme Cephe Sistemleri
Aluminium Window Doors and Facade Systems

SN42

AKSESUARLAR

ACCESSORIES

01

02

03

04

05

06

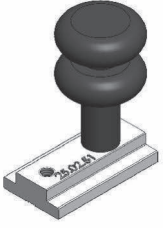
07

08

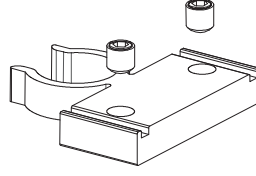
09

10

11



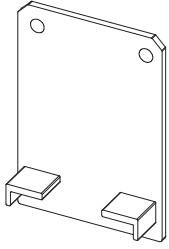
25.02.51

RULMAN
ROLLER

25.05.01

STOPER
STOPER

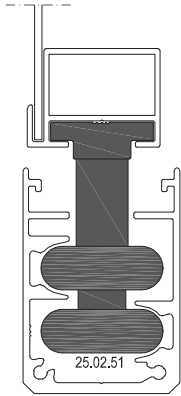
Malzeme / Material : PVC



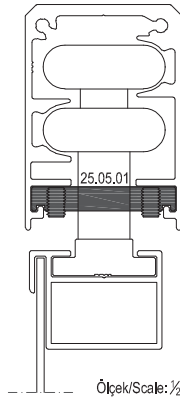
25.05.02

KAPAK
CAP

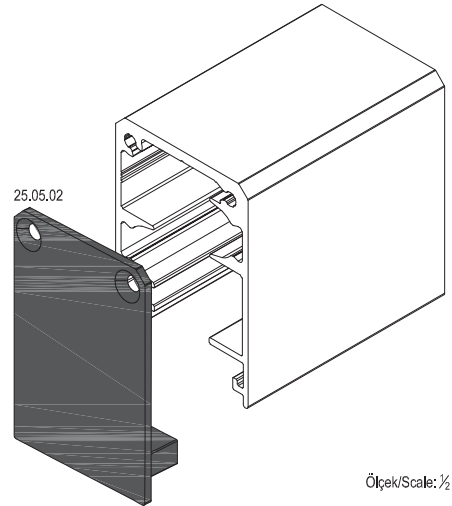
Malzeme / Material : PVC



Ölçek/Scale: ½



Ölçek/Scale: ½



Ölçek/Scale: ½