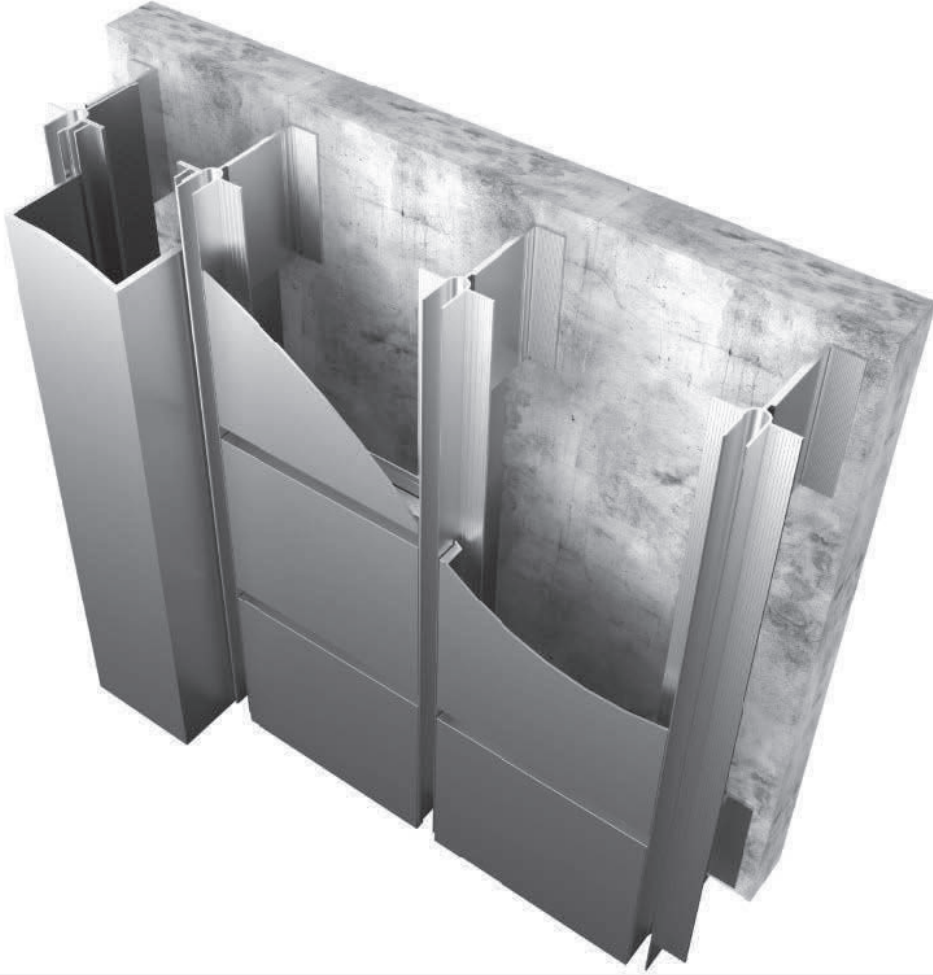


# MİMARİ KATALOG ARCHITECTURAL CATALOGUE

Alüminyum Kapı Pencere ve Giydirme Cephe Sistemleri  
Aluminium Window Doors and Facade Systems



# RTC22



# MİMARİ KATALOG

## ARCHITECTURAL CATALOGUE

Alüminyum Kapı Pencere ve Giydirme Cephe Sistemleri  
Aluminium Window Doors and Facade Systems

# Rtc22

PROFİLLER

PROFILES

12

13

14

15

16

17

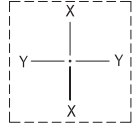
18

19

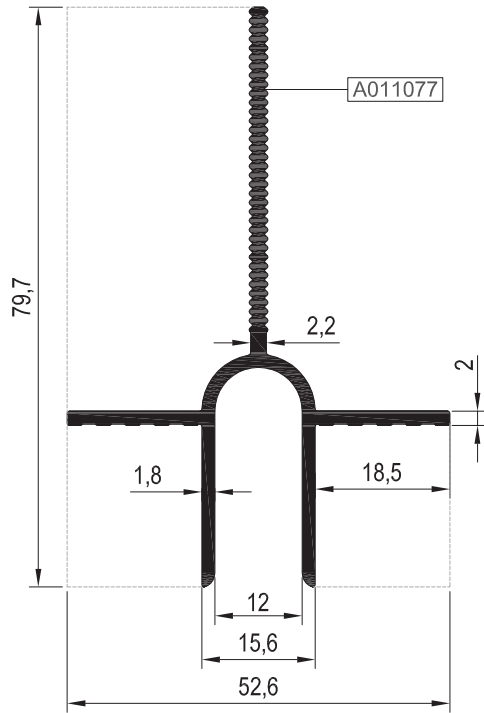
20

21

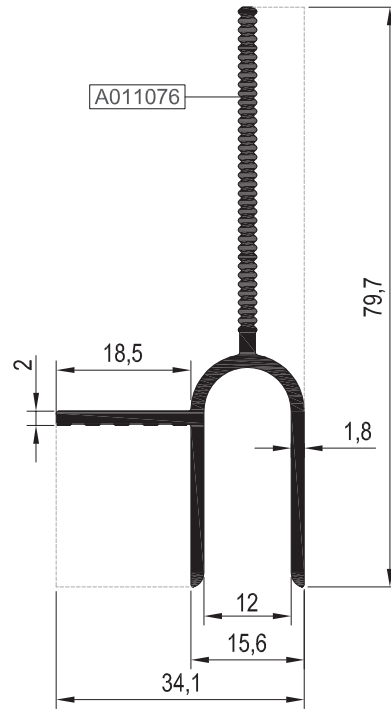
KOD / CODE	AĞIRLIK (kg/m) / WEIGHT	Jxx cm <sup>4</sup>	Jyy cm <sup>4</sup>	L m
TC22 M 01	0,813	12,260	2,771	6
TC22 M 02	0,718	11,938	1,507	6
TC22 M 05	0,663	9,328	2,495	6
TC22 M 06	0,216	0,406	0,304	6
TC22 M 07	0,278	0,503	0,338	6



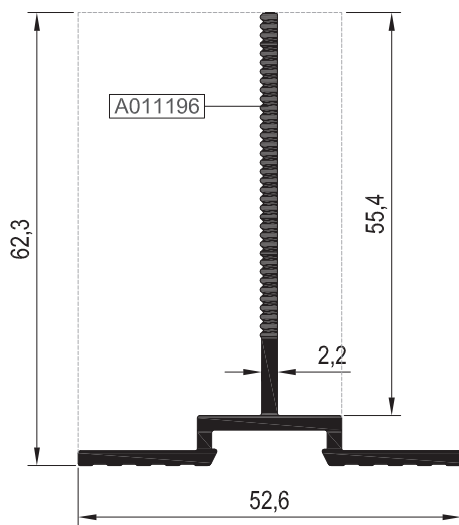
TC22 M 01



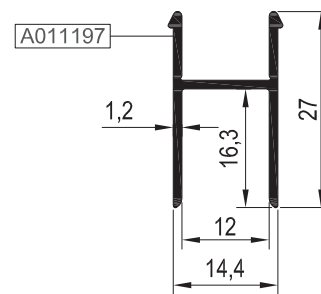
TC22 M 02



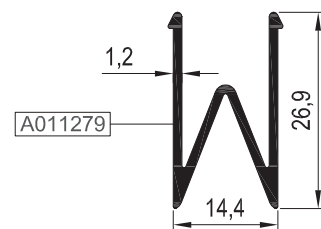
TC22 M 05



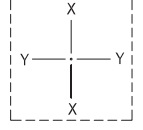
TC22 M 06



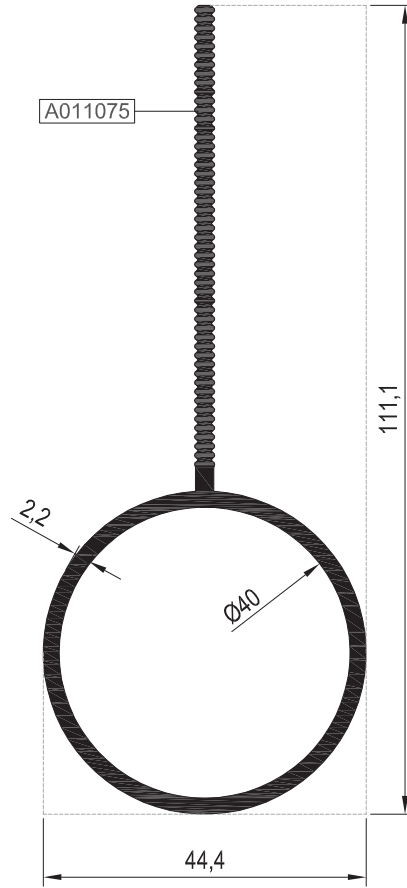
TC22 M 07



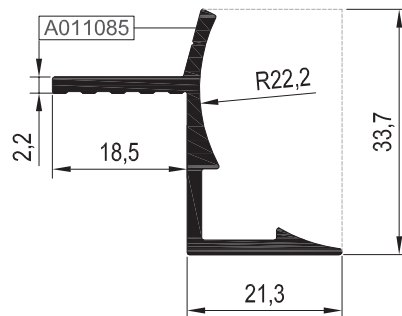
KOD / CODE	AĞIRLIK (kg/m) / WEIGHT	Jxx cm <sup>4</sup>	Jyy cm <sup>4</sup>	L m
TC22 M 03	1,225	44,280	6,512	6
TC22 M 04	0,409	1,650	1,006	6



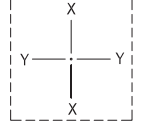
TC22 M 03



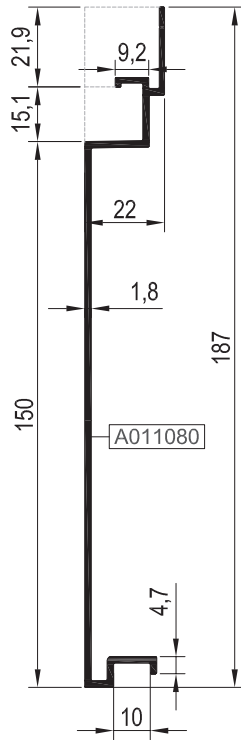
TC22 M 04



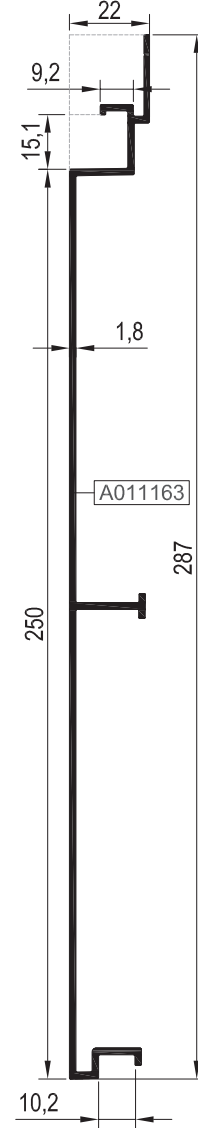
KOD / CODE	AĞIRLIK (kg/m) / WEIGHT	Jxx cm <sup>4</sup>	Jyy cm <sup>4</sup>	L m
TC22 T 01	1,175	2,406	153,600	6
TC22 T 02	1,780	3,196	507,850	6



TC22 T 01

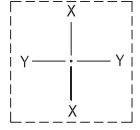


TC22 T 02

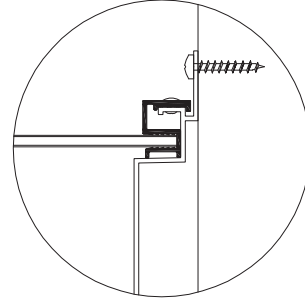
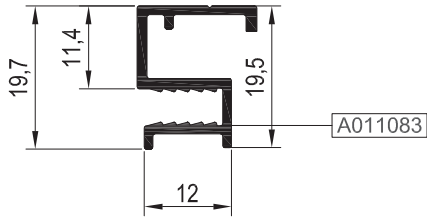


Ölçek / Scale: 1/2

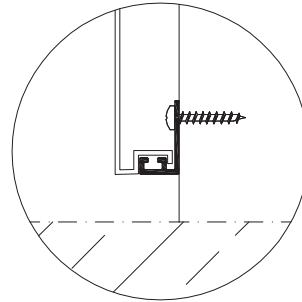
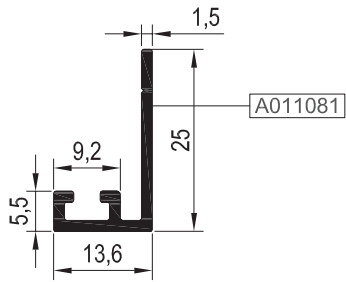
KOD / CODE	AĞIRLIK (kg/m) / WEIGHT	L m
TC22 A 01	0,231	6
TC22 A 02	0,194	6
TC22 A 03	0,339	6
TC22 A 04	0,200	6



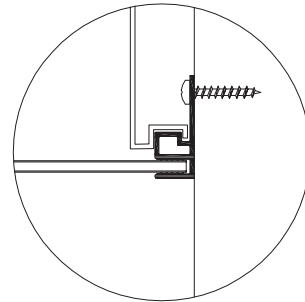
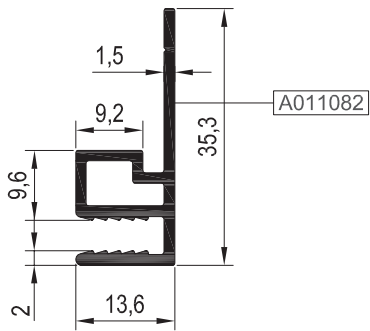
TC22 A 01



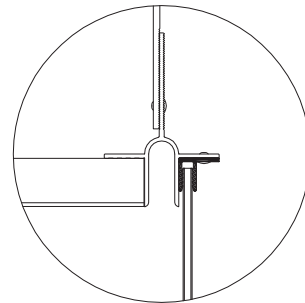
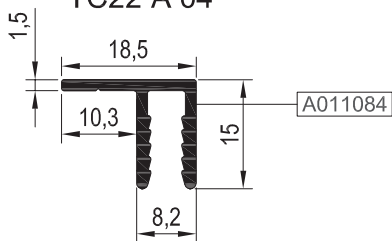
TC22 A 02



TC22 A 03



TC22 A 04



12

13

14

15

16

17

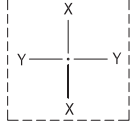
18

19

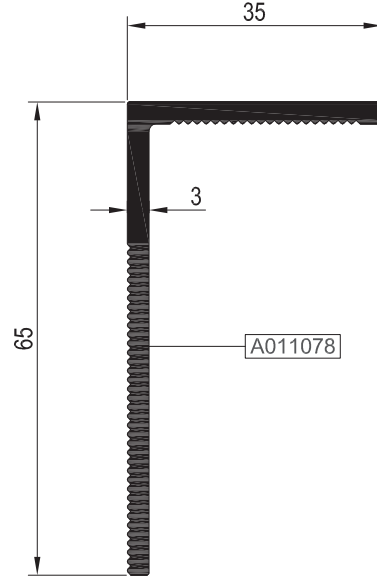
20

21

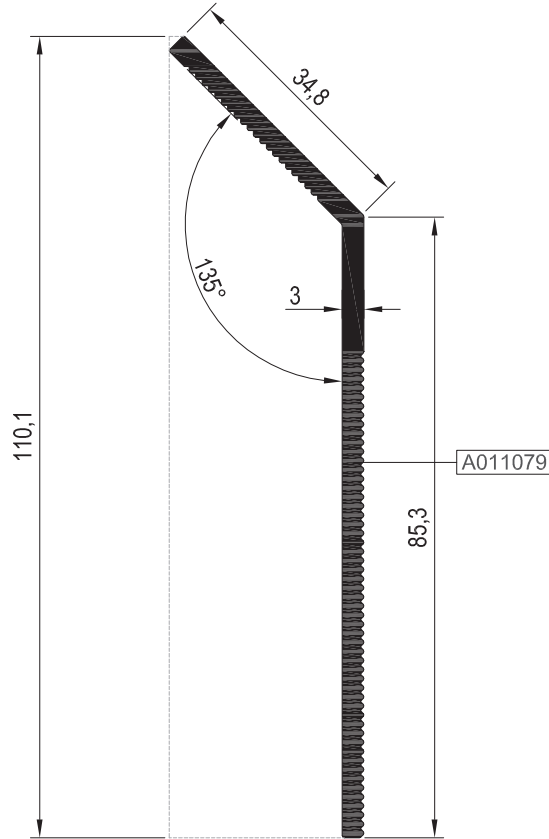
KOD / CODE	AĞIRLIK (kg/m) / WEIGHT	Jxx cm <sup>4</sup>	Jyy cm <sup>4</sup>	L m
TC22 C 01	0,750	12,327	2,651	6
TC22 C 02	0,919	35,515	1,511	6



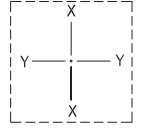
TC22 C 01



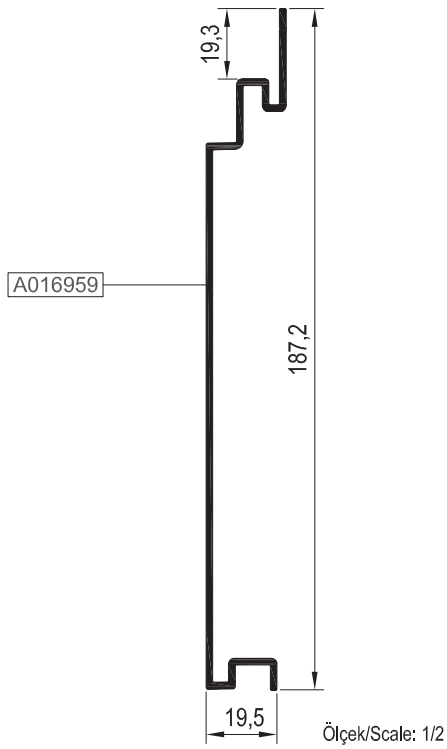
TC22 C 02



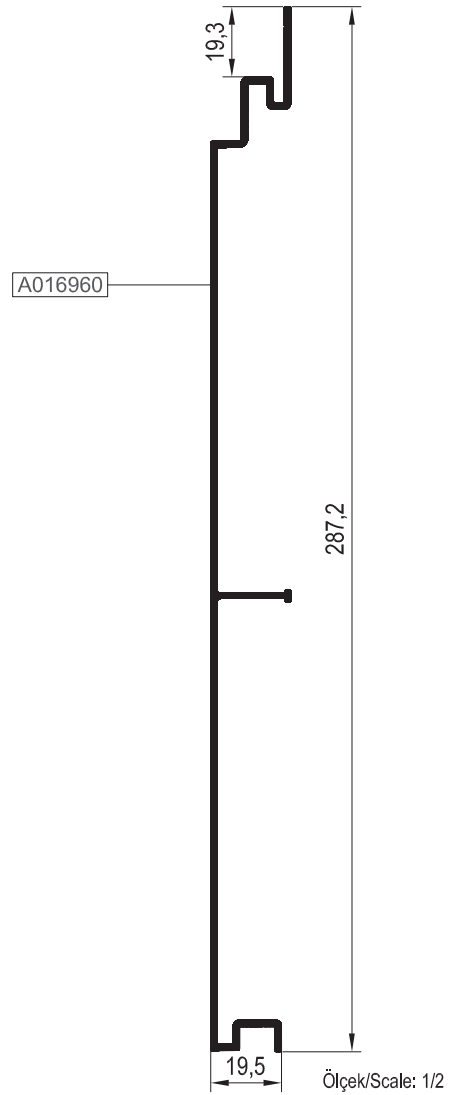
KOD / CODE	AĞIRLIK (kg/m) / WEIGHT	Jxx cm <sup>4</sup>	Jyy cm <sup>4</sup>	L m
TC22 T 03	1,221	---	---	6
TC22 T 04	1,800	---	---	6



TC22 T 03



TC22 T 04



12

13

14

15

16

17

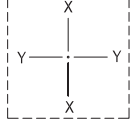
18

19

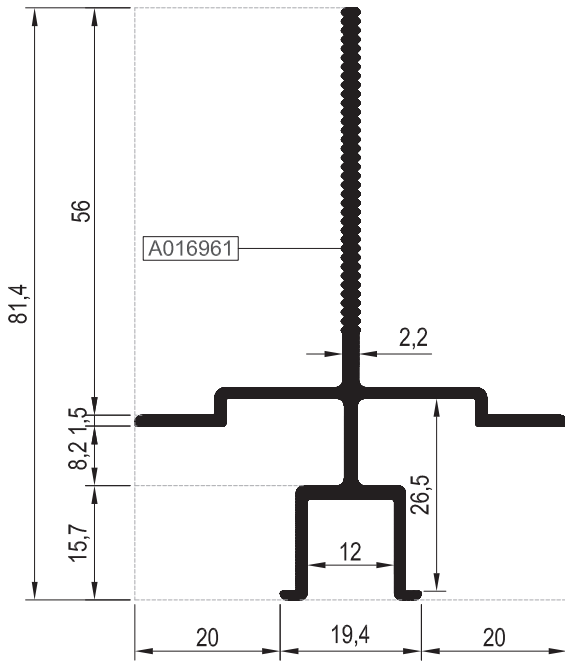
20

21

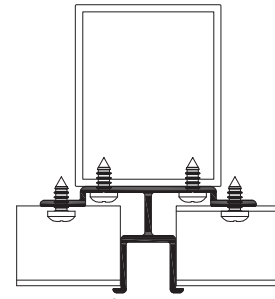
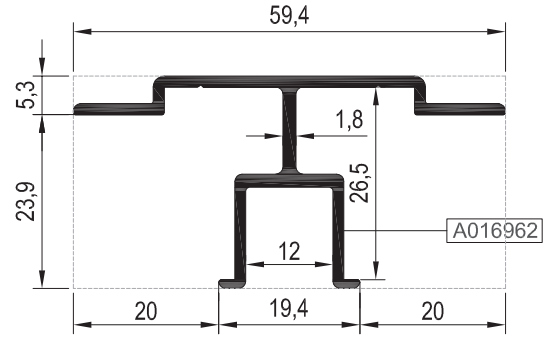
KOD / CODE	AĞIRLIK (kg/m) / WEIGHT	Jxx cm <sup>4</sup>	Jyy cm <sup>4</sup>	L m
TC22 M 08	0,838	--	--	6
TC22 M 09	0,526	--	--	6



TC22 M 08

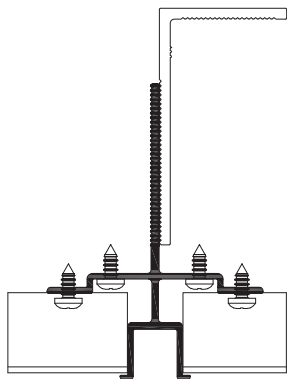


TC22 M 09



TC22 M 09

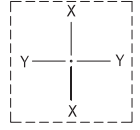
Ölçek/Scale: 1/2



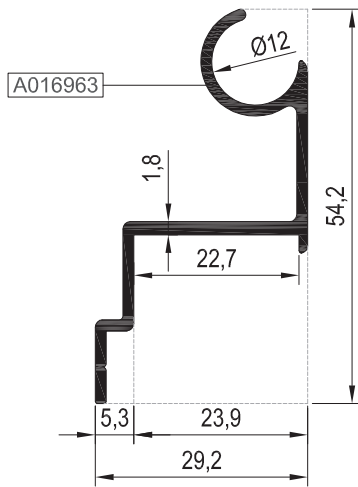
TC22 M 08

Ölçek/Scale: 1/2

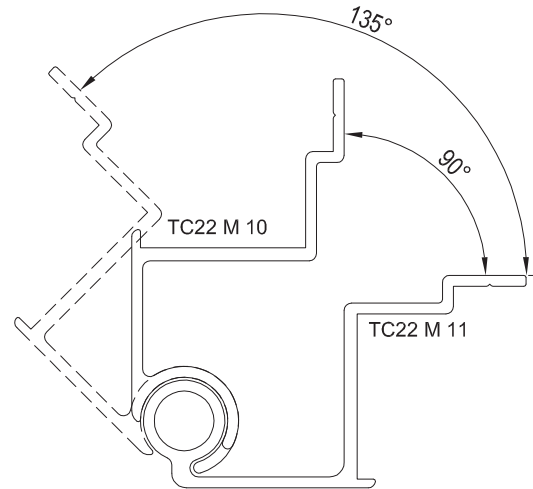
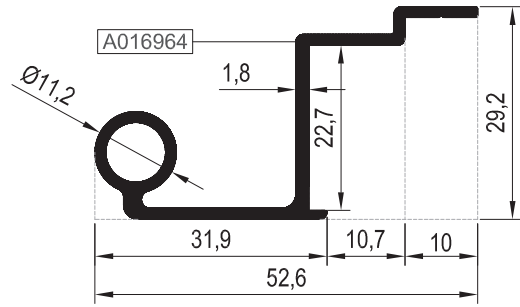
KOD / CODE	AĞIRLIK (kg/m) / WEIGHT	Jxx cm <sup>4</sup>	Jyy cm <sup>4</sup>	L m
TC22 M 10	0,439	1,625	2,917	6
TC22 M 11	0,477	3,559	1,722	6



TC22 M 10



TC22 M 11



12

13

14

15

16

17

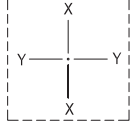
18

19

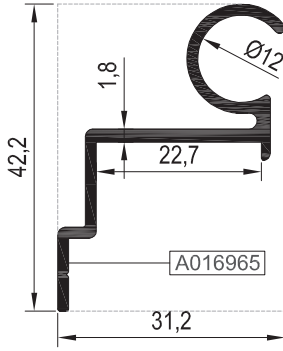
20

21

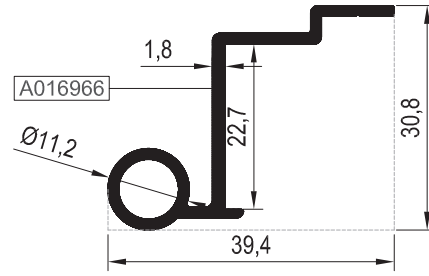
KOD / CODE	AĞIRLIK (kg/m) / WEIGHT	Jxx cm <sup>4</sup>	Jyy cm <sup>4</sup>	L m
TC22 M 12	0,385	1,412	1,499	6
TC22 M 13	0,382	1,279	1,550	6
TC22 M 14	0,573	0,858	6,532	6



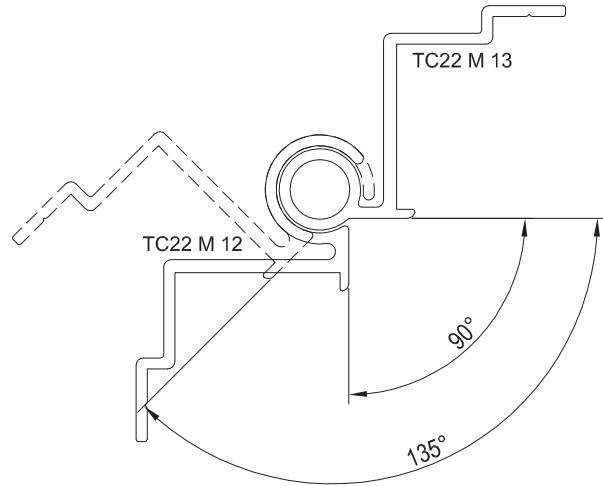
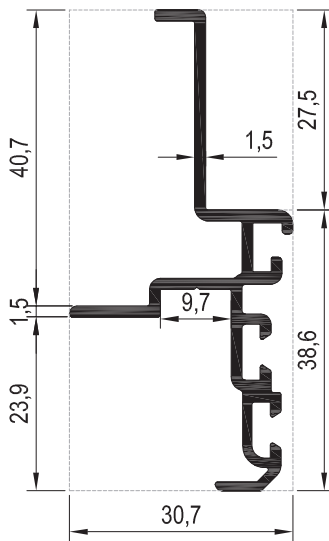
TC22 M 12



TC22 M 13



\*\*TC22 M 14



\*\*Kalıp aktif değildir. Sipariş üzerine yapılacaktır.  
The die is not active. It will be produced by order.

# MİMARİ KATALOG

## ARCHITECTURAL CATALOGUE

Alüminyum Kapı Pencere ve Giydirme Cephe Sistemleri  
Aluminium Window Doors and Facade Systems

# Rtc22

DETAYLAR

DETAILS

12

13

14

15

16

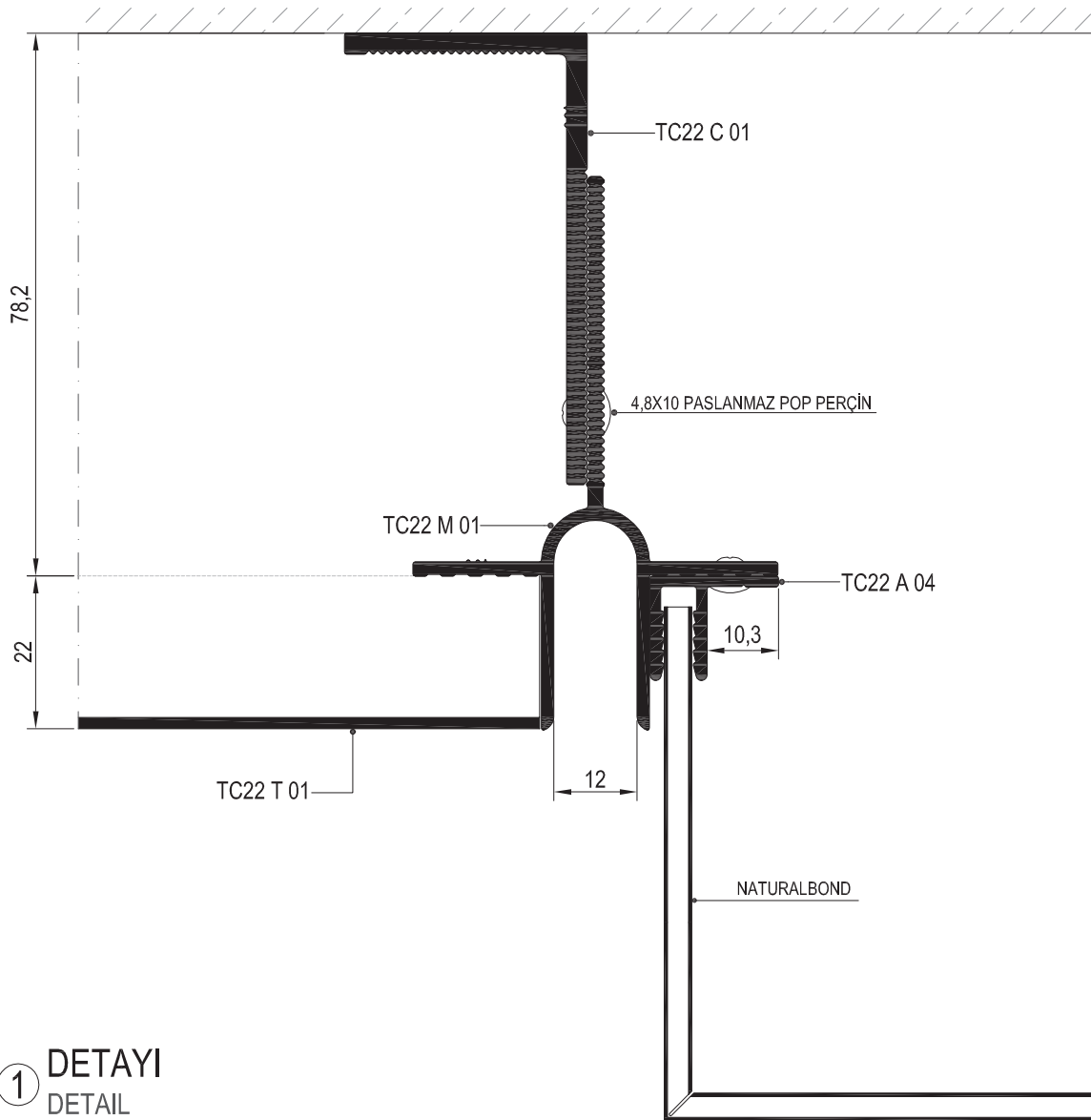
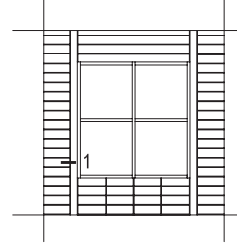
17

18

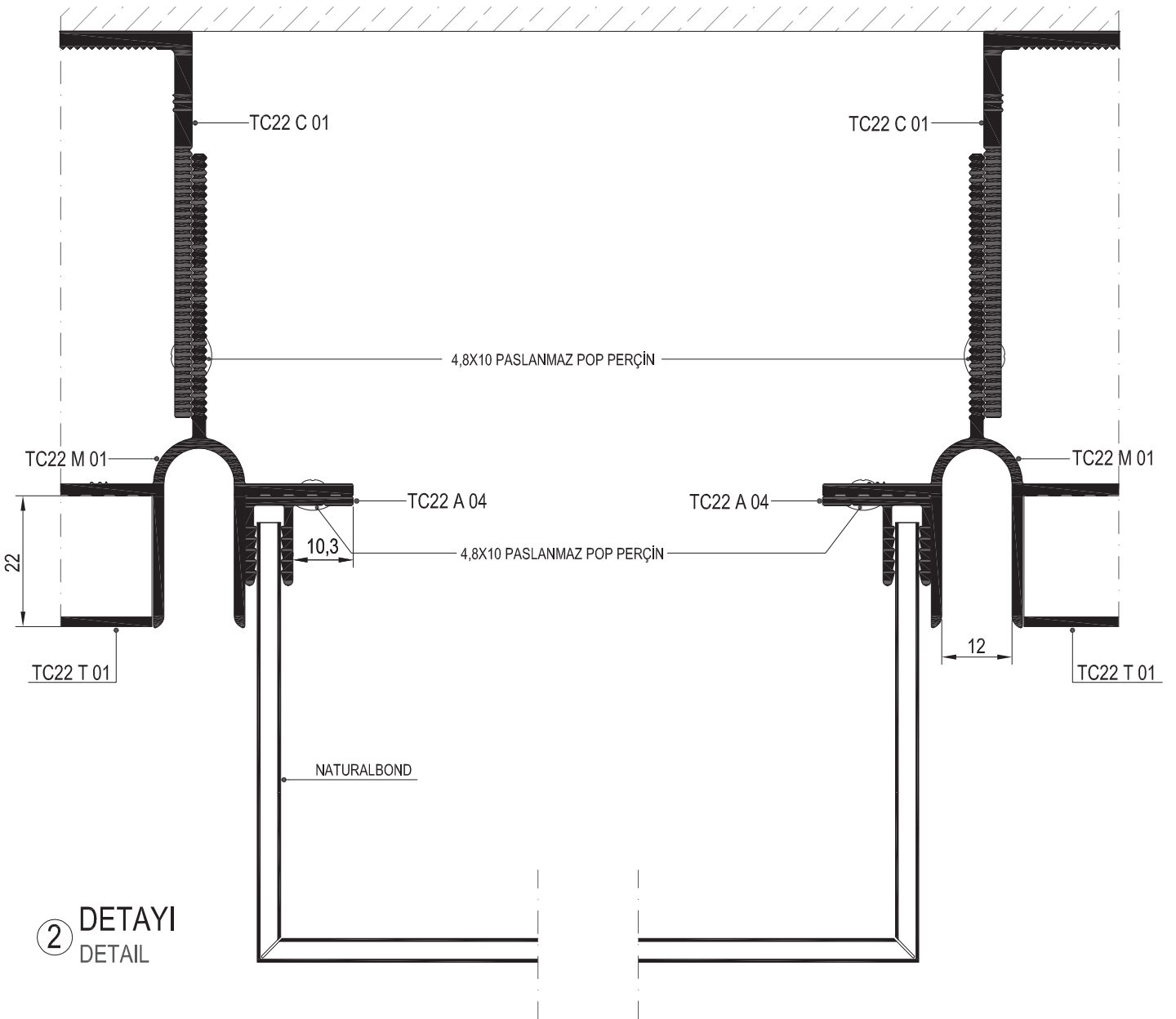
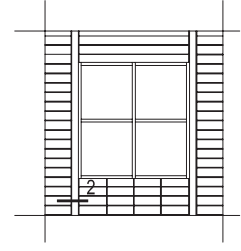
19

20

21



① DETAYI  
DETAIL



12

13

14

15

16

17

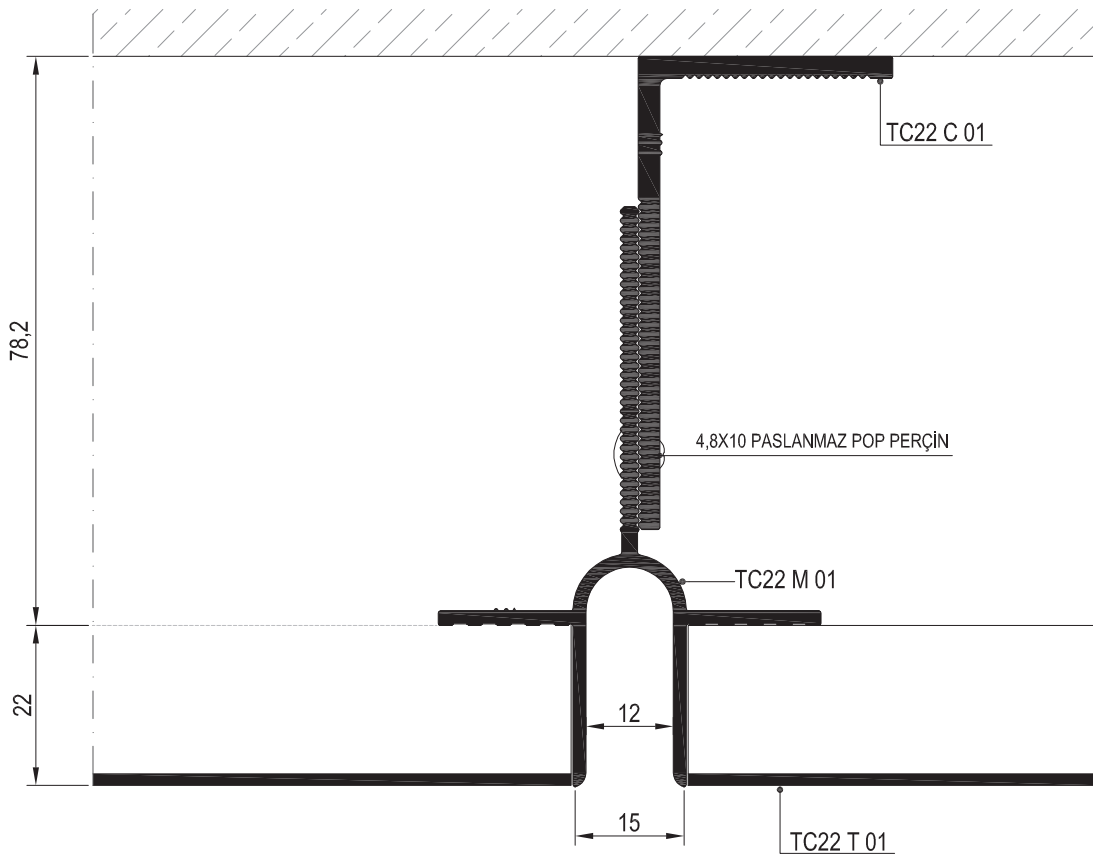
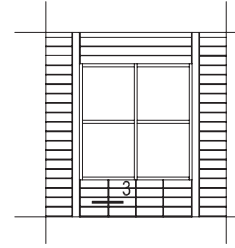
18

19

20

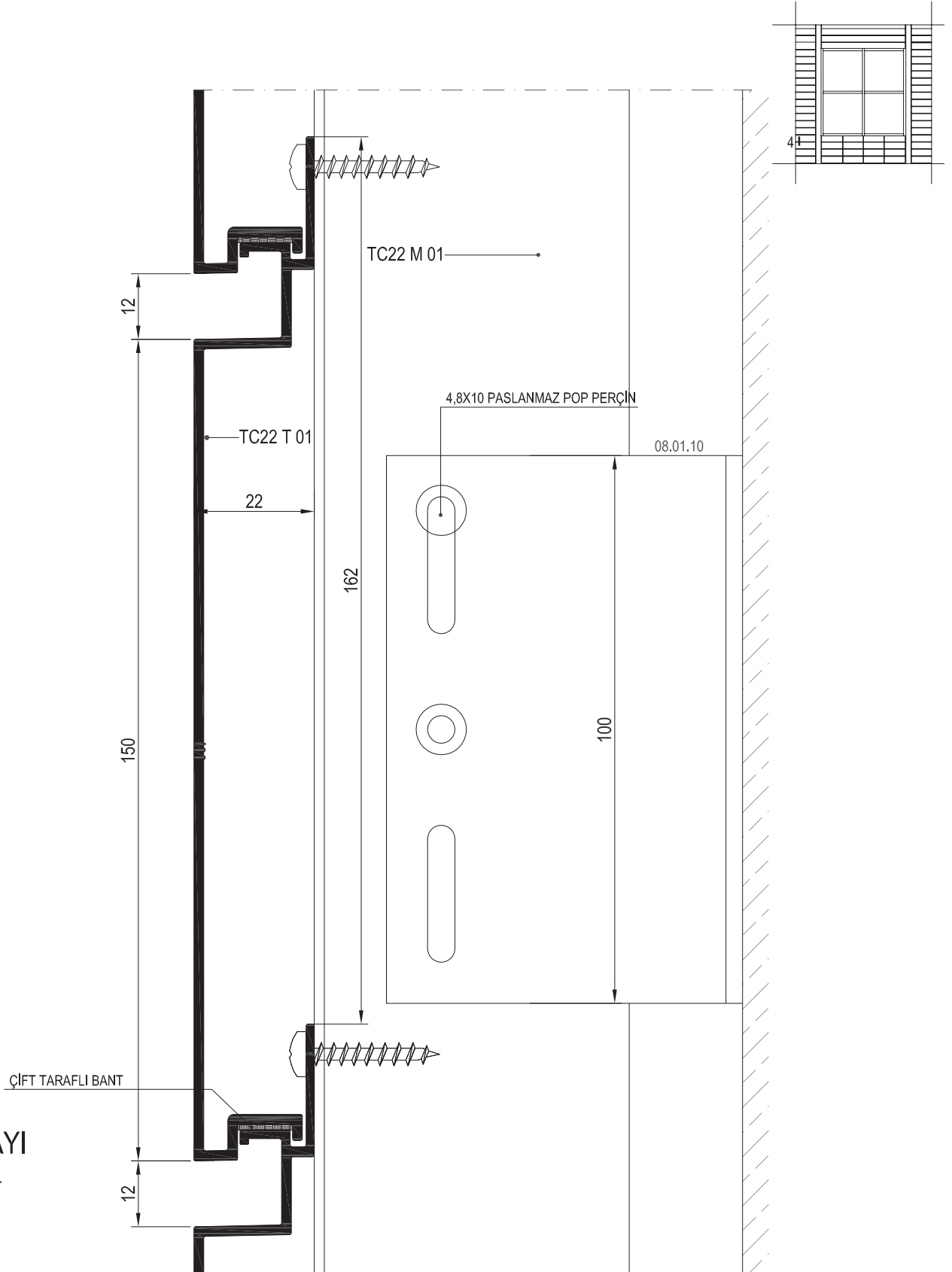
21

- 12
- 13
- 14
- 15
- 16
- 17
- 18
- 19
- 20
- 21

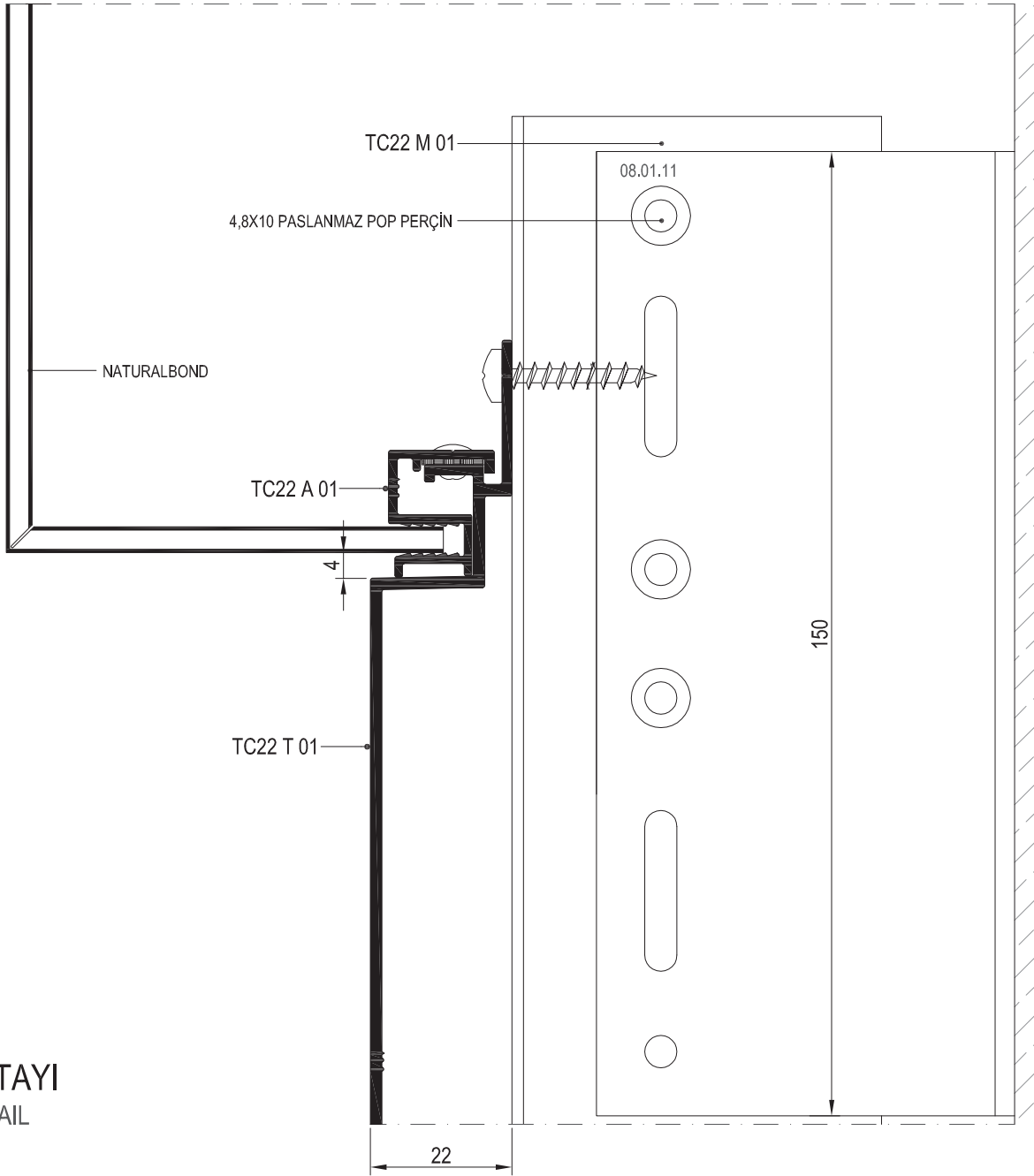
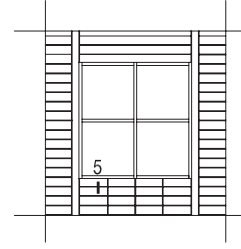


③ DETAYI  
DETAIL

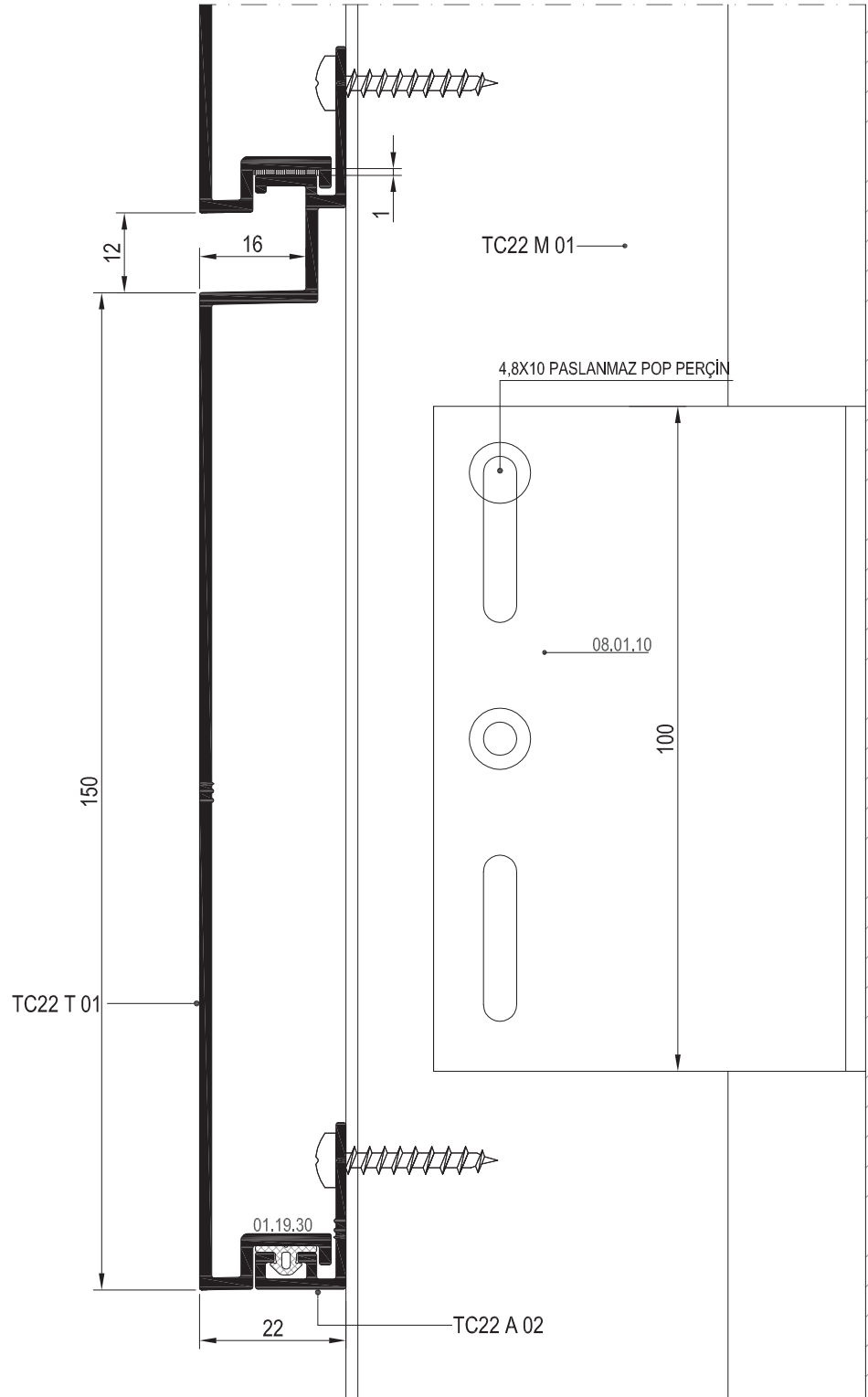
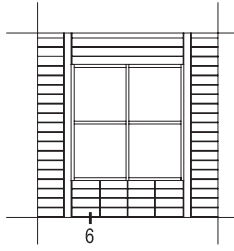
4 DETAYI  
DETAIL



- 12
- 13
- 14
- 15
- 16
- 17
- 18
- 19
- 20
- 21



⑤ DETAYI  
DETAIL



⑥ DETAYI  
DETAIL

12

13

14

15

16

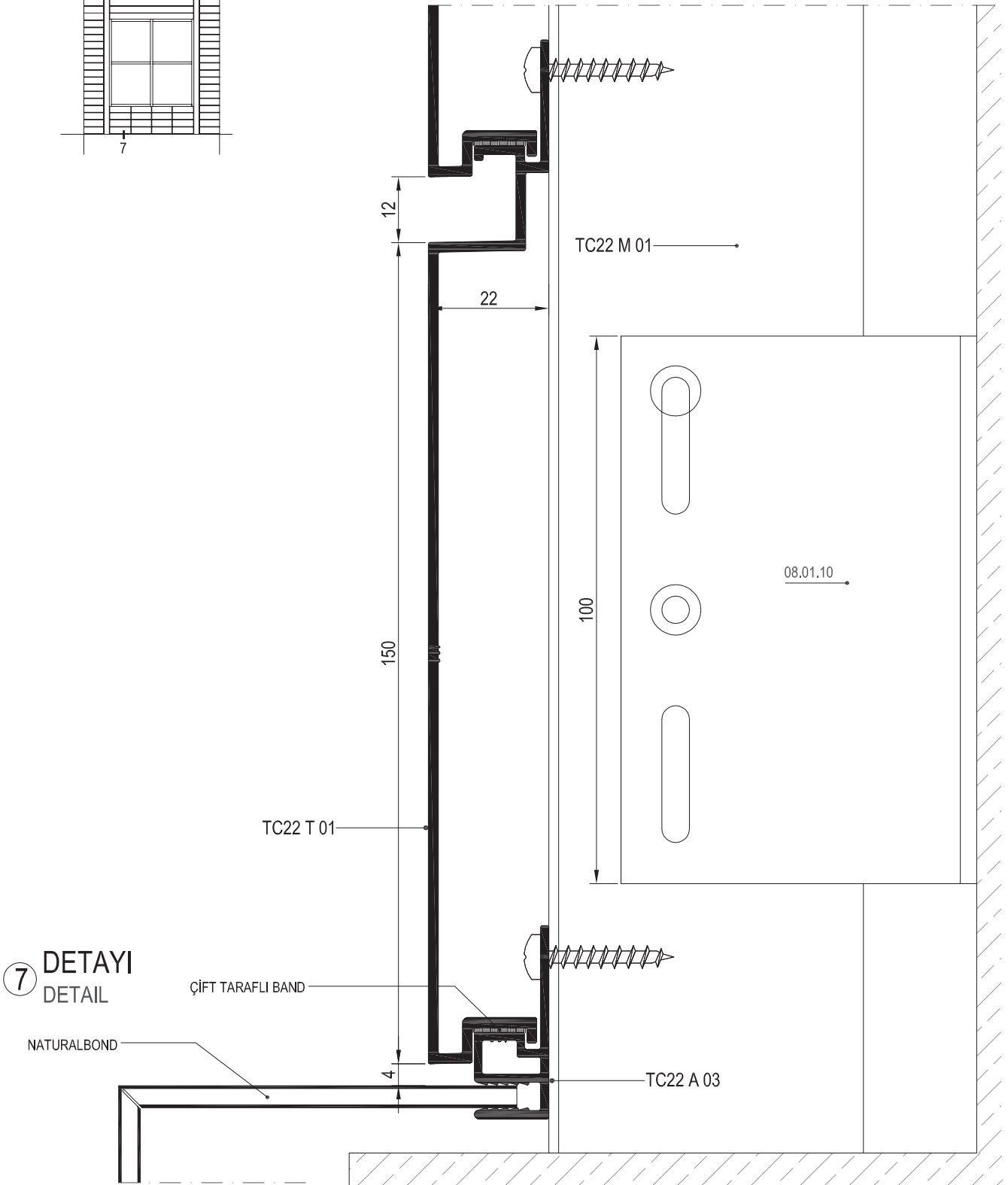
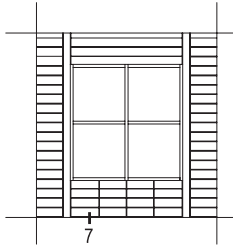
17

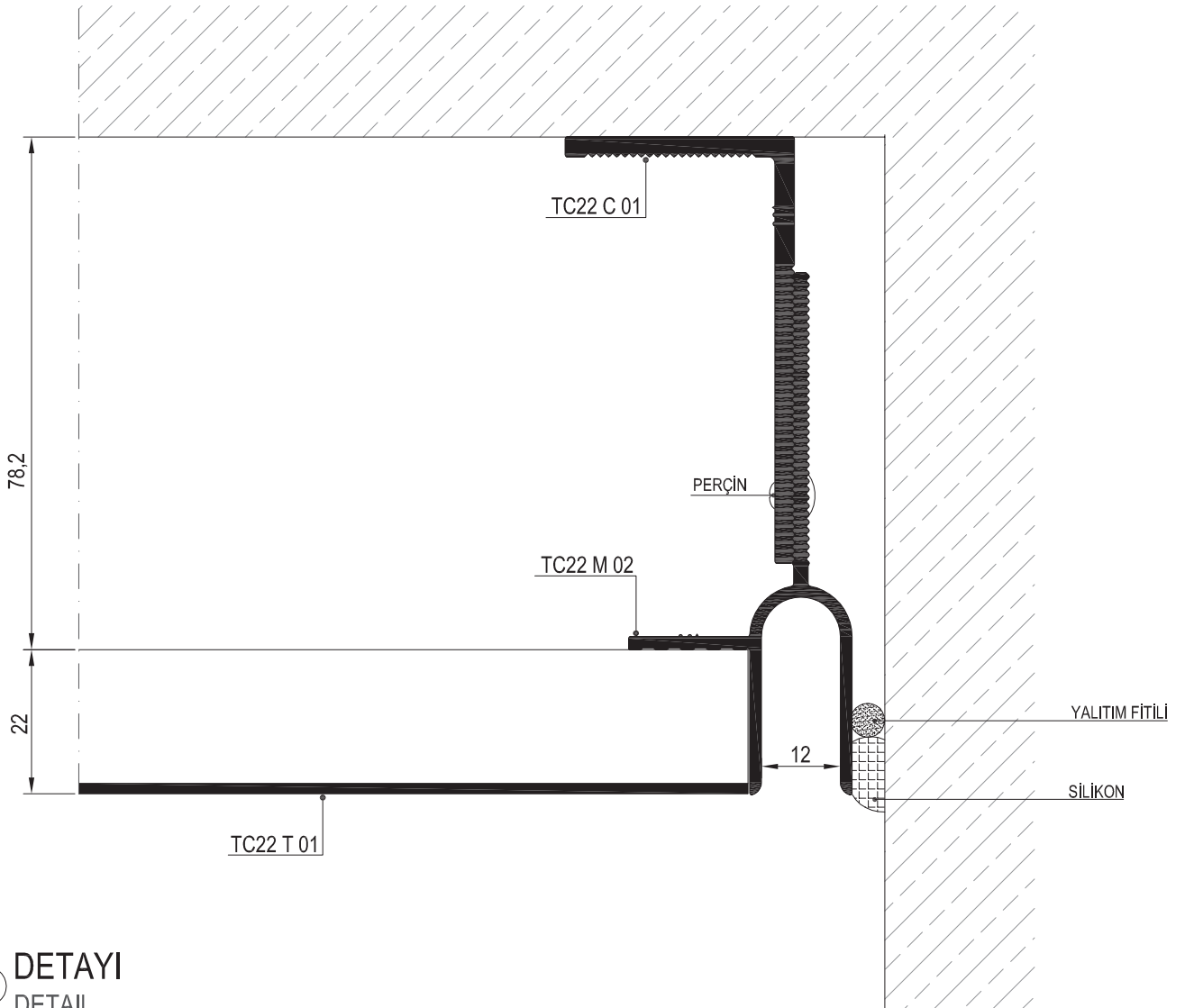
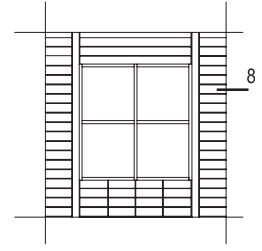
18

19

20

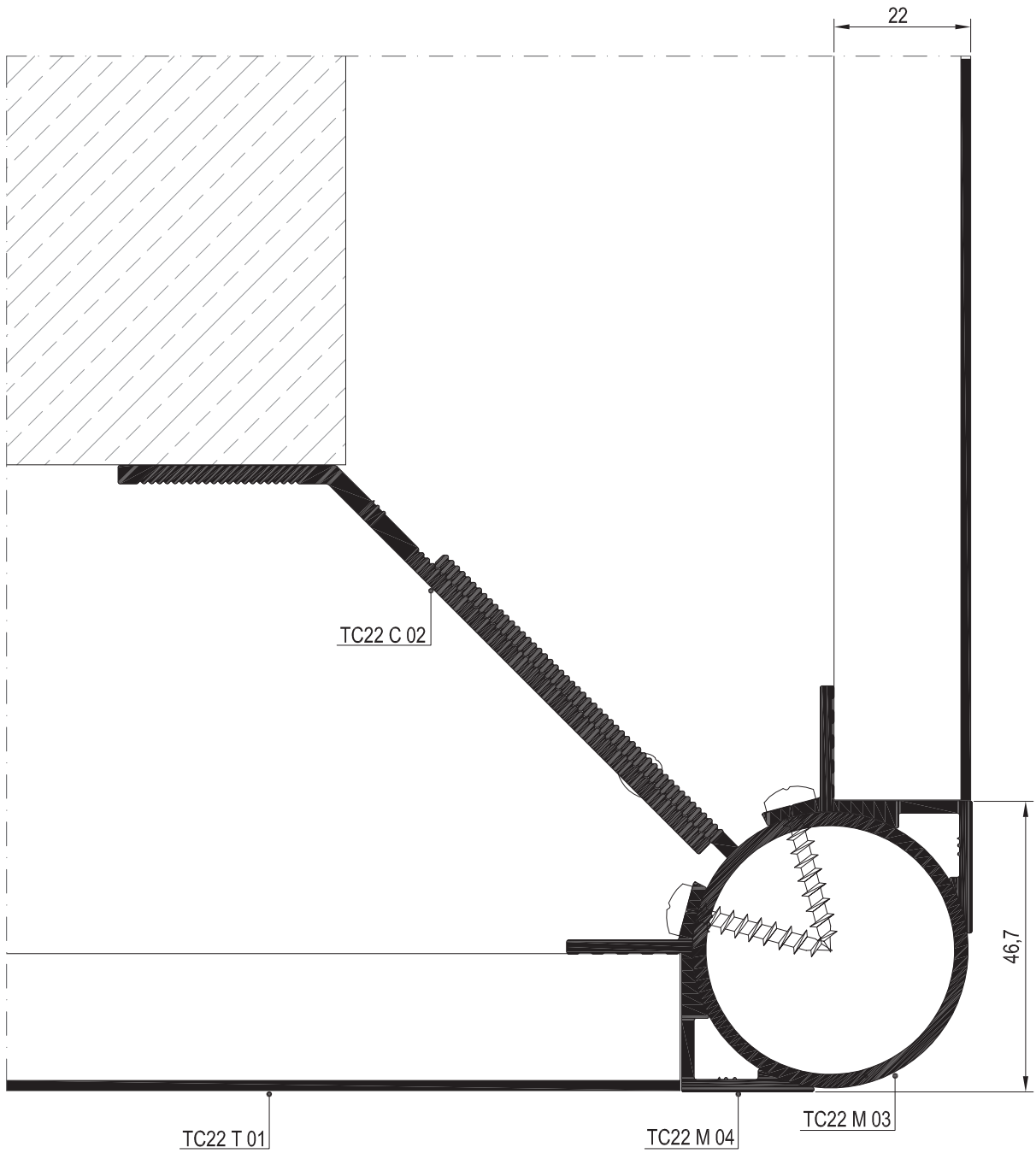
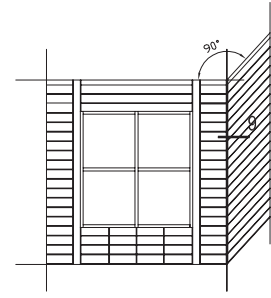
21



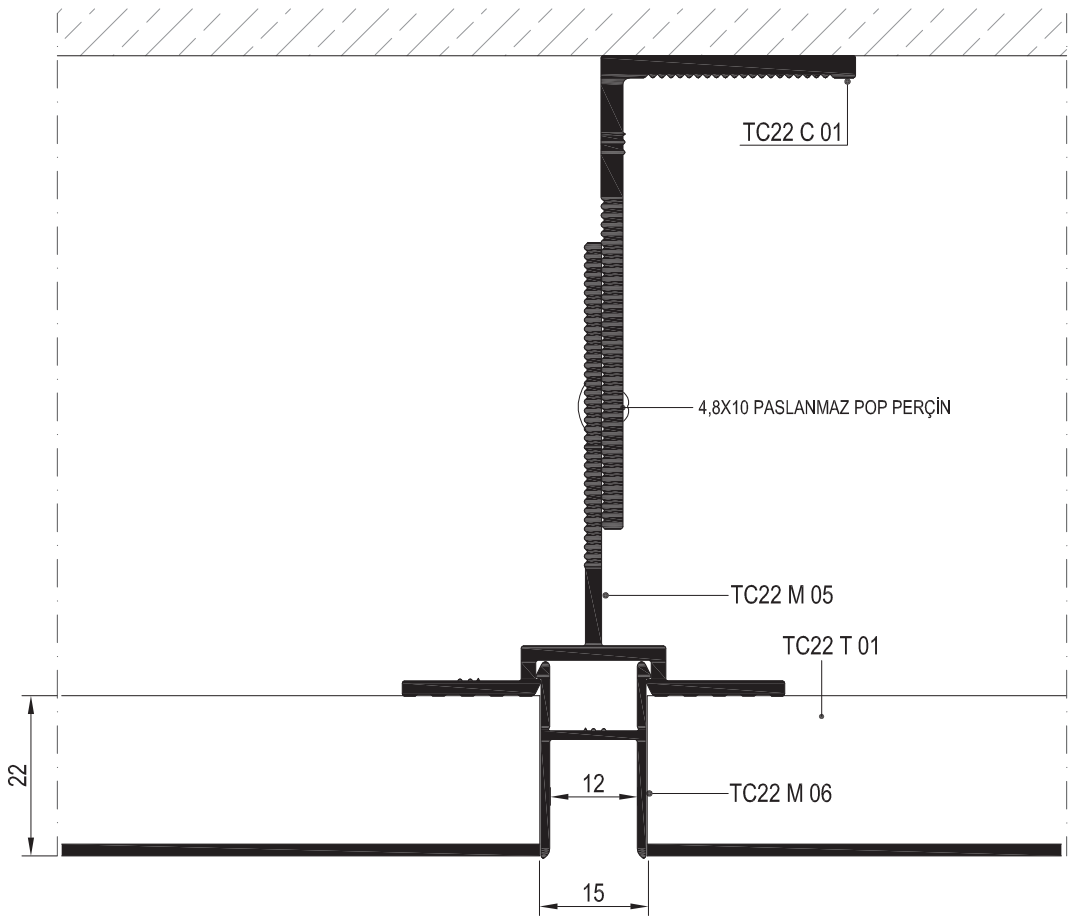
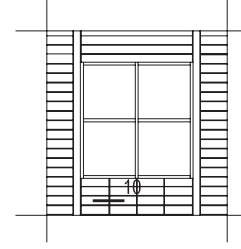


⑧ DETAYI  
DETAIL

- 12
- 13
- 14
- 15
- 16
- 17
- 18
- 19
- 20
- 21



9 DETAYI  
DETAIL



⑩ DETAYI  
DETAIL

12

13

14

15

16

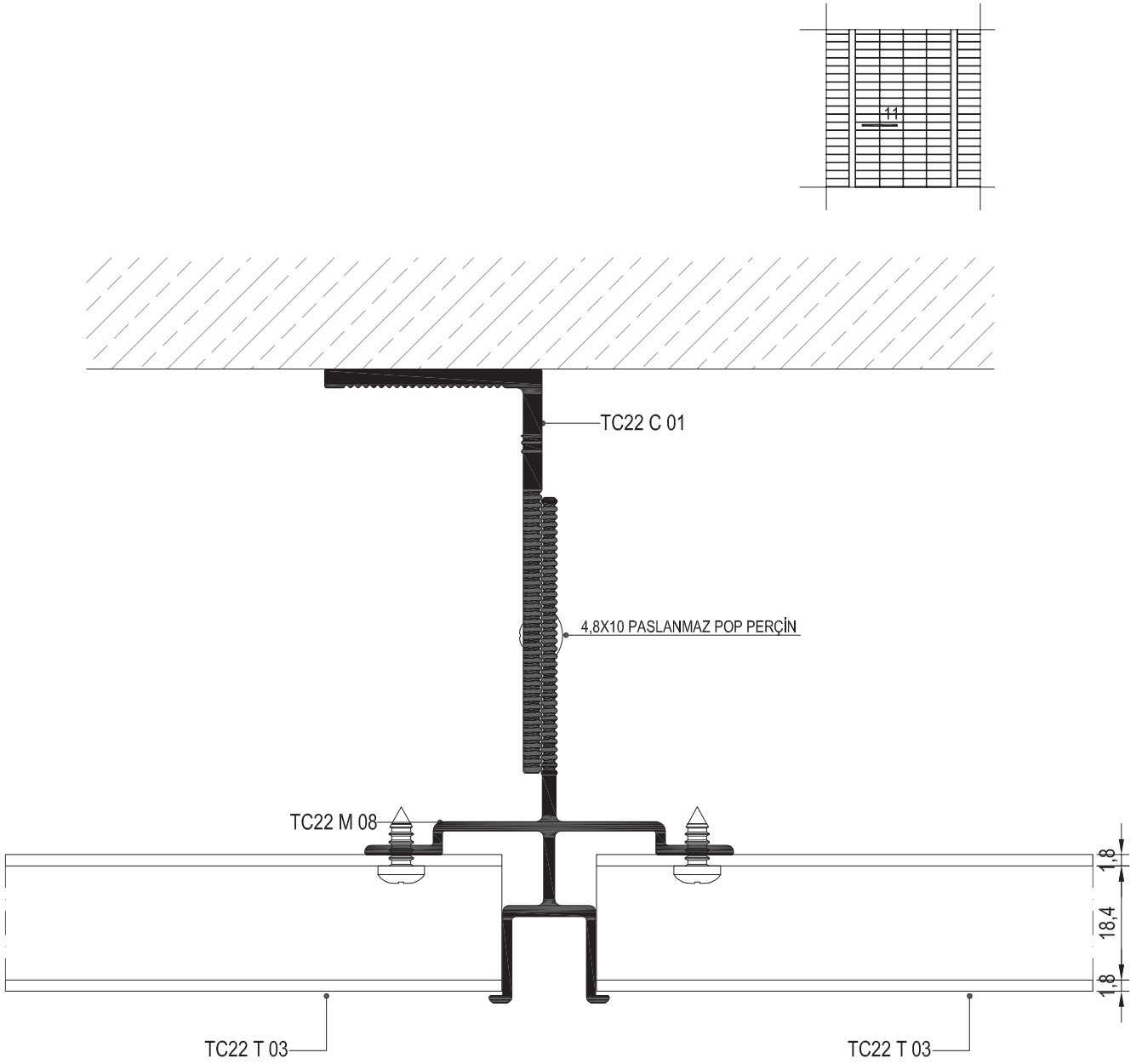
17

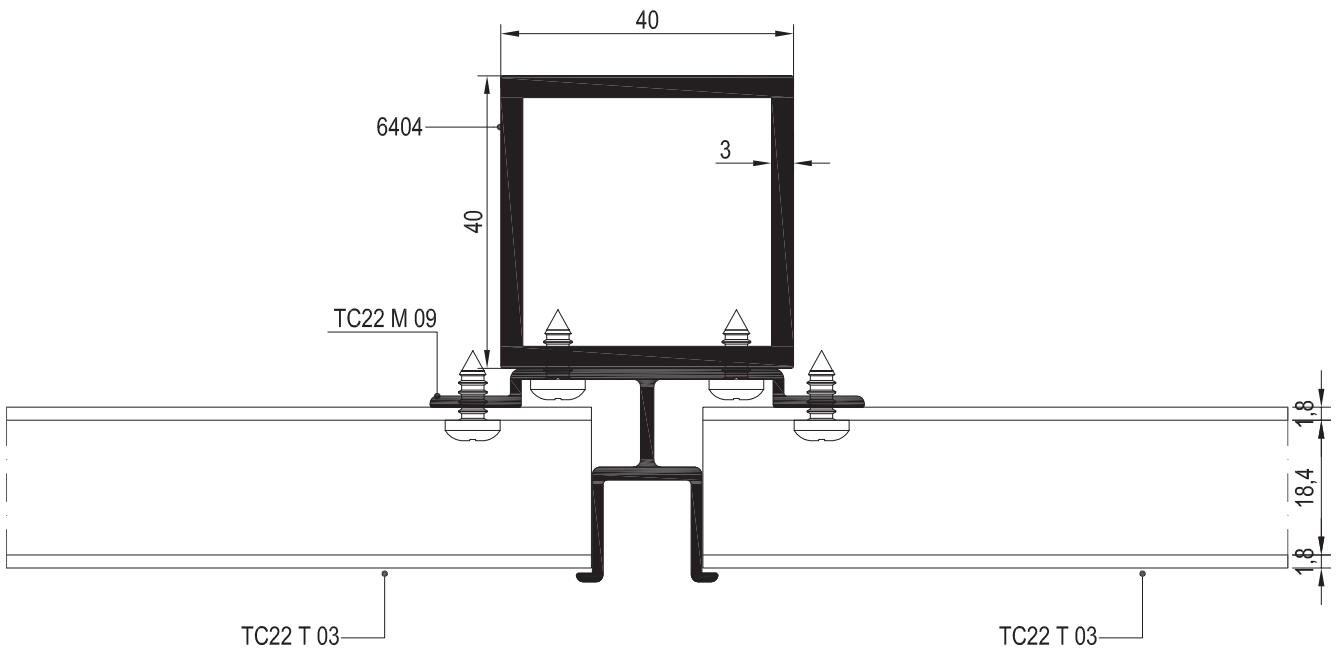
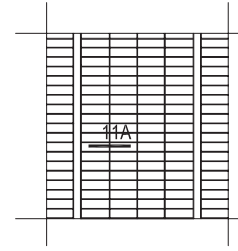
18

19

20

21





12

13

14

15

16

17

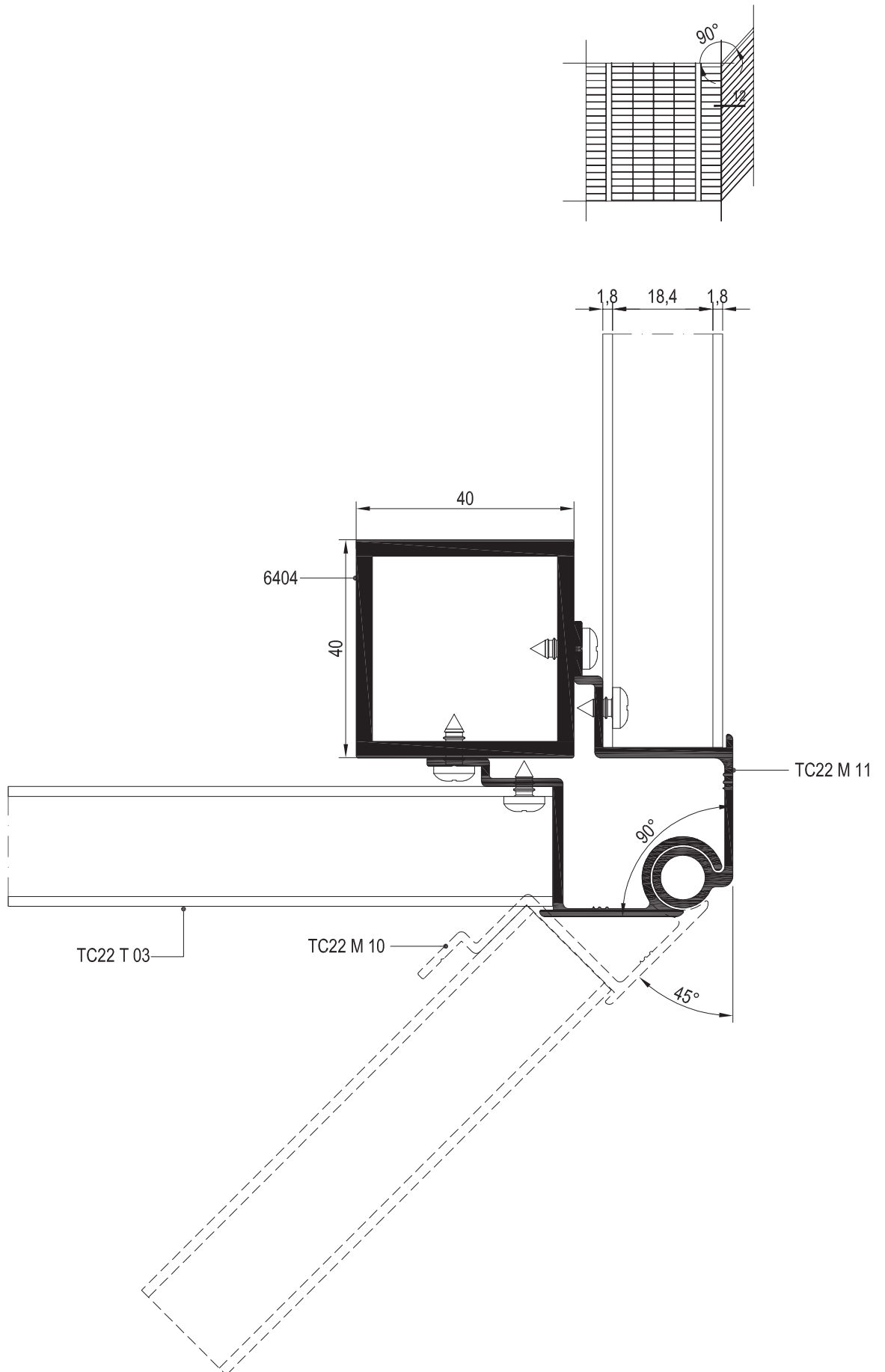
18

19

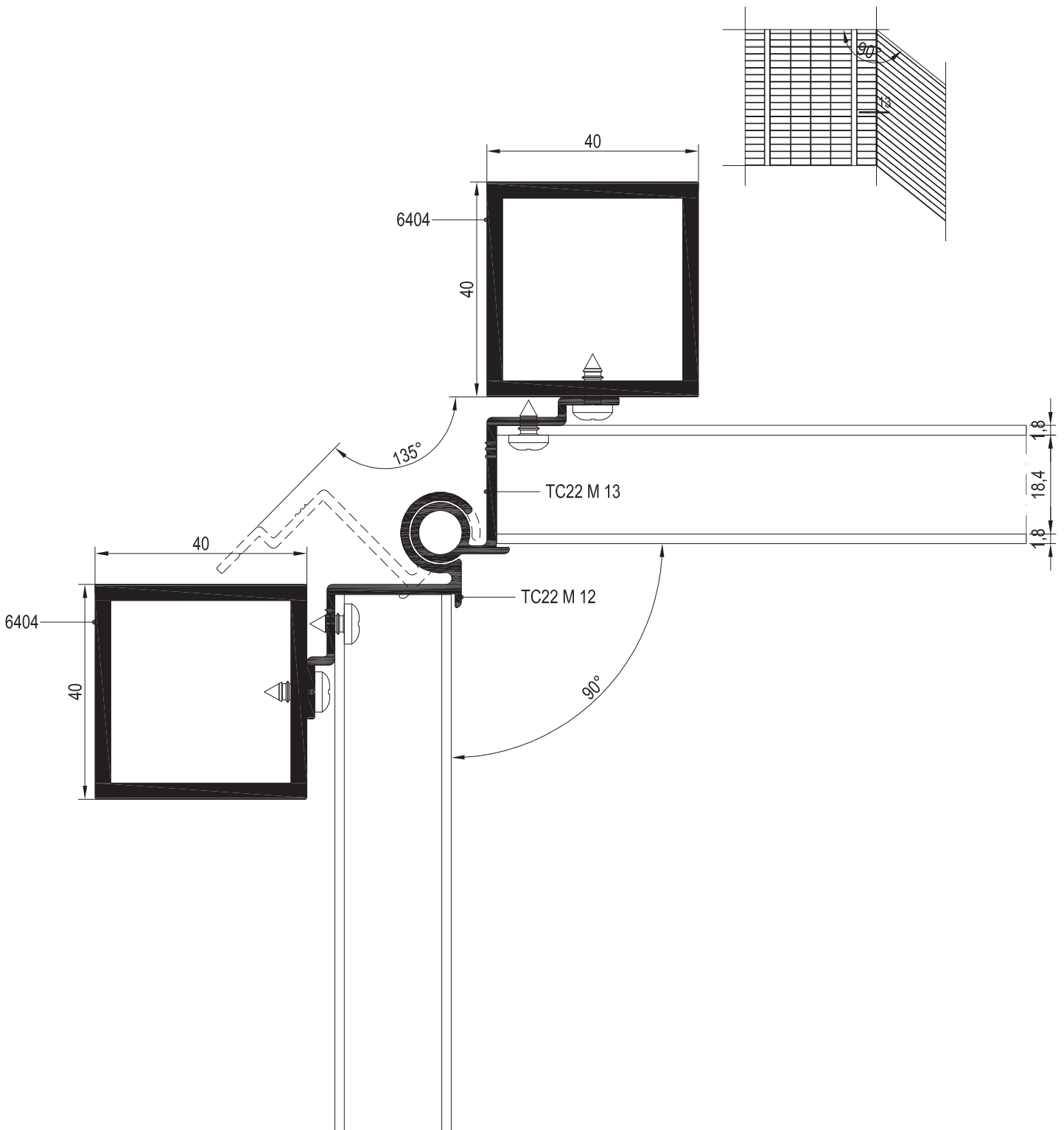
20

21

- 12
- 13
- 14
- 15
- 16
- 17
- 18
- 19
- 20
- 21



12 DETAYI  
DETAIL



12

13

14

15

16

17

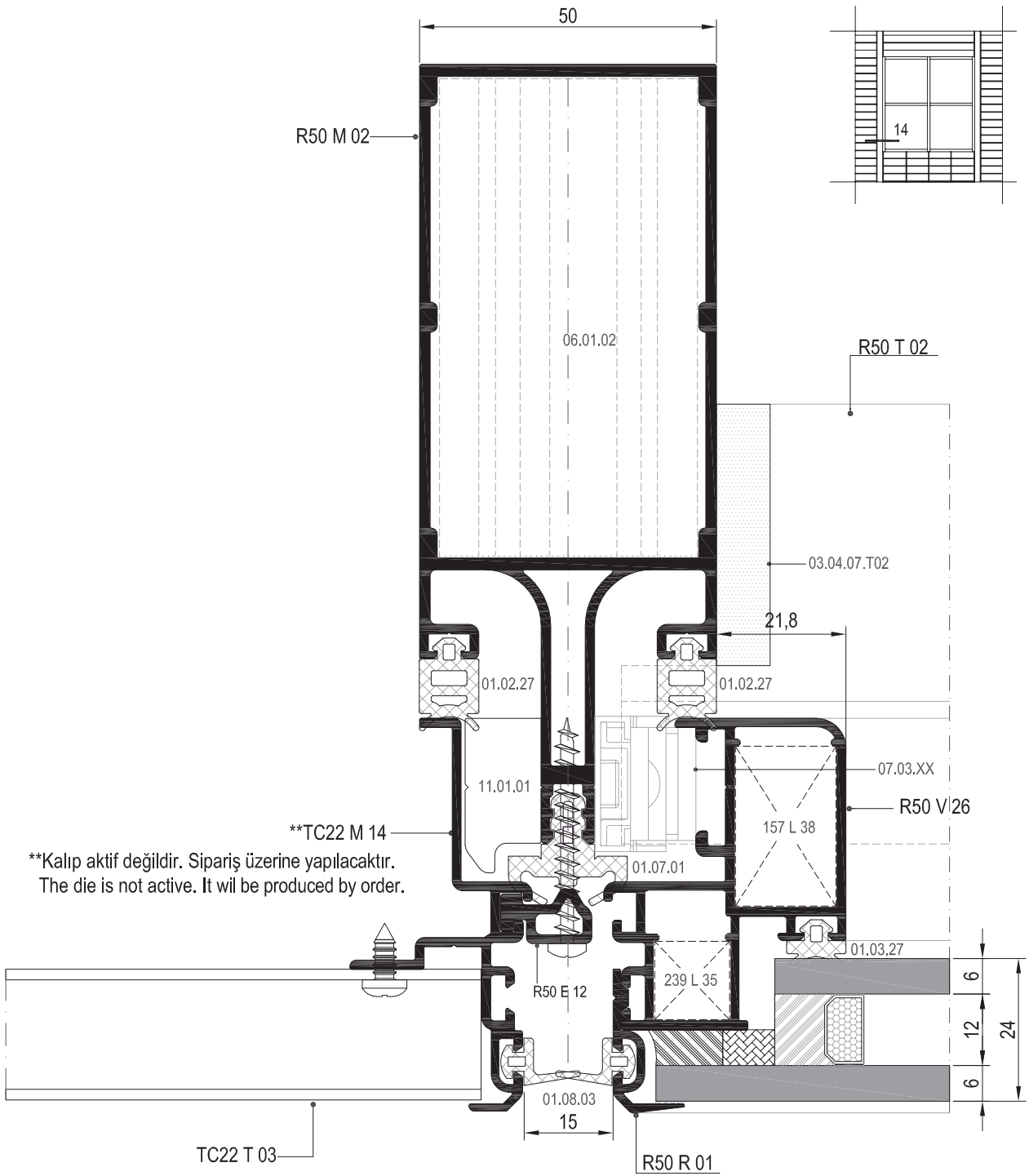
18

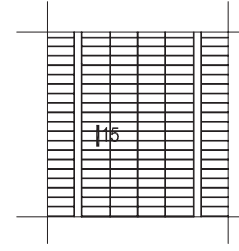
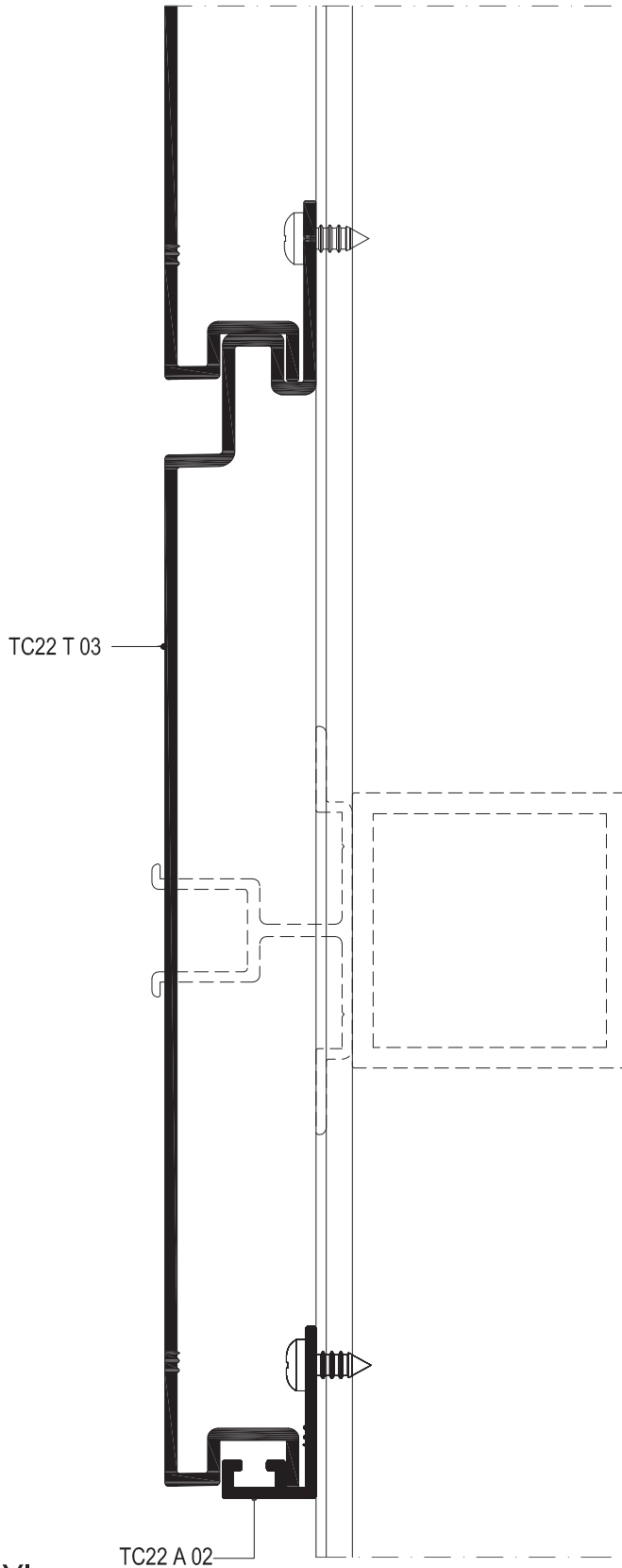
19

20

21

13 DETAYI  
DETAIL





12

13

14

15

16

17

18

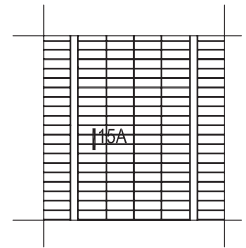
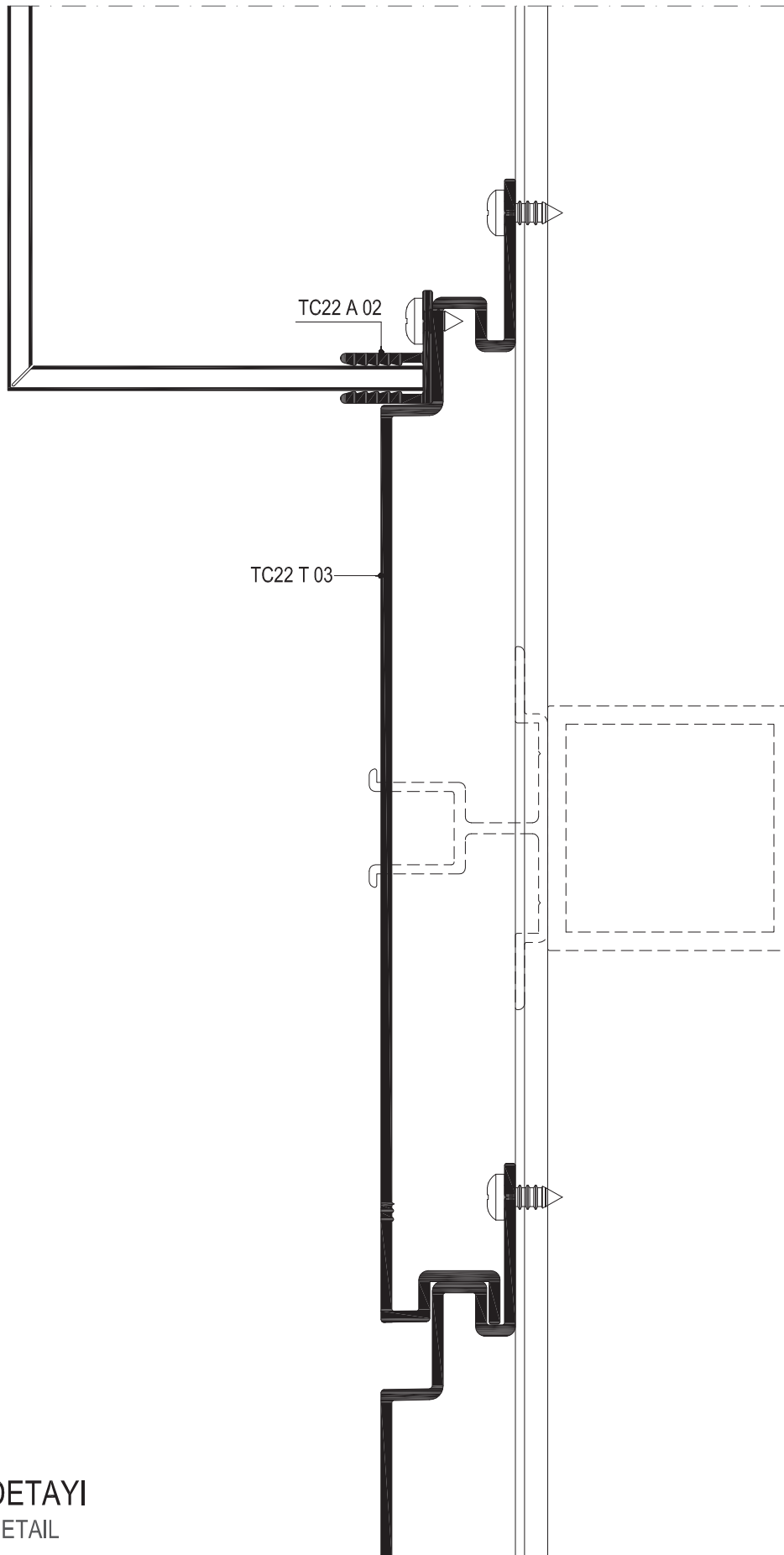
19

20

21

15 DETAYI  
DETAIL

- 12
- 13
- 14
- 15
- 16
- 17
- 18
- 19
- 20
- 21



15A DETAYI  
DETAIL

# MİMARİ KATALOG

## ARCHITECTURAL CATALOGUE

Alüminyum Kapı Pencere ve Giydirme Cephe Sistemleri  
Aluminium Window Doors and Facade Systems

# Rtc22

AKSESUARLAR

ACCESSORIES

12

13

14

15

16


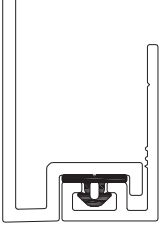
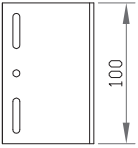
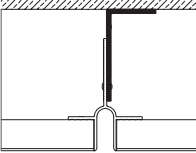
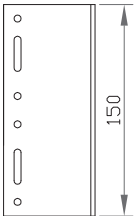
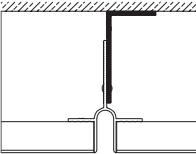
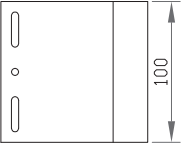
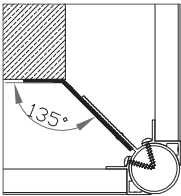
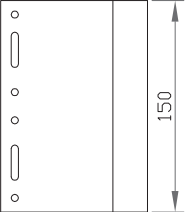
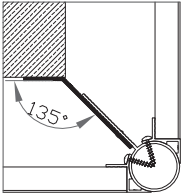
17

18

19

20

21

12		<b>01.19.30</b> B'INI FITİLİ GASKET Malzeme / Material : EPDM Ağırlık / Weight : 27 gr/m Paket / Package: 555 m / 15 kg				
13						
14		<b>08.01.10</b> 100'LÜK ANKRAJ ANCHORAGE (100)				
15						
16		<b>08.01.11</b> 150'LİK ANKRAJ ANCHORAGE (150)				
17		<b>08.01.12</b> 100'LÜK ANKRAJ ANCHORAGE (100)				
18						
19		<b>08.01.13</b> 150'LİK ANKRAJ ANCHORAGE (150)				
20						
21						