

ÇEKME KAPI KOLLARI	02	<i>PULL DOOR HANDLES</i>
MİNİ ÇEKME KAPI KOLLARI	10	<i>MINI PULL DOOR HANDLES</i>
SÜRME KAPI KOLLARI	10	<i>SLIDING DOOR HANDLES</i>
BASMA KAPI KOLLARI	11	<i>LEVER DOOR HANDLES</i>
PENCERE KOLLARI	13	<i>WINDOW HANDLES</i>
MENTEŞELER	15	<i>HINGES</i>
SÜRGÜLER	18	<i>BOLTS</i>
KİLİT KARŞILIKLARI	19	<i>LOCK STRIKERS</i>
VASİSTAS MAKAS VE AKSESUARLARI	20	<i>TRANSOM SCISSORS & ACCESSORIES</i>
ÇİFT AÇILIM SİSTEMLERİ	22	<i>TILT AND TURN SYSTEMS</i>
CAM TUTUCULAR	23	<i>GLASS HOLDERS</i>
CEPHE KARŞILIKLARI	23	<i>ADJUSTABLE STRIKERS</i>
RULMANLAR	24	<i>BALL BEARINGS</i>
ANKRAJ DEMİRLERİ	24	<i>FACADE ANCHORING IRONS</i>
ORTA KAYIT VE KÖŞE BAĞLANTILAR	25	<i>MEETING RAIL & CORNER FITTINGS</i>
ALÜMİNYUM KAPI KİLİTLERİ	26	<i>ALUMINIUM DOOR LOCKS</i>
DİĞER AKSESUARLAR	27	<i>OTHER ACCESSORIES</i>
KARE KÜPEŞTE AKSESUARLARI	28	<i>SQUARE HANDRAIL ACCESSORIES</i>
KARE KÜPEŞTE LAMALARI	33	<i>SQUARE HANDRAIL LAMAS</i>
KARE KÜPEŞTE PROFİLLERİ	34	<i>SQUARE HANDRAIL PROFILES</i>

KÖŞELİ BÜKME KOL
CURVED DOOR HANDLE

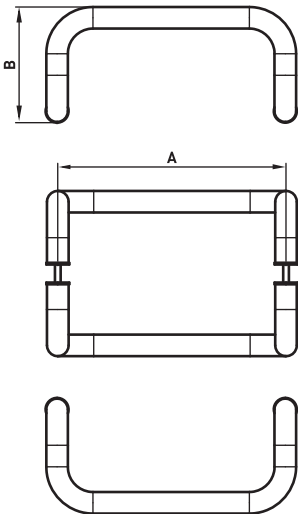
ALU 1010



KOD (CODE)	ÖLÇÜLER (SIZE)	Ø	A (mm)	B (mm)
ALU 1010	25 x 200 mm	25	200	130
ALU 1011	25 x 300 mm	25	300	130
ALU 1012	25 x 400 mm	25	400	130
ALU 1013	25 x 500 mm	35	500	160
ALU 1014	30 x 300 mm	30	300	160
ALU 1015	30 x 350 mm	30	350	160

* A istenen ölçüde üretilebilir.
* A can be manufactured in required size.

TEKNİK ÇİZİM / TECHNICAL DRAWING



V KOL
V TYPE DOOR HANDLE

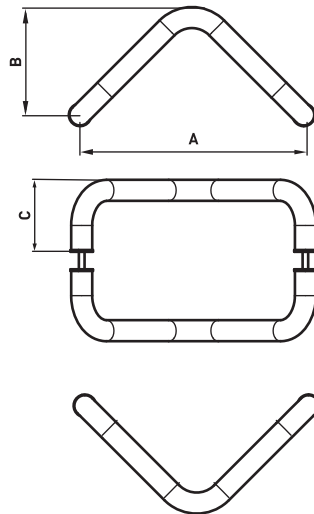
ALU 1020



KOD (CODE)	ÖLÇÜLER (SIZE)	Ø	A (mm)	B (mm)	C (mm)
ALU 1020	25 x 200 mm	25	200	130	80
ALU 1021	25 x 250 mm	25	250	130	80
ALU 1022	25 x 300 mm	25	300	130	80
ALU 1023	30 x 300 mm	30	300	160	100
ALU 1024	30 x 400 mm	30	400	160	100

* A istenen ölçüde üretilebilir.
* A can be manufactured in required size.

TEKNİK ÇİZİM / TECHNICAL DRAWING



YARIMAY KOL
HALF MOON ANGLED DOOR HANDLE

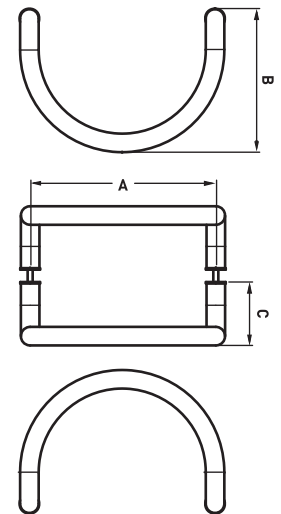
ALU 1030



KOD (CODE)	ÖLÇÜLER (SIZE)	Ø	A (mm)	B (mm)	C (mm)
ALU 1030	25 x 200 mm	25	200	130	80
ALU 1031	25 x 300 mm	25	300	130	80
ALU 1032	30 x 300 mm	30	300	160	100
ALU 1033	30 x 350 mm	30	350	160	100

* A istenen ölçüde üretilebilir.
* A can be manufactured in required size.

TEKNİK ÇİZİM / TECHNICAL DRAWING



ÇEKME KAPI KOLLARI

PULL DOOR HANDLES

YARIMAY KOL - DÖKÜM

HALF MOON DOOR HANDLE - **BULK**

ALU 1038



KOD CODE	ÖLÇÜLER SIZE	Ø	A _(mm)	B _(mm)	C _(mm)
ALU 1038	25 x 200 mm	25	200	180	80

BASTON KOL

STICK TYPE DOOR HANDLE

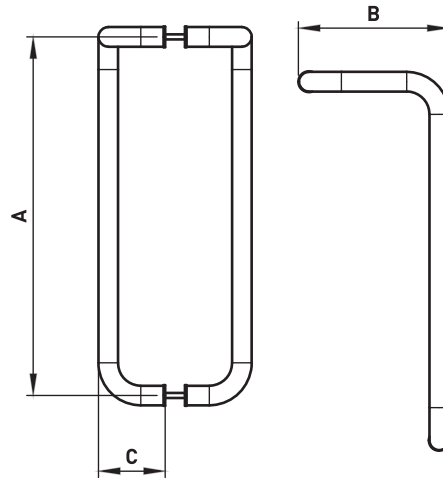
ALU 1040



KOD CODE	ÖLÇÜLER SIZE	Ø	A _(mm)	B _(mm)	C _(mm)
ALU 1040	25 x 900 mm	25	900	180	80
ALU 1041	25 x 1000 mm	25	1000	180	80
ALU 1042	30 x 900 mm	30	900	200	100
ALU 1043	30 x 1000 mm	30	1000	200	100

* A istenen ölçüde üretilebilir.
* A can be manufactured in required size.

TEKNİK ÇİZİM / TECHNICAL DRAWING



S KOL

S TYPE DOOR HANDLE

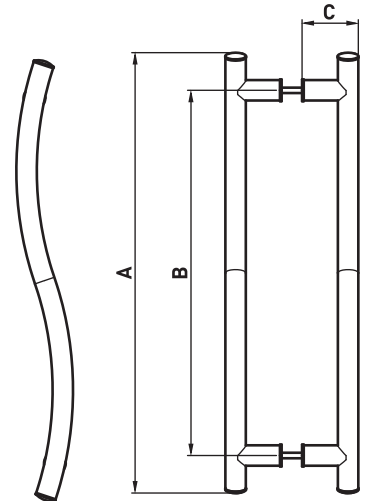
ALU 1050



KOD CODE	ÖLÇÜLER SIZE	Ø	A _(mm)	B _(mm)	C _(mm)
ALU 1050	30 x 760 mm	30	760	700	80
ALU 1051	25 x 860 mm	30	860	800	80
ALU 1052	30 x 960 mm	30	960	900	100
ALU 1053	30 x 1060 mm	30	1060	1000	100

* A istenen ölçüde üretilebilir.
* A can be manufactured in required size.

TEKNİK ÇİZİM / TECHNICAL DRAWING



YARIMAY KOL - DÖKÜM

HALF MOON DOOR HANDLE - **BULK**

ALU 1039



KOD CODE	ÖLÇÜLER SIZE	Ø	A _(mm)	B _(mm)	C _(mm)
ALU 1039	25 x 200 mm	25	200	180	80

U KOL
U TYPE DOOR HANDLE

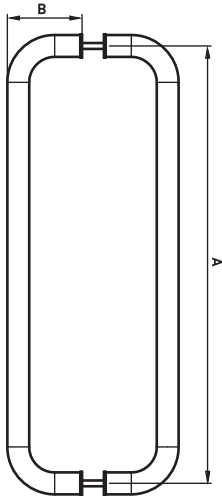
ALU 1060



KOD (CODE)	ÖLÇÜLER (SIZE)	Ø	A _(mm)	B _(mm)
ALU 1060	20 x 200 mm	20	200	80
ALU 1061	25 x 200 mm	25	200	80
ALU 1062	25 x 300 mm	25	300	80
ALU 1063	30 x 300 mm	30	300	100
ALU 1064	30 x 400 mm	30	400	100

* A istenen ölçüde üretilebilir.
* A can be manufactured in required size.

TEKNİK ÇİZİM / TECHNICAL DRAWING



YAY KOL
ARC TYPE DOOR HANDLE

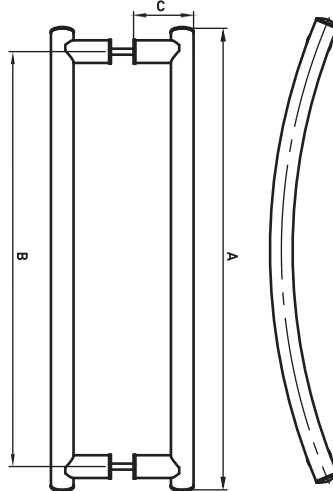
ALU 1070



KOD (CODE)	ÖLÇÜLER (SIZE)	Ø	A _(mm)	B _(mm)	C _(mm)
ALU 1070	30 x 400 mm	30	400	350	80
ALU 1071	30 x 500 mm	30	500	450	80
ALU 1072	30 x 600 mm	30	600	550	80
ALU 1073	30 x 700 mm	30	700	650	80
ALU 1074	30 x 800 mm	30	800	750	80

* A istenen ölçüde üretilebilir.
* A can be manufactured in required size.

TEKNİK ÇİZİM / TECHNICAL DRAWING



AÇILI H KOL
ANGULAR H TYPE DOOR HANDLE

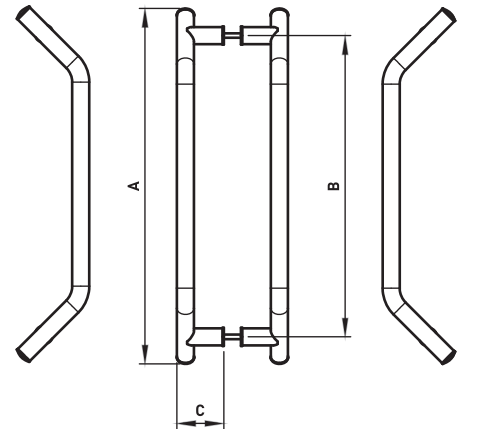
ALU 1080



KOD (CODE)	ÖLÇÜLER (SIZE)	Ø	A _(mm)	B _(mm)	C _(mm)
ALU 1080	30 x 800 mm	30	800	600	80
ALU 1081	30 x 900 mm	30	900	700	80
ALU 1082	30 x 1000 mm	30	1000	800	80
ALU 1083	30 x 1200 mm	30	1200	1000	80

* A istenen ölçüde üretilebilir.
* A can be manufactured in required size.

TEKNİK ÇİZİM / TECHNICAL DRAWING



ÇEKME KAPI KOLLARI

PULL DOOR HANDLES

H KOL

H TYPE DOOR HANDLE

ALU 1090



AHŞAP DESENLİ H KOL

H TYPE DOOR HANDLE - WOODEN PATTERNED

ALU 1100



PLEKSİ H KOL

H TYPE DOOR HANDLE - PLEXI

ALU 1110

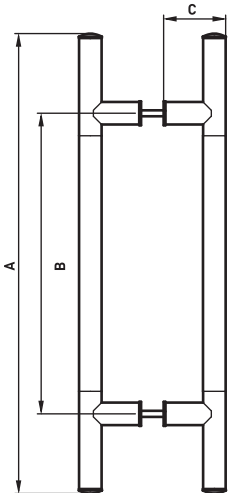


KOD	CODE	ÖLÇÜLER	SIZE	Ø	A _(mm)	B _(mm)	C _(mm)
ALU 1090		30 x 400 mm		30	400	300	80
ALU 1091		30 x 500 mm		30	500	400	80
ALU 1092		30 x 600 mm		30	600	500	80
ALU 1093		30 x 700 mm		30	700	600	80
ALU 1094		30 x 800 mm		30	800	700	80

* A istenen ölçüde üretilebilir.

* A can be manufactured in required size.

TEKNİK ÇİZİM / TECHNICAL DRAWING



KOD	CODE	ÖLÇÜLER	SIZE	Ø	A _(mm)	B _(mm)	C _(mm)
ALU 1100		30 x 800 mm		30	800	600	80
ALU 1101		30 x 900 mm		30	900	700	80
ALU 1102		30 x 1200 mm		30	1200	1000	80
ALU 1103		30 x 1500 mm		30	1500	1200	80

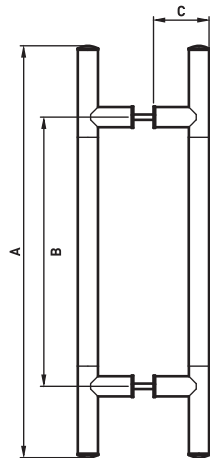
AHŞAP
DESENLER



* A istenen ölçüde üretilebilir.

* A can be manufactured in required size.

TEKNİK ÇİZİM / TECHNICAL DRAWING

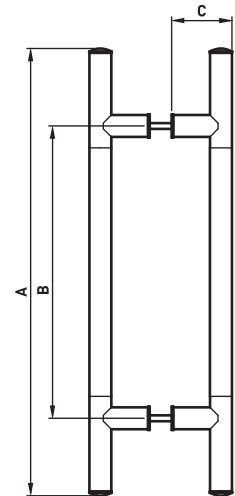


KOD	CODE	ÖLÇÜLER	SIZE	Ø	A _(mm)	B _(mm)	C _(mm)
ALU 1110		30 x 600 mm		30	600	400	80
ALU 1111		30 x 800 mm		30	800	600	80
ALU 1112		30 x 1200 mm		30	1200	900	80
ALU 1113		30 x 1500 mm		30	1500	1200	80

* A istenen ölçüde üretilebilir.

* A can be manufactured in required size.

TEKNİK ÇİZİM / TECHNICAL DRAWING



KÖŞELİ H KOL

CURVED H TYPE DOOR HANDLE

ALU 1120



KÖŞELİ AHŞAP DESENLI H KOL

CURVED H TYPE DOOR HANDLE - **WOODEN/P**

ALU 1130



KÖŞELİ PLEKSİ H KOL

ANGLED H TYPE DOOR HANDLE - **PLEXI**

ALU 1140



KOD	CODE	ÖLÇÜLER	SIZE	Ø	A _(mm)	B _(mm)	C _(mm)
ALU 1120		30 x 500 mm		30	500	400	80
ALU 1121		30 x 600 mm		30	600	500	80
ALU 1122		30 x 700 mm		30	700	600	80
ALU 1123		30 x 800 mm		30	800	700	80
ALU 1124		30 x 900 mm		30	900	800	80

KOD	CODE	ÖLÇÜLER	SIZE	Ø	A _(mm)	B _(mm)	C _(mm)
ALU 1130		30 x 800 mm		30	600	400	80
ALU 1131		30 x 900 mm		30	700	500	80
ALU 1132		30 x 1200 mm		30	800	600	80
ALU 1133		30 x 1500 mm		30	900	700	80

KOD	CODE	ÖLÇÜLER	SIZE	Ø	A _(mm)	B _(mm)	C _(mm)
ALU 1140		30 x 800 mm		30	600	400	80
ALU 1141		30 x 900 mm		30	700	500	80
ALU 1142		30 x 1200 mm		30	800	600	80
ALU 1143		30 x 1500 mm		30	900	700	80

* A istenen ölçüde üretilebilir.

* A can be manufactured in required size.

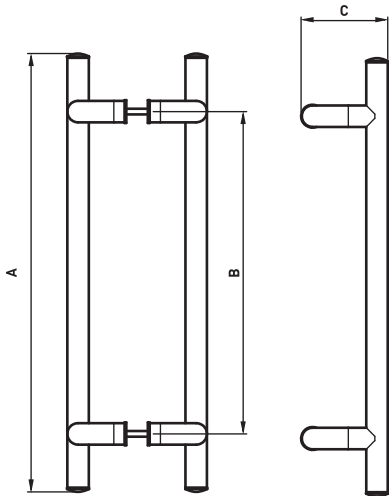
* A istenen ölçüde üretilebilir.

* A can be manufactured in required size.

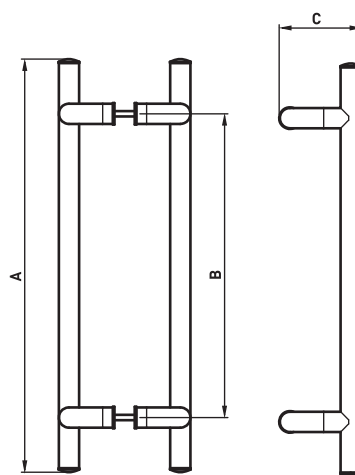
* A istenen ölçüde üretilebilir.

* A can be manufactured in required size.

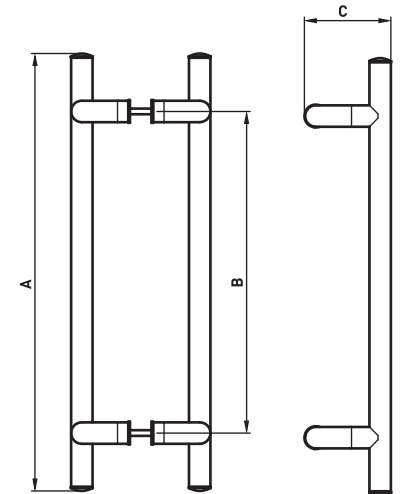
TEKNİK ÇİZİM / TECHNICAL DRAWING



TEKNİK ÇİZİM / TECHNICAL DRAWING



TEKNİK ÇİZİM / TECHNICAL DRAWING



ÇEKME KAPI KOLLARI

PULL DOOR HANDLES

AKBANK KOL - ELOKSAL

AKBANK DOOR HANDLE - ELOXAL

K9 TİP / K9 TYPE

ALU 1150



AKBANK KOL - AHŞAP DESENLİ

AKBANK DOOR HANDLE - WOODEN PATTERNED

K9 TİP / K9 TYPE

ALU 1160



AKBANK KOL - PLEKSİ

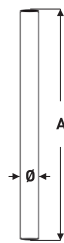
AKBANK DOOR HANDLE - PLEXİ

K9 TİP / K9 TYPE

ALU 1170



KOD	ÖLÇÜLER	Ø	A _(mm)
ALU 1150	40 x 2000 mm	40	2000
ALU 1151	40 x 2100 mm	40	2100
ALU 1152	40 x 2200 mm	40	2200
ALU 1153	40 x 2300 mm	40	2300
ALU 1154	40 x 2400 mm	40	2400
ALU 1155	40 x 2500 mm	40	2500



KOD	ÖLÇÜLER	Ø	A _(mm)
ALU 1160	40 x 2000 mm	40	2000
ALU 1161	40 x 2100 mm	40	2100
ALU 1162	40 x 2200 mm	40	2200
ALU 1163	40 x 2300 mm	40	2300
ALU 1164	40 x 2400 mm	40	2400
ALU 1165	40 x 2500 mm	40	2500



KOD	ÖLÇÜLER	Ø	A _(mm)
ALU 1170	40 x 2000 mm	40	2000
ALU 1171	40 x 2100 mm	40	2100
ALU 1172	40 x 2200 mm	40	2200
ALU 1173	40 x 2300 mm	40	2300
ALU 1174	40 x 2400 mm	40	2400
ALU 1175	40 x 2500 mm	40	2500



* A istenen ölçüde üretilebilir.
* A can be manufactured in required size.

* A istenen ölçüde üretilebilir.
* A can be manufactured in required size.

* A istenen ölçüde üretilebilir.
* A can be manufactured in required size.

AKBANK KOL - ELOKSAL
AKBANK DOOR HANDLE - ELOXAL

İNCE / THIN

ALU 1180



AKBANK KOL - AHŞAP DESENLİ
AKBANK DOOR HANDLE - WOODEN PATTERNED

İNCE / THIN

ALU 1190



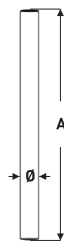
AKBANK KOL - PLEKSİ
AKBANK DOOR HANDLE - PLEXİ

İNCE / THIN

ALU 1200



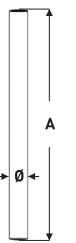
KOD	CODE	ÖLÇÜLER	SIZE	Ø	A _(mm)
ALU 1180		40 x 2000 mm		40	2000
ALU 1181		40 x 2100 mm		40	2100
ALU 1182		40 x 2200 mm		40	2200
ALU 1183		40 x 2300 mm		40	2300
ALU 1184		40 x 2400 mm		40	2400
ALU 1185		40 x 2500 mm		40	2500



KOD	CODE	ÖLÇÜLER	SIZE	Ø	A _(mm)
ALU 1190		40 x 2000 mm		40	2000
ALU 1191		40 x 2100 mm		40	2100
ALU 1192		40 x 2200 mm		40	2200
ALU 1193		40 x 2300 mm		40	2300
ALU 1194		40 x 2400 mm		40	2400
ALU 1195		40 x 2500 mm		40	2500



KOD	CODE	ÖLÇÜLER	SIZE	Ø	A _(mm)
ALU 1200		40 x 2000 mm		40	2000
ALU 1201		40 x 2100 mm		40	2100
ALU 1202		40 x 2200 mm		40	2200
ALU 1203		40 x 2300 mm		40	2300
ALU 1204		40 x 2400 mm		40	2400
ALU 1205		40 x 2500 mm		40	2500



* A istenen ölçüde üretilebilir.
* A can be manufactured in required size.

* A istenen ölçüde üretilebilir.
* A can be manufactured in required size.

* A istenen ölçüde üretilebilir.
* A can be manufactured in required size.

ÇEKME KAPI KOLLARI

PULL DOOR HANDLES

AKBANK KOL APARATI - HAVUZLU

AKBANK DOOR HANDLE KIT WITH POOL CONNECTOR

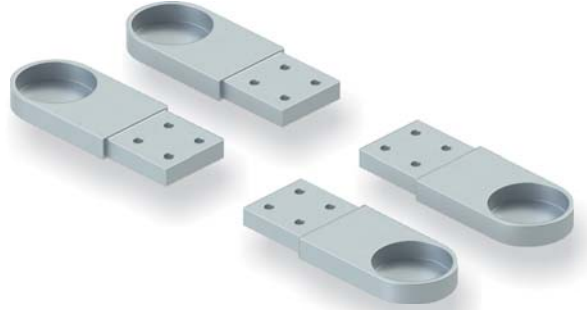
ALU 1210



AKBANK KOL APARATI - İNCE

AKBANK DOOR HANDLE KIT WITH THIN CONNECTOR

ALU 1211



LAMA BANT KOL

LAMA STRIPE PULL DOOR HANDLE

ALU 1220

KOD (CODE)	ÖLÇÜLER (SIZE)	A (mm)	B (mm)	C (mm)
ALU 1220	30 x 900 mm	900	870	80
ALU 1221	30 x 1000 mm	1000	970	80
ALU 1222	30 x 1200 mm	1200	1170	80

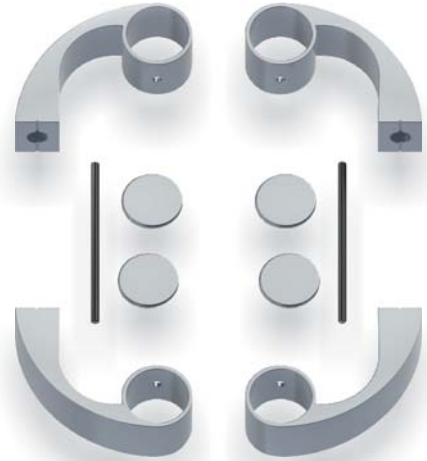
* A istenen ölçüde üretilebilir.

* A can be manufactured in required size.

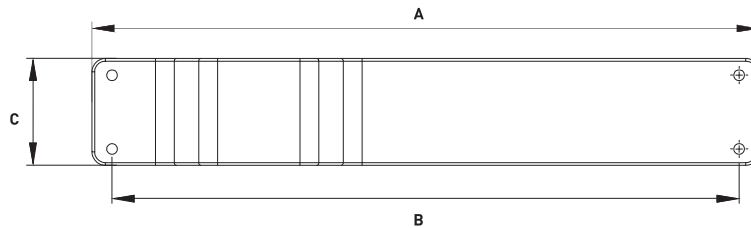
AKBANK KOL APARATI - K9 TİP - Ø40

AKBANK PULL DOOR HANDLE KIT - K9 TYPE - Ø40

ALU 1212



TEKNİK ÇİZİM / TECHNICAL DRAWING



MİNİ KÖŞELİ ÇEKME KOL
MINI CURVED DOOR HANDLE

ALU 1310



KÖŞELİ AYNALI ÇEKME KOL
ANGLED DOOR HANDLE WITH PLATE

ALU 1311



AYNALI MİNİ ÇEKME U KOL
MINI U TYPE DOOR HANDLE WITH PLATE

ALU 1312



MİNİ ÇEKME U KOLU
MINI U TYPE DOOR HANDLE

ALU 1313



KARE KOL
SQUARE TYPE DOOR HANDLE

ALU 1314



D KOL
D TYPE DOOR HANDLE

ALU 1315



YAYLI TETİK KOL
TRIGGER DOOR HANDLE WITH SPRING

ALU 1340



HAVUZ KOL - PROFİL
GROOVE DOOR HANDLE - PROFILE

ALU 1341



C KOL
C TYPE DOOR HANDLE

ALU 1342



BASMA KAPI KOLLARI

LEVER DOOR HANDLES

YAYLI ROZETLİ KAPI KOLU

SPRING DOOR HANDLE WITH ROSETTE - SOLID PROFILE

ALU 1350



AYNALI SOSİS KOL WC

CYLINDRICAL DOOR HANDLE WC

ALU 1351



YAYLI KAPI KOLU - BOŞ PROFİL

SPRING DOOR HANDLE - HOLLOW PROFILE

ALU 1352



YAYLI KAPI KOLU - DOLU PROFİL

SPRING DOOR HANDLE - SOLID PROFILE

ALU 1353



YAYSIZ KAPI KOLU - BOŞ PROFİL

NON-SPRING STICK TYPE DOOR HANDLE - HOLLOW PROFILE

ALU 1354



YAYSIZ KAPI KOLU - DOLU PROFİL

NON-SPRING STICK TYPE DOOR HANDLE - SOLID PROFILE

ALU 1355



YAYSIZ DAR AYNALI KAPI KOLU
NON-SPRING DOOR HANDLE WITH NARROW PLATE

ALU 1356



YAYSIZ GENİŞ AYNALI KAPI KOLU
NON-SPRING DOOR HANDLE WITH LARGE PLATE

ALU 1357



YAYLI KAPI KOLU ROZETLİ
DOOR HANDLE WITH SPRING ROSETTE

ALU 1358



YAYLI KAPI KOLU
DOOR HANDLE WITH SPRING

ALU 1359



YAYLI KAPI KOLU ROZETLİ
DOOR HANDLE WITH SPRING ROSETTE

ALU 1360



YAYLI KAPI KOLU
DOOR HANDLE WITH SPRING

ALU 1361



PENCERE KOLLARI

WINDOW HANDLES

EKSENEL KOL TEK DİLLİ

WINDOW HANDLE

ALU 1410



EKSENEL KOL ÇİFT DİLLİ

WINDOW HANDLE

ALU 1412



EKSENEL KOL TEK DİLLİ

WINDOW HANDLE

ALU 1414



EKSENEL KOL ÇİFT DİLLİ

WINDOW HANDLE

ALU 1416



CEPHE KOLU TEK DİLLİ-SAĞ

FACADE WINDOW HANDLE-RIGHT

ALU 1418



CEPHE KOLU ÇİFT DİLLİ-SAĞ

FACADE WINDOW HANDLE-RIGHT

ALU 1420



CEPHE KOLU TEK DİLLİ - SOL

FACADE WINDOW HANDLE - LEFT

TEK MAÇA ALU 1422



CEPHE KOLU ÇİFT DİLLİ - SOL

FACADE WINDOW HANDLE - LEFT

TEK MAÇA ALU 1424



CEPHE KOLU TEK DİLLİ

FACADE WINDOW HANDLE

ALU 1440



CEPHE KOLU ÇİFT DİLLİ

FACADE WINDOW HANDLE

ALU 1441



ASPENDOS TEK DİLLİ 17 CM

ASPENDOS WINDOW HANDLE

ALU 1450



ASPENDOS ÇİFT DİLLİ 17 CM

ASPENDOS WINDOW HANDLE

ALU 1451



TROYA KIVRIK KOL SAĞ-SOL

TROYA WINDOW HANDLE RIGT-LEFT

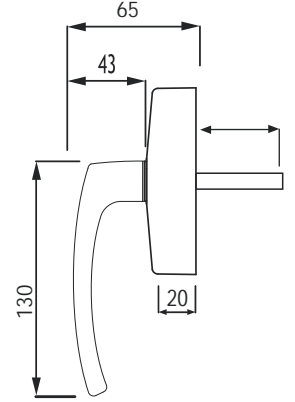
ALU 1510



EFE PENCERE KOLU

EFE WINDOW HANDLE

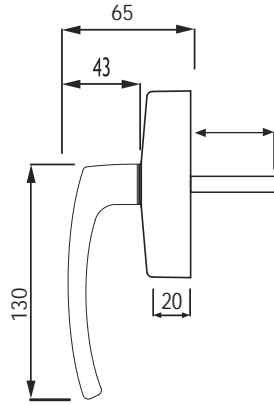
ALU 1511



EFES SÜRME KOL TAKIM 17CM

EFES SLIDING DOOR/WINDOW HANDLE SET

ALU 1512



TROYA SÜRME KOL TAKIM SAĞ-SOL

TROYA SLIDING DOOR/WINDOW HANDLE RIGT-LEFT

ALU 1513



HEBESCHIBE SÜRME KOL TAKIM

HEBESCHIBE SLIDING DOOR/WINDOW HANDLE SET

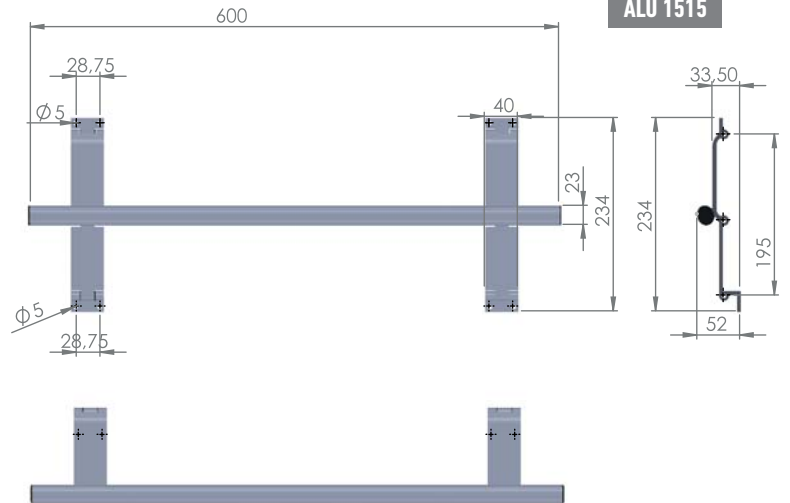
ALU 1514



MAFSALLI CEPHE KOLU

FACADE BAR HANDLES

ALU 1515



C60 MENTEŞE
C60 PROFILE HINGE

ALU 1520



C60 MENTEŞE ÜÇLÜ
C60 PROFILE HINGE - TRIPLE

ALU 1521



C60 GEÇME MENTEŞE
C60 PROFILE FITTING HINGE

ALU 1522



ALDOKS GEÇME MENTEŞE
ALDOX PROFILE FITTING HINGE

ALU 1523



ALDOKS MENTEŞE - DÜZ
ALDOX HINGE - SMOOTH

ALU 1524



ALDOKS MENTEŞE - FUGALI
ALDOX HINGE - SERRATED

ALU 1525



PENCERE MENTEŞESİ
WINDOW HINGE

ALU 1530



PENCERE MENTEŞESİ ÜÇLÜ
WINDOW HINGE - TRIPLE

ALU 1531



ASAŞ KAPI MENTEŞE
ASAS DOOR HINGE

ALU 1532



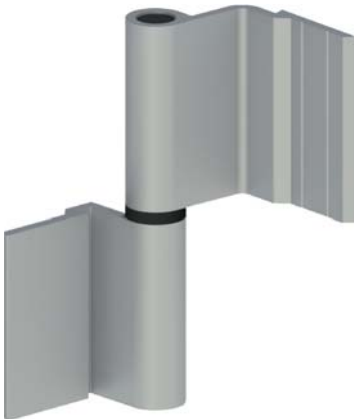
ISI YALITIM MENTEŞE
HEAT INSULATED PROFILE HINGE

ALU 1533



BURSA MENTEŞE
BURSA HINGE

ALU 1534



SARAY MENTEŞE
SARAY HINGE

ALU 1535



ISI YALITIM SÜRGÜ - KISA
HEAT INSULATED BOLT - MINI

ALU 1610



SAVİO TİP SÜRGÜ - KISA
SAVIO TYPE BOLT - MINI

ALU 1620



C60 ALÜMİNYUM SÜRGÜ - KISA
C60 ALUMINIUM BOLT - MINI

ALU 1622



ISI YALITIM SÜRGÜ - UZUN
HEAT INSULATED BOLT - MAXI

ALU 1611



SAVİO TİP SÜRGÜ - UZUN
SAVIO TYPE BOLT - MAXI

ALU 1621



C60 ALÜMİNYUM SÜRGÜ - UZUN
C60 ALUMINIUM BOLT - MAXI

ALU 1623



FİŞEK SÜRGÜ
CARTRIDGE BOLT

ALU 1630



GÖMME SÜRGÜ
FLUSH BOLT

ALU 1631



C60 ÇİFT PİMLİ SÜRGÜ
C60 BOLT WITH DOUBLE PINNED

ALU 1632



KİLİT KARŞILIKLARI

DOOR LOCK STRIKERS

ALDOKS KİLİT KARŞILIĞI

DOOR LOCK STRIKER FOR ALDOX PROFILE

DİLLİ
LATCH

ALU 1710



MAKARALI
ROLLER

ALU 1711

ISI YALITIM KİLİT KARŞILIĞI

DOOR LOCK STRIKER FOR HEAT INSULATED PROFILE

DİLLİ
LATCH

ALU 1712



MAKARALI
ROLLER

ALU 1713

C60 PROFİL KİLİT KARŞILIĞI - DİLLİ

DOOR LOCK STRIKER FOR C60 PROFILE - LATCH

ALU 1714



C60 PROFİL KİLİT KARŞILIĞI - MAKARALI

DOOR LOCK STRIKER FOR C60 PROFILE - ROLLER

ALU 1715



C60 PROFİL KİLİT KARŞILIĞI ALTI

DOOR LOCK STRIKER BASE PLATE FOR C60 PROFILE

ALU 1716



ELEKTRİKLİ KAPI KİLİT KARŞILIĞI

LOCK STRIKER FOR ELECTRICAL DOOR

ALU 1717



ALDOKS VASİSTAS MAKAS - 13cm
TRANSOM SCISSOR FOR ALDOX PROFILE - 13cm

ALU 1810



ALDOKS VASİSTAS MAKAS - 22cm
TRANSOM SCISSOR FOR ALDOX PROFILE - 22cm

ALU 1811



ISI YALITIM VASİSTAS MAKAS - 18cm
TRANSOM SCISSOR FOR HEAT INSULATED PROFILE - 18cm

ALU 1812



ISI YALITIM VASİSTAS MAKAS - 23cm
TRANSOM SCISSOR FOR HEAT INSULATED PROFILE - 23cm

ALU 1813



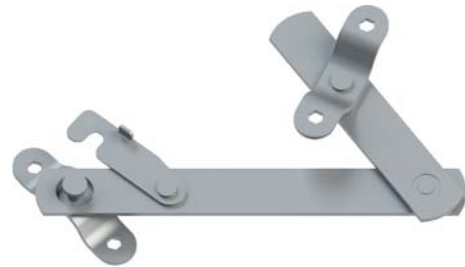
CEPHE VASİSTAS MAKAS
TRANSOM SCISSOR FOR FACADE SYSTEM

ALU 1820



ÇELİK VASİSTAS MAKAS
STAINLESS STEEL TRANSOM SCISSOR

ALU 1814



FENİŞ VASİSTAS MAKAS
TRANSOM SCISSOR FOR FENIS PROFILE

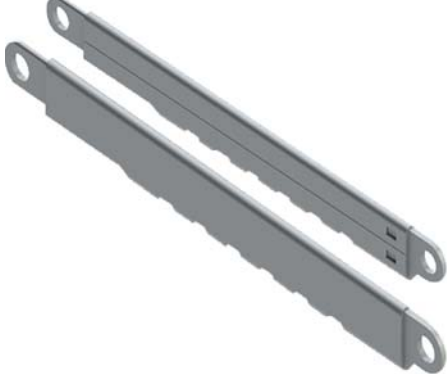
ALU 1815



KOD CODE	MAKAS ÇEŞİTLERİ TYPES	MAX ↔ EN	MAX ↑ BOY	MAX KG
ALU 1820	16'LİK DIŞ CEPHE MAKASI	1200 _{mm}	1400 _{mm}	45KG
ALU 1821	18'LİK DIŞ CEPHE MAKASI	1400 _{mm}	1400 _{mm}	75KG
ALU 1822	22'LİK DIŞ CEPHE MAKASI	1500 _{mm}	1500 _{mm}	90KG
ALU 1823	24'LÜK DIŞ CEPHE MAKASI	1500 _{mm}	1800 _{mm}	100KG
ALU 1824	26'LİK DIŞ CEPHE MAKASI	1270 _{mm}	2200 _{mm}	110KG

KADEMELİ MAKAS
LEVEL TRANSOM SCISSOR

ALU 1816



ÇARPMA ÇİTÇİT
CLICK-IN LOCK

ALU 1830



ALDOKS ÇARPMA ÇİT ÇİT
CLICK-IN LOCK FOR ALDOX PROFILE

ALU 1831



ISI YALITIM ÇARPMA ÇİT ÇİT
CLICK-IN LOCK FOR HEAT INSULATED PROFILE

ALU 1832



ALDOKS TİJ PİMİ
STEM PINS FOR ALDOX PROFILE

ALU 1840



ISI YALITIM TİJ PİMİ
STEM PINS FOR HEAT INSULATED PROFILE

ALU 1841



İSPANYOLET TİJ ÇUBUĞU - 60cm
ESPAGNOLETTE ROD - 60cm

ALU 1850



CAM TUTUCULAR

GLASS HOLDERS

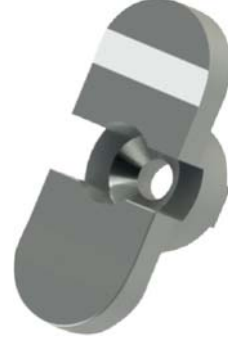
TEKLİ CAM TUTUCU
GLASS HOLDER - SINGLE

ALU 1910



ÇİFTLİ CAM TUTUCU
GLASS HOLDER - DOUBLE

ALU 1911



SETUSKURLU AYARLI KARŞILIK
ADJUSTABLE STRIKER WITH STAY BOLT

ALU 1920



AYARLI KARŞILIK - KELEBEK TİPİ
ADJUSTABLE STRIKER - BUTTERFLY TYPE

ALU 1921



AYARLI KARŞILIK
ADJUSTABLE STRIKER

ALU 1922



ROTA SİSTEM KARŞILIK
ROTA SYSTEM STRIKER

ALU 1923



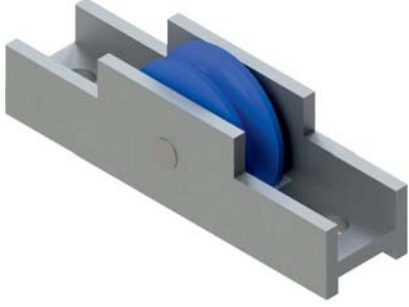
PLASTİK KARŞILIK
PLASTIC STRIKER

ALU 1930



PLASTİK RULMAN - TEKLİ
PLASTIC BEARING - SINGLE ROLLER

ALU 2010



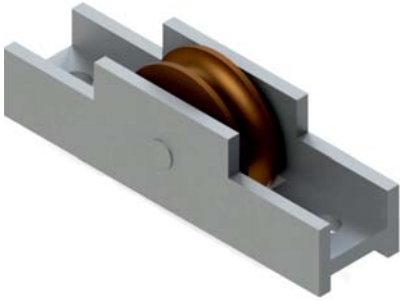
PLASTİK RULMAN - ÇİFTLİ
PLASTIC BEARING - DOUBLE ROLLER

ALU 2011



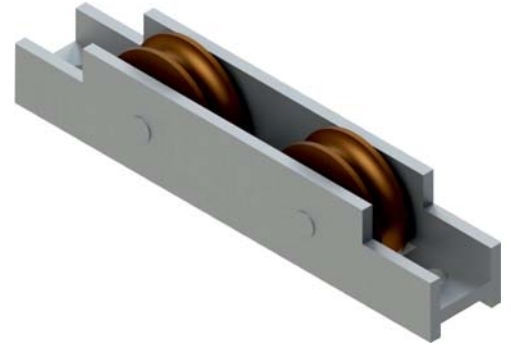
PİRİNÇ RULMAN - TEKLİ
BRASS BEARING - SINGLE ROLLER

ALU 2012



PİRİNÇ RULMAN - ÇİFTLİ
BRASS BEARING - DOUBLE ROLLER

ALU 2013



L CEPHE ANKRAJ DEMİRİ
L TYPE FACADE ANCHORING IRON

ALU 2020



F CEPHE ANKRAJ DEMİRİ
F TYPE FACADE ANCHORING IRON

ALU 2021



U CEPHE ANKRAJ DEMİRİ
U TYPE FACADE ANCHORING IRON

ALU 2022



ORTA KAYIT & KÖŞE BAĞLANTILAR

MEETING RAIL & CORNER FITTINGS

ORTA KAYIT BAĞLANTI - DAR
U CONNECTOR - NARROW

ALU 2050



ORTA KAYIT BAĞLANTI - GENİŞ
U CONNECTOR - WIDE

ALU 2051



C60 PROFİL ORTA KAYIT BAĞLANTI
U CONNECTOR FOR C60 PROFILE

ALU 2052



SAC ALLEN KÖŞE BAĞLANTI
SHEET IRON ALLEN CORNER CONNECTOR

ALU 2053



KÖŞE BAĞLANTI
CORNER CONNECTOR

ALU 2054



MONTECELLİ KÖŞE BAĞLANTI
MONTECELLI CORNER CONNECTOR

ALU 2055



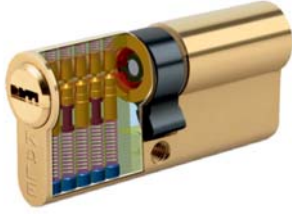
ALÜMİNYUM KAPI KİLİTLERİ - KARŞILIKLI
DOOR LOCKS FOR ALUMINIUM DOORS - WITH STRIKER



ALÜMİNYUM KAPI KİLİTLERİ
DOOR LOCKS FOR ALUMINIUM DOORS



BAREL
BARREL



KAPI TUTUCU
DOOR HOLDER



KAPI HİDROLİĞİ - GÜÇ AYARLI
DOOR CLOSER WITH ADJUSTABLE POWER



KAPI HİDROLİĞİ - GÖMME RAYLI
DOOR CLOSER WITH SLIDING ARM



DİĞER AKSESUARLAR

OTHER ACCESSORIES

EMNİYET KİLİDİ
SAFETY LOCK

ALU 2110



SU TAHLİYE TAPASI
WATER DRAINING PLUG

ALU 2211



KAPI ALTI FIRÇA - T TİP - 100cm
ALUMINIUM DOOR WIPER - T TYPE - 100cm

ALU 2220



KAPI ALTI FIRÇA - h TİP - 100cm
ALUMINIUM DOOR WIPER - h TYPE - 100cm

ALU 2221



PANJUR KORDONU - 50mt
SHUTTER CORD - 50mt

ALU 2230



PANJUR KORDONU - 50mt
SHUTTER CORD - 50mt

ALU 2231





40° lik Hareketli Mafsal Takımı
40° Assembled Fitting

ALU 2300



40° lik Sabit Mafsal
40° Combined Fitting

ALU 2301



35° lik Hareketli Mafsal
35° Assembled Fitting

ALU 2302



35° lik Sabit Mafsal
35° Combined Fitting

ALU 2303



50° lik Hareketli Mafsal
50° Assembled Fitting

ALU 2304



50x50 Ay Tapa
50x50x Dovetail

ALU 2305



40x40 Hareketli Mafsal Takımı
40x40 Assembled Fitting Set

ALU 2306



40x40 Sabit Mafsal
40x40 Combined Fitting

ALU 2307



40° lik Dikme Flanş Tek Tırnak
40° Strut Flange Single Retainer

ALU 2310

KARE KÜPEŞTE AKSESUARLARI

SQUARE HANDRAIL ACCESSORIES



35' lik Ayak
35' Step

ALU 2311



35' lik Dikme Flaşı
35' Step Slot

ALU 2312



50' lik Duvar Flaşı
50' Wall Flange Single Hole

ALU 2313



50' lik Duvar Flaşı Dıştan Vidalı
50' Wall Flange Outer Passing

ALU 2314



50' lik Duvar Flaşı Açı Ayarlı (Ufo)
50' Wall Flange Adjustable

ALU 2315



16' lik Duvar Flaşı
16' Wall Flange

ALU 2316



16' lik Duvar Flaşı Dıştan Vidalı
16' Wall Flange Outer Screw

ALU 2317



19' lik Duvar Flaşı
19' Wall Flange

ALU 2318



19' lik Duvar Flaşı Dıştan Vidalı
19' Wall Flange Outer Screw

ALU 2319



40x40 Dikme Flaşı
40x40 Strut Flange

ALU 2320



80x30 Dıştan Vidalı Duvar Flaşı
80x30 Wall Flange Outer Screw

ALU 2321



65x25 Dıştan Vidalı Duvar Flaşı
65x25 Wall Flange Outer Screw

ALU 2322



50'lik Boş Küre Dirsek
50' Joint Elbow Empty

ALU 2400



50' lik Boş Küre Dirsek Mafsallı
50' Joint Elbow Fitting

ALU 2401



50' lik Şişme Dirsek 90°
50' 90° Inflated Collared Elbow

ALU 2402



50' lik Şişme Dirsek 45°
50' 45° Inflated Collared Elbow

ALU 2403



16' lik Dirsek 90°
16' 90° Elbow

ALU 2404



16' lik Dirsek 45°
16' 45° Elbow

ALU 2405

KARE KÜPEŞTE AKSESUARLARI

SQUARE HANDRAIL ACCESSORIES



16' luk Küre Dirsek
16' Joint Elbow

ALU 2406



19' luk Dirsek 90°
19' 90° Elbow

ALU 2407



19' luk Dirsek 45°
19' 45° Elbow

ALU 2408



19' luk Küre Dirsek
19' Joint Elbow

ALU 2409



80x30 Önden Kanallı Dirsek 90°
80x30 90° Front Channel Elbow

ALU 2410



80x30 Önden Kanallı Dirsek 45°
80x30 45° Front Channel Elbow

ALU 2411



80x30 Ortadan Kanallı Dirsek 90°
80x30 Middle Channel Elbow 90°

ALU 2412



80x30 Ortadan Kanallı Dirsek 45°
80x30 Middle Channel Elbow 45°

ALU 2413



60x25 Önden Kanallı Dirsek 90°
60x25 Front Channel Elbow 90°

ALU 2414



60X25 Önden Kanallı Dirsek 45°
60x25 Front Channel Elbow 45°

ALU 2415



60X25 Ortadan Kanallı Dirsek 90°
60x25 Middle Channel Elbow 90°

ALU 2416



60X25 Ortadan Kanallı Dirsek 45°
60x25 Middle Channel Elbow 45°

ALU 2417



60x25 Dik Açılı Dirsek
60x25 Angled Elbow

ALU 2418



60x25 Hareketli Dirsek 45 - 90
60x25 Assembled Elbow 45 - 90

ALU 2419



60x25 Hareketli Dirsek 45 - 90 - 45
60x25 Assembled Elbow 45 - 90 - 45

ALU 2420



60x25 Hareketli Dirsek
60x25 Assembled Elbow

ALU 2421



14x14 Dirsek 90°
14x14 Elbow 90°

ALU 2422



14x14 Dirsek 45°
14x14 Elbow 45°

ALU 2423



80x30 Tapa
80x30 Plug Outer

ALU 2500



60x25 Tapa
60x25 Plug

ALU 2501



14x14 Tapa
14x14 Plug

ALU 2502



50' lik Bilezik
50' Collar 5 cm

ALU 2600



16' lik Bilezik
16' Bangle

ALU 2601



19' luk Bilezik
19' Bangle

ALU 2602



80x30 Bilezik
80x30 Bangle

ALU 2603



60x25 Bilezik
60x25 Bangle

ALU 2604



14x14 Bilezik
14x14 Bangle

ALU 2605



40' lık Yandan U Bağlantı
40' Strut Side Connector U

ALU 2700



35' lik Dikme Yandan U Bağlantı
35' Strut Side Connector U

ALU 2701



40x40 Yandan U Bağlantı
40x40 Side U Connection

ALU 2702



Duvar Y Bağlantı Takımı
Wall Y Connector Kit

ALU 2703



Duvar L Bağlantı 90°
Wall L Connector 90°

ALU 2704



Kapı Mentеше
Door Hinge

ALU 2705



Kapı Sürgü
Door Snip

ALU 2706



Cam Klipsi
Glass Clips

ALU 2708



16' lık Boru Tutamağı
16' Pipe Holder

ALU 2709