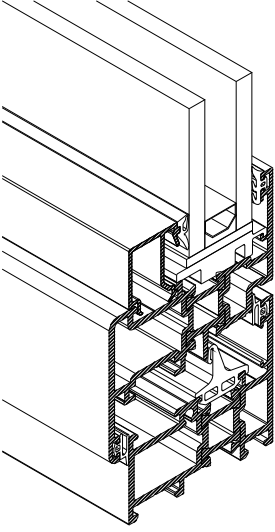
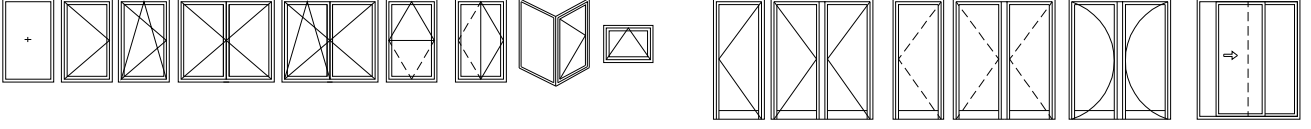
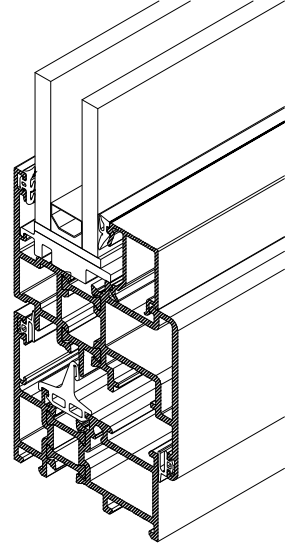


## Yalıtımlı Pencere ve Kapı Serisi Açılım Varyasyonları

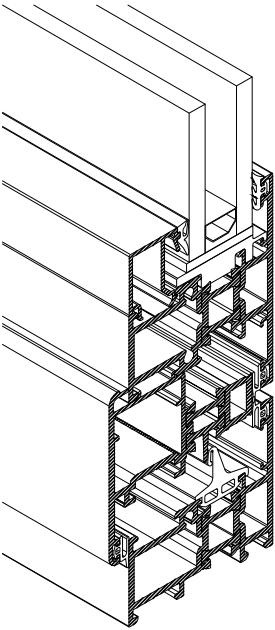
Insulated Window and Door Serie Opening Variations



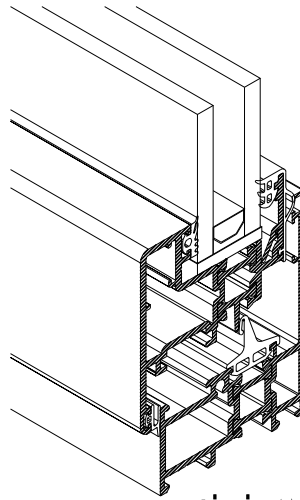
**PENCERE SERİ**  
WINDOW SERIE



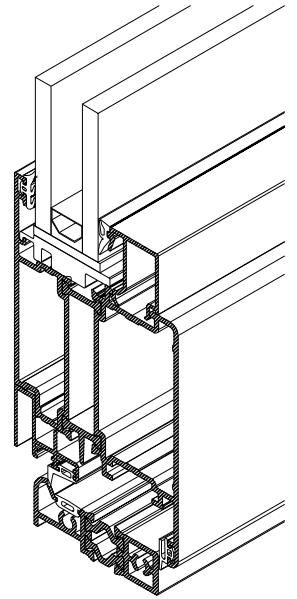
**PENCERE SERİ  
(PVC AKSESUAR)**  
WINDOW SERIE  
(PVC ACCESSORIES)



**PİVOT SERİ**  
PIVOT SERIE



**GİZLİ KANAT SERİ**  
HIDDEN CASEMENT SERIE



**KAPI SERİ**  
DOOR SERIE

**W3**

**W 55 - 2 T Yalıtımlı Pencere ve Kapı Serisi**  
W55-2T Insulated Window and Door Serie

### **Alaşım Özellikleri** Alloy Properties

EN AW 6060 (AlMgSi0,5 F22) EN AW 6063(AlMg0,7Si F22)

### **Üretim ve Mekanik Standartları** Production and Mechanical Standards

EN 12020-2 - EN 755-9 - EN 755-2

# W3

ÜRÜN TEKNİK ÖZELLİKLERİ  
PRODUCT'S TECHNICAL FEATURES

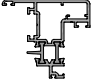
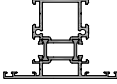
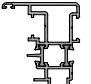
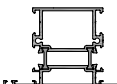
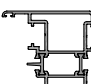
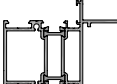
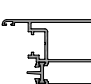
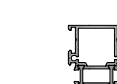
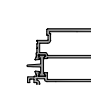
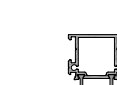
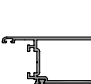
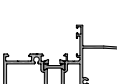
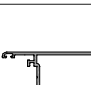
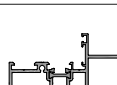
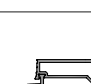
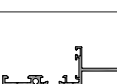
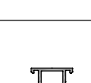
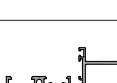
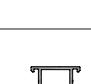
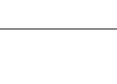
PROFİL KESİTİ PROFILE VIEW	PROFİL NO PROFILE NO	PROFİL AÇIKLAMASI PROFILE DESCRIPTION	gr/m	PROFİL KESİTİ PROFILE VIEW	PROFİL NO PROFILE NO	PROFİL AÇIKLAMASI PROFILE DESCRIPTION	gr/m
	<b>W3-101</b> ( 49 - 29 )	<b>KASA PROFİLİ</b> FRAME	PVC <b>1364</b>		<b>W3-218</b> ( 42 - 53 )	<b>PENCERE KANAT PROFİLİ</b> CASEMENT PROFILE FOR WINDOW	PVC <b>1617</b>
			POLYAMID <b>1355</b>				POLYAMID <b>1608</b>
	<b>W3-102</b> ( 59 - 39 )	<b>KASA PROFİLİ</b> FRAME	PVC <b>1580</b>		<b>W3-202</b> ( 47 - 58 )	<b>PENCERE KANAT PROFİLİ</b> CASEMENT PROFILE FOR WINDOW	PVC <b>1740</b>
			POLYAMID <b>1572</b>				POLYAMID <b>1730</b>
	<b>W3-103</b> ( 69 - 49 )	<b>KASA PROFİLİ</b> FRAME	PVC <b>1797</b>		<b>W3-203</b> ( 57 - 68 )	<b>PENCERE KANAT PROFİLİ</b> CASEMENT PROFILE FOR WINDOW	PVC <b>1935</b>
			POLYAMID <b>1789</b>				POLYAMID <b>1925</b>
	<b>W3-104</b> ( 39 - 55 )	<b>TIRNAKSIZ KASA PROFİLE</b> FLAT FRAME PROFILE	PVC <b>1440</b>		<b>W3-216</b> ( 44 - 48 )	<b>PENCERE KANAT PROFİLİ</b> CASEMENT PROFILE FOR WINDOW	PVC <b>1429</b>
			POLYAMID <b>1432</b>				POLYAMID <b>1418</b>
 <small>⚠ İşaretili profil için satış temsilcinizden bilgi alınız.</small>	<b>W3-105</b> ( 49 - 55 )	<b>TIRNAKSIZ KASA PROFİLE</b> FLAT FRAME PROFILE	PVC <b>1657</b>		<b>W3-219</b> ( 49 - 53 )	<b>PENCERE KANAT PROFİLİ</b> CASEMENT PROFILE FOR WINDOW	PVC <b>1518</b>
			POLYAMID <b>1648</b>				POLYAMID <b>1508</b>
	<b>W3-106</b> ( 49 - 29 )	<b>CEPHE-PENCERE ADAPTÖRÜ</b> FACADE-WINDOW ADAPTER	PVC <b>1563</b>		<b>W3-217</b> ( 54 - 58 )	<b>PENCERE KANAT PROFİLİ</b> CASEMENT PROFILE FOR WINDOW	PVC <b>1624</b>
			POLYAMID <b>1554</b>				POLYAMID <b>1613</b>
	<b>W3-107</b> ( 74 - 29 )	<b>KASA PROFİLİ</b> FRAME	PVC <b>1499</b>		<b>W3-204</b> ( 84 - 95 )	<b>İÇE AÇILIR KAPI KANADI</b> INDOOR CASEMENT PR. FOR DOOR	PVC <b>2458</b>
			POLYAMID <b>1491</b>				POLYAMID <b>2447</b>
	<b>W3-108</b> ( 59 - 84 )	<b>PERVAZLI KASA PROFİLİ</b> FRAME	PVC <b>1873</b>		<b>W3-205</b> ( 91 - 95 )	<b>İÇE AÇILIR KAPI KANADI</b> INDOOR CASEMENT PR. FOR DOOR	PVC <b>2347</b>
			POLYAMID <b>1864</b>				POLYAMID <b>2336</b>
	<b>W3-109</b> ( 59 - 64 )	<b>PERVAZLI KASA PROFİLİ</b> FRAME	PVC <b>1737</b>		<b>W3-206</b> ( 115 - 64 )	<b>DIŞA AÇILIR KAPI KANADI</b> OUTDOOR CASEMENT PR. FOR DOOR	PVC <b>2500</b>
			POLYAMID <b>1729</b>				POLYAMID <b>2490</b>
	<b>W3-201</b> ( 37 - 48 )	<b>PENCERE KANAT PROFİLİ</b> CASEMENT PROFILE FOR WINDOW	PVC <b>1533</b>		<b>W3-207</b> ( 115 - 71 )	<b>DIŞA AÇILIR KAPI KANADI</b> OUTDOOR CASEMENT PR. FOR DOOR	PVC <b>2392</b>
			POLYAMID <b>1523</b>				POLYAMID <b>2382</b>

Profil değerleri teoriktir. Ağırlık olarak testimde yapılan tartım geçerlidir.  
Profil imalatları TS EN 12020-2 ve TS EN 755-9 toleransı,  
Moment değerleri EN 14024'e göre hesaplanmıştır.

Profile values are theoretical pre-shipment weight will be valid.  
The tolerances of Profile manufacturing are calculated according to EN 12020-2  
and TS EN 755-9; moment values are calculated according to EN 14024.

# W3

ÜRÜN TEKNİK ÖZELLİKLERİ  
PRODUCT'S TECHNICAL FEATURES

PROFİL KESİTİ PROFILE VIEW	PROFİL NO PROFILE NO	PROFİL AÇIKLAMASI PROFILE DESCRIPTION	gr/m	PROFİL KESİTİ PROFILE VIEW	PROFİL NO PROFILE NO	PROFİL AÇIKLAMASI PROFILE DESCRIPTION	gr/m
	<b>W3-208</b> ( 10.4 - 61 )	<b>GİZLİ KANAT PROFİLİ</b> HIDDEN CASEMENT PROFILE	PVC <b>1397</b>		<b>W3-302</b> ( 79 - 39 )	<b>ORTA KAYIT PROFİLİ</b> TRANSOM PROFILE	PVC <b>1737</b>
			POLYAMID <b>1387</b>				POLYAMID <b>1729</b>
	<b>W3-209</b> ( 42.6 - 53.6 )	<b>PENCERE KANAT PROFİLİ</b> CASEMENT PROFILE FOR WINDOW	PVC <b>1702</b>		<b>W3-303</b> ( 89 - 49 )	<b>ORTA KAYIT PROFİLİ</b> TRANSOM PROFILE	PVC <b>1954</b>
			POLYAMID <b>1691</b>				POLYAMID <b>1946</b>
	<b>W3-210</b> ( 52.6 - 63.6 )	<b>PENCERE KANAT PROFİLİ</b> CASEMENT PROFILE FOR WINDOW	PVC <b>1897</b>		<b>W3-304</b> ( 89 - 49 )	<b>TAKVİYELİ ORTA KAYIT</b> REINFORCED TRANSOM PROFILE	PVC <b>2748</b>
			POLYAMID <b>1886</b>				POLYAMID <b>2739</b>
	<b>W3-211</b> ( 89.6 - 100.6 )	<b>İÇE AÇILIR KAPI KANADI</b> INDOOR CASEMENT PR. FOR DOOR	PVC <b>2611</b>		<b>W3-305</b> ( 104 - 39 )	<b>KASA PROFİLİ</b> FRAME	PVC <b>1873</b>
			POLYAMID <b>2600</b>				POLYAMID <b>1864</b>
	<b>W3-212</b> ( 101 - 50 )	<b>DIŞA AÇILIR KAPI KANADI</b> OUTDOOR CASEMENT PR. FOR DOOR	PVC <b>2230</b>		<b>W3-306</b> ( 129 - 39 )	<b>ORTA KAYIT PROFİLİ</b> TRANSOM PROFILE	PVC <b>2008</b>
			POLYAMID <b>2219</b>				POLYAMID <b>2000</b>
	<b>W3-213</b> ( 70 - 81 )	<b>İÇE AÇILIR KAPI KANADI</b> INDOOR CASEMENT PR. FOR DOOR	PVC <b>2172</b>		<b>W3-307</b> ( 79 - 39 )	<b>TAKVİYELİ OVAL ORTAKAYIT</b> REINFORCED OVAL TRANSOM	PVC <b>2459</b>
			POLYAMID <b>2162</b>				POLYAMID <b>2451</b>
	<b>W3-214</b> ( 77 - 81 )	<b>İÇE AÇILIR KAPI KANADI</b> INDOOR CASEMENT PR. FOR DOOR	PVC <b>2069</b>		<b>W3-308-b</b> ( 74 - 92 )	<b>TAKVİYELİ OVAL ORTAKAYIT</b> REINFORCED OVAL TRANSOM	PVC <b>2246</b>
			POLYAMID <b>2059</b>				POLYAMID <b>2237</b>
	<b>W3-215</b> ( 101 - 57 )	<b>DIŞA AÇILIR KAPI KANADI</b> OUTDOOR CASEMENT PR. FOR DOOR	PVC <b>2119</b>		<b>W3-308-a</b> ( 74 - 103 )	<b>TAKVİYELİ OVAL ORTAKAYIT</b> REINFORCED OVAL TRANSOM	PVC <b>2365</b>
			POLYAMID <b>2108</b>				POLYAMID <b>2357</b>
	<b>W3-301</b> ( 69 - 29 )	<b>ORTA KAYIT PROFİLİ</b> TRANSOM PROFILE	PVC <b>1520</b>		<b>W3-308-c</b> ( 74 - 137 )	<b>TAKVİYELİ OVAL ORTAKAYIT</b> REINFORCED OVAL TRANSOM	PVC <b>2863</b>
			POLYAMID <b>1512</b>				POLYAMID <b>2854</b>
	<b>W3-308</b> ( 74 - 34 )	<b>ORTA KAYIT PROFİLİ</b> TRANSOM PROFILE	PVC <b>1629</b>		<b>W3-309</b> ( 121 - 150 )	<b>TAKVİYELİ OVAL ORTAKAYIT</b> REINFORCED OVAL TRANSOM	PVC <b>4733</b>
			POLYAMID <b>1620</b>				POLYAMID <b>4725</b>

Profil değerleri teoriktir. Ağırlık olarak testimde yapılan tartım geçerlidir.  
Profil imalatları TS EN 12020-2 ve TS EN 755-9 toleransı,  
Moment değerleri EN 14024'e göre hesaplanmıştır.

Profile values are theoretical pre-shipment weight will be valid.  
The tolerances of Profile manufacturing are calculated according to EN 12020-2  
and TS EN 755-9; moment values are calculated according to EN 14024.

# W3

## ÜRÜN TEKNİK ÖZELLİKLERİ PRODUCT'S TECHNICAL FEATURES





















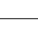

PROFİL KESİTİ PROFILE VIEW	PROFİL NO PROFILE NO	PROFİL AÇIKLAMASI PROFILE DESCRIPTION	gr/m	PROFİL KESİTİ PROFILE VIEW	PROFİL NO PROFILE NO	PROFİL AÇIKLAMASI PROFILE DESCRIPTION	gr/m
	W3-401 ( 110 - 70 )	ETEK-ORTA KAYIT PROFİLİ PLINTH-TRANSOM PROFILE	PVC 2409		W3-510 ( 47 - 55 )	AÇILIM ADAPTÖRÜ OPENING ADAPTER	PVC 1187
			POLYAMID 2401				POLYAMID 1179
	W3-403 ( 140 - 120 )	ETEK PROFİLİ PLINTH PROFILE	PVC 3144		W3-511 ( 16 - 57.4 )	CEPHE BAĞLANTI PROFİLİ CONNECTION PROFILE FOR FACADE	496
			POLYAMID 3136				
	W3-402 ( 170 - 150 )	ETEK PROFİLİ PLINTH PROFILE	PVC 3795		W3-512 ( 107 - 31 )	ÇİFT KANAT ADAPTÖRÜ CASEMENT PROFILE ADAPTOR	PVC 1657
			POLYAMID 3786				POLYAMID 1649
	W3-501 ( 57 - 58.4 )	AÇILIM ADAPTÖRÜ OPENING ADAPTER	PVC 1373		W1-550 ( 57.1 - 57.1 )	KÖŞE PROFİLİ CORNER PROFILE	PVC 1413
			POLYAMID 1365				POLYAMID 1404
	W3-502 ( 25.1 - 55 )	AÇILIM ADAPTÖRÜ OPENING ADAPTER	PVC 1031		W1-551 ( 55 - 69.2 )	KÖŞE PROFİLİ CORNER PROFILE	PVC 2312
⚠ İşaretti profil için satış temsilcinizden bilgi alınır.			POLYAMID 1022				POLYAMID 2305
	W3-503 ( 25.1 - 55 )	AÇILIM ADAPTÖRÜ OPENING ADAPTER	PVC 1060		W-503 ( 29.3 - 20.1 )	DAMLALIK PROFİLİ WEATHERDIP PROFILE	211
⚠ İşaretti profil için satış temsilcinizden bilgi alınır.			POLYAMID 1052				
	W3-504 ( 13.8 - 57 )	PİVOT ADAPT. PROFİLİ PIVOT ADAPT. PROFILE	PVC 1222		W-504 ( 19.6 - 55.1 )	ÇARPMA KAPI ADAPTÖRÜ IMPACT DOOR ADAPTER	341
			POLYAMID 1212				
	W3-506 ( 30.3 - 55 )	AÇILIM ADAPTÖRÜ OPENING ADAPTER	PVC 769		W-505 ( 12.4 - 55 )	ÇARPMA KAPI ADAPTÖRÜ IMPACT DOOR ADAPTER	271
			POLYAMID 761				
	W3-507 ( 8.2 - 26 )	SAKLI KANAT CAM ÇİTASI GLASS SKIRTING FOR HIDDEN CASEM.	155		W-506 ( 31.9 - 29 )	PANJUR PROFİLİ SHUTTER PROFILE	363
				⚠ İşaretti profil için satış temsilcinizden bilgi alınır.			
	W3-508 ( 26.2 - 31 )	ETEK ADAPTÖRÜ PLINTH ADAPTER	330		W-507 ( 44 - 55 )	PANJUR DÜŞEY PROFİLİ SHUTTER VERTICAL PROFILE	834
				⚠ İşaretti profil için satış temsilcinizden bilgi alınır.			


Profil değerleri teoriktir. Ağırlık olarak testimde yapılan tartım geçerlidir.  
Profil imalatları TS EN 12020-2 ve TS EN 755-9 toleransı,  
Moment değerleri EN 14024'e göre hesaplanmıştır.

Profile values are theoretical pre-shipment weight will be valid.  
The tolerances of Profile manufacturing are calculated according to EN 12020-2  
and TS EN 755-9; moment values are calculated according to EN 14024.

## W3

ÜRÜN TEKNİK ÖZELLİKLERİ  
PRODUCT'S TECHNICAL FEATURES

PROFİL KESİTİ PROFILE VIEW	PROFİL NO PROFILE NO	PROFİL AÇIKLAMASI PROFILE DESCRIPTION	gr/m	PROFİL KESİTİ PROFILE VIEW	PROFİL NO PROFILE NO	PROFİL AÇIKLAMASI PROFILE DESCRIPTION	gr/m
	W-511 ( 3.5 - 24.5 )	CAM ÇİTASI GLASS BEAM	187		W-512-a ( 7.5 - 24.5 )	CAM ÇİTASI GLASS BEAM	194
	W-512 ( 7.5 - 24.5 )	CAM ÇİTASI GLASS BEAM	206		W-513-a ( 11.5 - 24.4 )	CAM ÇİTASI GLASS BEAM	216
	W-513 ( 11.5 - 24.5 )	CAM ÇİTASI GLASS BEAM	227		W-514-a ( 15.5 - 24.4 )	CAM ÇİTASI GLASS BEAM	228
	W-514 ( 15.5 - 24.5 )	CAM ÇİTASI GLASS BEAM	252		W-515-a ( 19.5 - 24.4 )	CAM ÇİTASI GLASS BEAM	242
	W-515 ( 19.5 - 24.5 )	CAM ÇİTASI GLASS BEAM	273		W-516-a ( 23.5 - 24.4 )	CAM ÇİTASI GLASS BEAM	270
	W-516 ( 23.5 - 24.5 )	CAM ÇİTASI GLASS BEAM	286		W-517-a ( 27.5 - 24.4 )	CAM ÇİTASI GLASS BEAM	284
	W-517 ( 27.5 - 24.5 )	CAM ÇİTASI GLASS BEAM	299		W-518-a ( 31.5 - 24.4 )	CAM ÇİTASI GLASS BEAM	297
	W-518 ( 31.5 - 24.5 )	CAM ÇİTASI GLASS BEAM	316		W-519-a ( 35.5 - 24.4 )	CAM ÇİTASI GLASS BEAM	316
	W-519 ( 35.5 - 24.5 )	CAM ÇİTASI GLASS BEAM	336		W-520-a ( 39.5 - 24.4 )	CAM ÇİTASI GLASS BEAM	330
	W-520 ( 39.5 - 24.5 )	CAM ÇİTASI GLASS BEAM	351		W-521-a ( 43.5 - 24.4 )	CAM ÇİTASI GLASS BEAM	344
	W-511-a ( 3.5 - 24.4 )	CAM ÇİTASI GLASS BEAM	193		W-522-a ( 29.5 - 24.4 )	CAM ÇİTASI GLASS BEAM	278


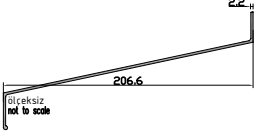

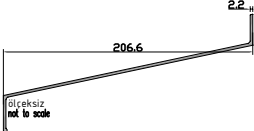

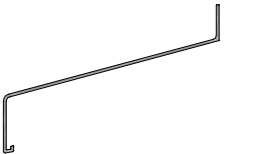

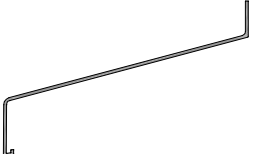

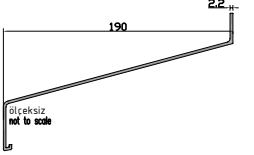

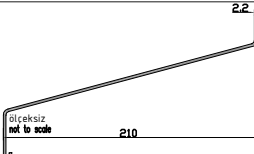





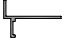


 İşaretili profil için satış temsilcilerinizden bilgi alınız.

Profil değerleri teoriktir. Ağırlık olarak testimde yapılan tartım geçerlidir.  
Profil imalatları TS EN 12020-2 ve TS EN 755-9 toleransı,  
Moment değerleri EN 14024'e göre hesaplanmıştır.

Profile values are theoretical pre-shipment weight will be valid.  
The tolerances of Profile manufacturing are calculated according to EN 12020-2  
and TS EN 755-9; moment values are calculated according to EN 14024.

# W3

## ÜRÜN TEKNİK ÖZELLİKLERİ PRODUCT'S TECHNICAL FEATURES



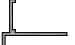
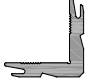

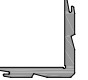

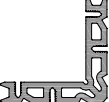
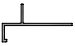
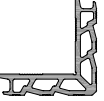


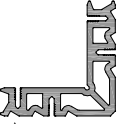

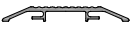
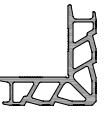
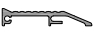
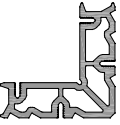

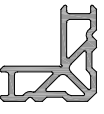

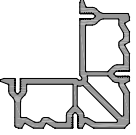
PROFİL KESİTİ PROFILE VIEW	PROFİL NO PROFILE NO	PROFİL AÇIKLAMASI PROFILE DESCRIPTION	gr/m	PROFİL KESİTİ PROFILE VIEW	PROFİL NO PROFILE NO	PROFİL AÇIKLAMASI PROFILE DESCRIPTION	gr/m
	<b>W-512-B</b> ( 7.5 - 24.2 )	<b>CAM ÇITASI</b> GLASS BEAM	227		<b>W-528</b> ( 206.6 - 19 )	<b>DENİZLİK PROFİLİ</b> CULVERT PROFILE	1367
	<b>W-509</b> ( 95 - 4 )	<b>LAMBİRİ PROFİLİ</b> WAINSCOT PROFILE	319		<b>W-529</b> ( 206.6 - 2.2 )	<b>DENİZLİK PROFİLİ</b> CULVERT PROFILE	1577
	<b>W-510</b> ( 4.3 - 92.7 )	<b>LAMBİRİ PROFİLİ</b> WAINSCOT PROFILE	342		<b>W-530</b> ( 150 - 2 )	<b>DENİZLİK PROFİLİ</b> CULVERT PROFILE	1209
	<b>W-521</b> ( 124 - 10 )	<b>LAMBİRİ PROFİLİ</b> WAINSCOT PROFILE	805		<b>W-531</b> ( 170 - 2 )	<b>DENİZLİK PROFİLİ</b> CULVERT PROFILE	1322
	<b>W-522</b> ( 88 - 10 )	<b>LAMBİRİ PROFİLİ</b> WAINSCOT PROFILE	519		<b>W-532</b> ( 190 - 2.2 )	<b>DENİZLİK PROFİLİ</b> CULVERT PROFILE	1573
	<b>W-523</b> ( 45 - 75.8 )	<b>MENFEZ PROFİLİ</b> CULVERT PROFILE	647		<b>W-533</b> ( 210 - 2.2 )	<b>DENİZLİK PROFİLİ</b> CULVERT PROFILE	1696
	<b>W-524</b> ( 105 - 1.6 )	<b>DENİZLİK PROFİLİ</b> CULVERT PROFILE	639		<b>W-534</b> ( 40 - 26.5 )	<b>BİNİ PROFİLİ</b> INTERLOCKING PROFILE	328
	<b>W-525</b> ( 105 - 1.8 )	<b>DENİZLİK PROFİLİ</b> CULVERT PROFILE	714		<b>W-535</b> ( 40 - 26.5 )	<b>BİNİ PROFİLİ</b> INTERLOCKING PROFILE	229
	<b>W-526</b> ( 160.61 - 1.8 )	<b>DENİZLİK PROFİLİ</b> CULVERT PROFILE	1066		<b>W-536</b> ( 40 - 26 )	<b>BİNİ PROFİLİ</b> INTERLOCKING PROFILE	292
	<b>W-527</b> ( 160.61 - 2 )	<b>DENİZLİK PROFİLİ</b> CULVERT PROFILE	1181		<b>W-537</b> ( 25 - 26 )	<b>BİNİ PROFİLİ</b> INTERLOCKING PROFILE	226

Profil değerleri teoriktir. Ağırlık olarak testimde yapılan tartım geçerlidir.  
Profil imalatları TS EN 12020-2 ve TS EN 755-9 toleransı,  
Moment değerleri EN 14024'e göre hesaplanmıştır.

Profile values are theoretical pre-shipment weight will be valid.  
The tolerances of Profile manufacturing are calculated according to EN 12020-2  
and TS EN 755-9; moment values are calculated according to EN 14024.

# W3

ÜRÜN TEKNİK ÖZELLİKLERİ  
PRODUCT'S TECHNICAL FEATURES

PROFİL KESİTİ PROFILE VIEW	PROFİL NO PROFILE NO	PROFİL AÇIKLAMASI PROFILE DESCRIPTION	gr/m	PROFİL KESİTİ PROFILE VIEW	PROFİL NO PROFILE NO	PROFİL AÇIKLAMASI PROFILE DESCRIPTION	gr/m
	<b>W-538</b> ( 25 - 25 )	<b>BİNİ PROFİLİ</b> INTERLOCKING PROFILE	249		<b>W4-505</b> ( 12.8 - 25 )	<b>ETEK ADAPTÖRÜ</b> PLINTH ADAPTER	184
	<b>W-539</b> ( 45 - 35 )	<b>BİNİ PROFİLİ</b> INTERLOCKING PROFILE	460		<b>SC0307</b> ( 55 - 55 )	<b>KÖŞE BİRLEŞTİRME</b> CORNER CLEATS	2140
	<b>W-540</b> ( 20.6 - 40.4 )	<b>BİNİ PROFİLİ</b> INTERLOCKING PROFILE	208		<b>SC0309</b> ( 55 - 55 )	<b>KÖŞE BİRLEŞTİRME</b> CORNER CLEATS	1636
	<b>W-541</b> ( 28 - 26.7 )	<b>BİNİ PROFİLİ</b> INTERLOCKING PROFILE	219		<b>W-601</b> ( 74 - 74 )	<b>KÖŞE BİRLEŞTİRME</b> CORNER CLEATS	3428
	<b>W-542</b> ( 48.5 - 26.3 )	<b>BİNİ PROFİLİ</b> INTERLOCKING PROFILE	306		<b>W-611</b> ( 70 - 70 )	<b>KÖŞE BİRLEŞTİRME</b> CORNER CLEATS	2520
  İşaretti profil için satış temsilcinizden bilgi alınız.	<b>W-543</b> ( 20 - 22.1 )	<b>KASA ADAPTÖRÜ</b> FRAME ADAPTER	213	  İşaretti profil için satış temsilcinizden bilgi alınız.	<b>W-601\2</b> ( 80 - 80 )	<b>KÖŞE BİRLEŞTİRME</b> CORNER CLEATS	4285
	<b>W-544</b> ( 88 - 10 )	<b>EŞİK PROFİLİ</b> THRESHOLD PROFILE	728		<b>W-611\2</b> ( 70 - 70 )	<b>KÖŞE BİRLEŞTİRME</b> CORNER CLEATS	2749
	<b>W-545</b> ( 62.3 - 12 )	<b>EŞİK PROFİLİ</b> THRESHOLD PROFILE	578		<b>W-602</b> ( 80 - 80 )	<b>KÖŞE BİRLEŞTİRME</b> CORNER CLEATS	4380
	<b>W-547</b> ( 54 - 9.7 )	<b>ÇARPMA MENTEŞE TAKOZU</b> IMPACT DOOR ADAPTER	621		<b>W-612</b> ( 67 - 67 )	<b>KÖŞE BİRLEŞTİRME</b> CORNER CLEATS	3524
	<b>W4-504</b> ( 17.3 - 25 )	<b>ETEK ADAPTÖRÜ</b> PLINTH ADAPTER	227		<b>W-603</b> ( 90 - 90 )	<b>KÖŞE BİRLEŞTİRME</b> CORNER CLEATS	4871

Profil değerleri teoriktir. Ağırlık olarak testimde yapılan tartım geçerlidir.  
Profil imalatları TS EN 12020-2 ve TS EN 755-9 toleransı,  
Moment değerleri EN 14024'e göre hesaplanmıştır.

Profile values are theoretical pre-shipment weight will be valid.  
The tolerances of Profile manufacturing are calculated according to EN 12020-2  
and TS EN 755-9; moment values are calculated according to EN 14024.

# W3

## ÜRÜN TEKNİK ÖZELLİKLERİ PRODUCT'S TECHNICAL FEATURES

PROFİL KESİTİ PROFILE VIEW	PROFİL NO PROFILE NO	PROFİL AÇIKLAMASI PROFILE DESCRIPTION	gr/m	PROFİL KESİTİ PROFILE VIEW	PROFİL NO PROFILE NO	PROFİL AÇIKLAMASI PROFILE DESCRIPTION	gr/m
	<b>W-613</b> ( 85 - 85 )	<b>KÖŞE BİRLEŞTİRME</b> CORNER CLEATS	3945		<b>W3-513</b> ( 27 - 46.3 )	<b>SAKLI KANAT SABİT ADAPT.</b> HIDDEN CASEMENT PROFILE ADAPT.	PVC 884 POLYAMID 875
	<b>W-604</b> ( 101 - 47.6 )	<b>KÖŞE BİRLEŞTİRME</b> CORNER CLEATS	5539		<b>W-558</b> ( 37.6 - 20 )	<b>ETEK ADAPTÖRÜ</b> PLINTH ADAPTER	173
	<b>W-614</b> ( 100 - 100 )	<b>KÖŞE BİRLEŞTİRME</b> CORNER CLEATS	5318		<b>W-559</b> ( 37.6 - 20 )	<b>ETEK ADAPTÖRÜ</b> PLINTH ADAPTER	216
	<b>W-605</b> ( 120,2 - 120,2 )	<b>KÖŞE BİRLEŞTİRME</b> CORNER CLEATS	6313		<b>W-546</b> ( 14.3 - 21 )	<b>KÖŞE ADAPTÖRÜ</b> CORNER ADAPTER	151
	<b>W-615</b> ( 101 - 61.6 )	<b>KÖŞE BİRLEŞTİRME</b> CORNER CLEATS	5725		<b>W1-552</b> ( 55 )	<b>KÖŞE PROFİLİ</b> CORNER PROFILE	PVC 1348 POLYAMID 1339
	<b>W-606</b> ( 23.6 - 39.2 )	<b>ORTA KAYIT BİRLEŞTİRME</b> CORNER CLEATS FOR TRANSOM	482		<b>W-608\2</b> ( 23.6-39.5 )	<b>ORTA KAYIT BİRLEŞTİRME</b> CORNER CLEATS FOR TRANSOM	904
	<b>W-607</b> ( 8.2 - 36.8 )	<b>ORTA KAYIT BİRLEŞTİRME</b> CORNER CLEATS FOR TRANSOM	431		<b>W4-508</b> ( 17.3 - 55 )	<b>PERVAZ ADAPTÖRÜ</b> FRAME ADAPTER	356
	<b>W-608</b> ( 24.1 - 39 )	<b>ORTA KAYIT BİRLEŞTİRME</b> CORNER CLEATS FOR TRANSOM	583		<b>W1-508</b> ( 4.2 - 19 )	<b>TİJ PROFİLİ</b> PUSHING ROD PROFILE	138
	<b>W3-501-a</b> ( 57 - 58.4 )	<b>AÇILIM ADAPTÖRÜ</b> OPENING ADAPTER	PVC 1349 POLYAMID 1340		<b>W-548</b> ( 52.6 - 41.4 )	<b>BİNİ PROFİLİ</b> INTERLOCKING PROFILE	424
	<b>W-557</b> ( 24.5 - 20.5 )	<b>ETEK ADAPTÖRÜ</b> PLINTH ADAPTER	260		<b>W-555</b> ( 17 - 47.5 )	<b>EŞİK PROFİLİ</b> THRESHOLD PROFILE	PVC 767 POLYAMID 758

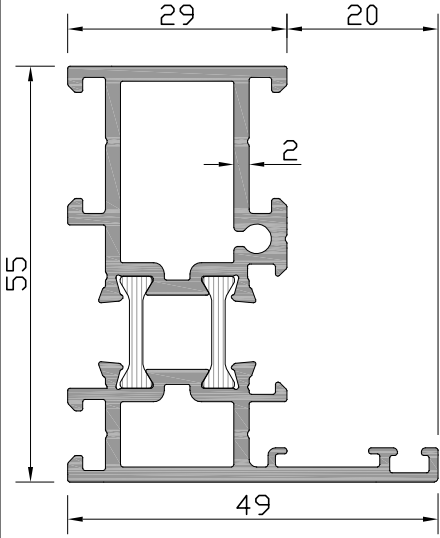
Profil değerleri teoriktir. Ağırlık olarak testimde yapılan tartım geçerlidir.  
Profil imalatları TS EN 12020-2 ve TS EN 755-9 toleransı,  
Moment değerleri EN 14024'e göre hesaplanmıştır.

Profile values are theoretical pre-shipment weight will be valid.  
The tolerances of Profile manufacturing are calculated according to EN 12020-2  
and TS EN 755-9; moment values are calculated according to EN 14024.



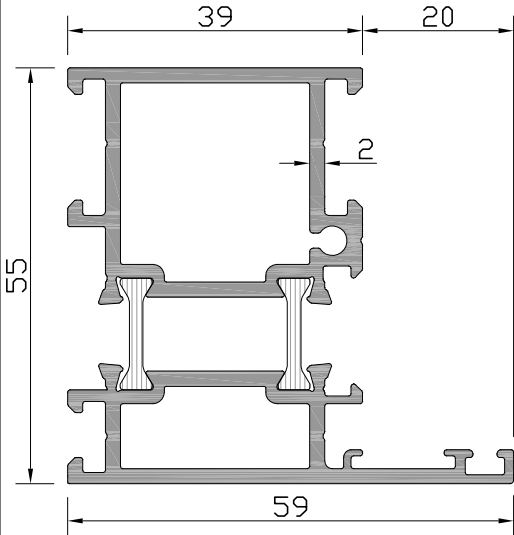
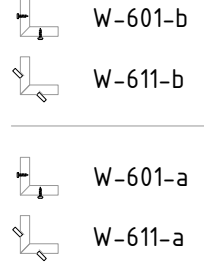
**W3**  
**W 55-2 T YALITIMLI SERİ PROFİLLERİ**  
W55-2 T INSULATED SERIES

ÜRÜN TEKNİK ÖZELLİKLERİ  
PRODUCT'S TECHNICAL FEATURES



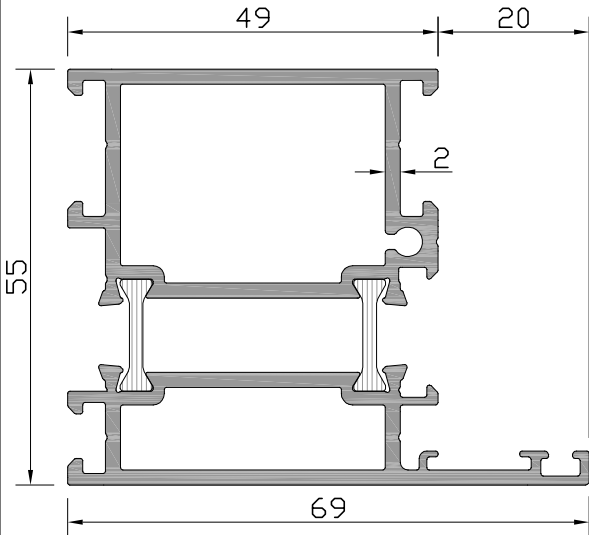
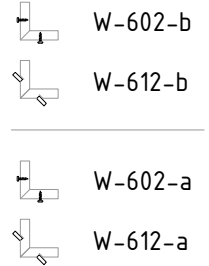
Profil No: W3-101

Ağırlık PVC	: 1364	gr/m
Ağırlık POLY	: 1355	gr/m
lx	: 12,68	cm <sup>4</sup>
ly	: 5,75	cm <sup>4</sup>



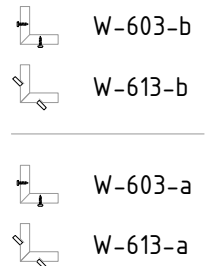
Profil No: W3-102

Ağırlık PVC	: 1580	gr/m
Ağırlık POLY	: 1572	gr/m
lx	: 15,13	cm <sup>4</sup>
ly	: 11,35	cm <sup>4</sup>



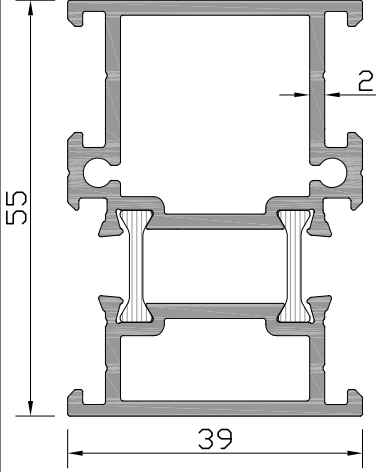
Profil No: W3-103

Ağırlık PVC	: 1797	gr/m
Ağırlık POLY	: 1789	gr/m
lx	: 17,57	cm <sup>4</sup>
ly	: 19,66	cm <sup>4</sup>



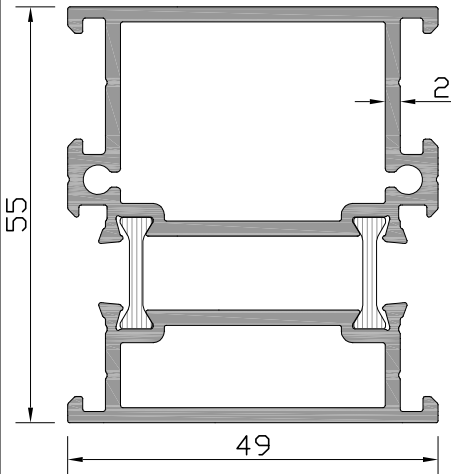
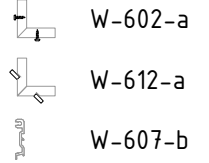
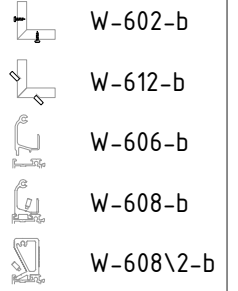
**W3**  
**W 55-2 T YALITIMLI SERİ PROFİLLERİ**  
W55-2 T INSULATED SERIES

ÜRÜN TEKNİK ÖZELLİKLERİ  
PRODUCT'S TECHNICAL FEATURES



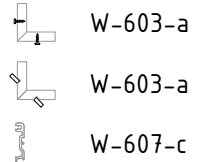
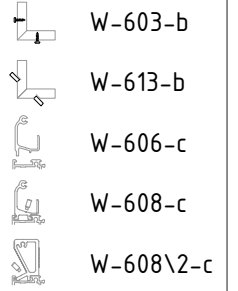
Profil No: W3-104

Ağırlık PVC	: 1440	gr/m
Ağırlık POLY	: 1432	gr/m
lx	: 13,01	cm <sup>4</sup>
ly	: 7,55	cm <sup>4</sup>

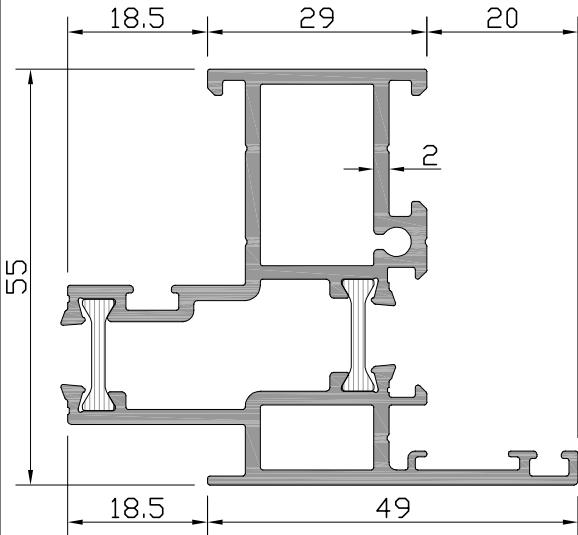


Profil No: W3-105 ⚠

Ağırlık PVC	: 1657	gr/m
Ağırlık POLY	: 1648	gr/m
lx	: 15,50	cm <sup>4</sup>
ly	: 14,41	cm <sup>4</sup>

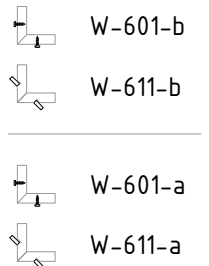


⚠ İşareti profil için satış temsilcinizden bilgi alınız.



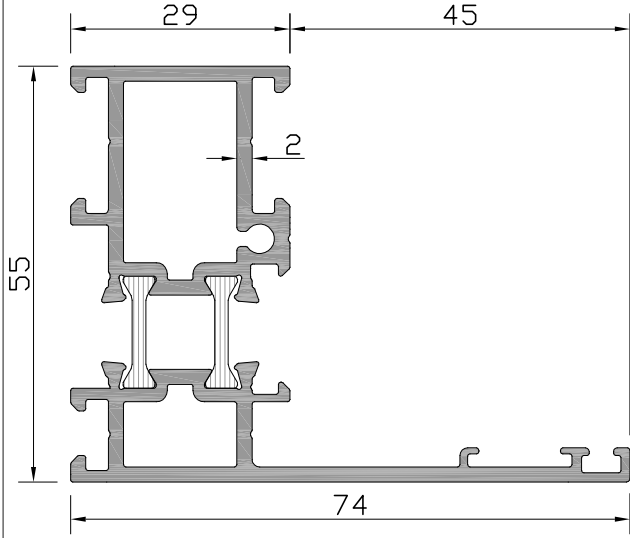
Profil No: W3-106

Ağırlık PVC	: 1563	gr/m
Ağırlık POLY	: 1554	gr/m
lx	: 13,37	cm <sup>4</sup>
ly	: 12,14	cm <sup>4</sup>



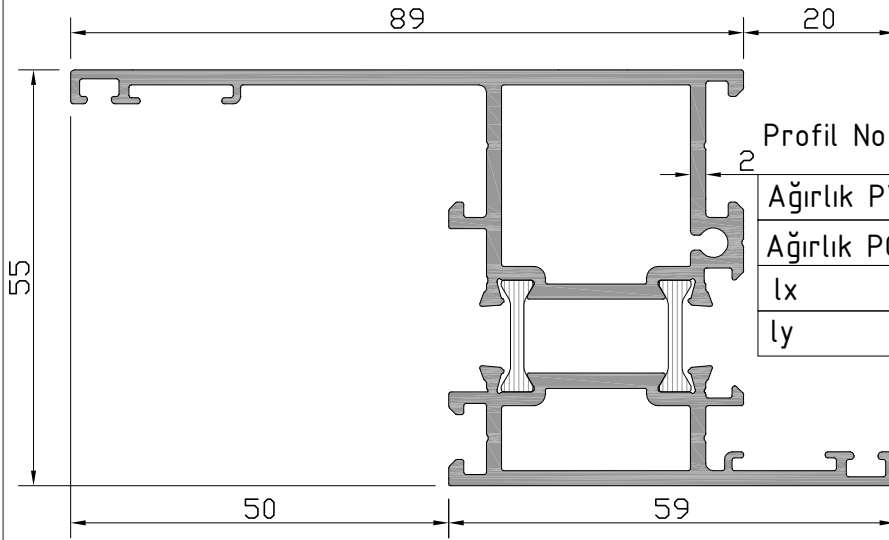
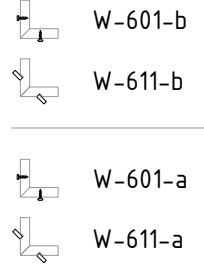
**W3**  
**W 55-2 T YALITIMLI SERİ PROFİLLERİ**  
W55-2 T INSULATED SERIES

ÜRÜN TEKNİK ÖZELLİKLERİ  
PRODUCT'S TECHNICAL FEATURES



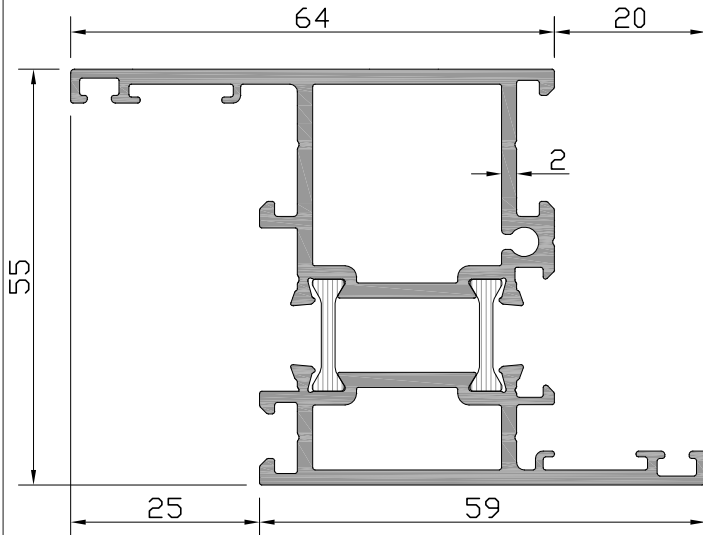
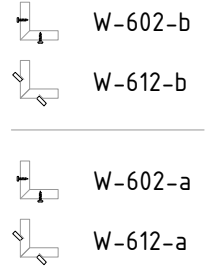
Profil No : W3-107

Ağırlık PVC :	1499	gr/m
Ağırlık POLY :	1491	gr/m
lx :	14,39	cm <sup>4</sup>
ly :	15,44	cm <sup>4</sup>



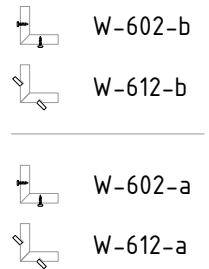
Profil No : W3-108

Ağırlık PVC :	1873	gr/m
Ağırlık POLY :	1864	gr/m
lx :	21,20	cm <sup>4</sup>
ly :	33,63	cm <sup>4</sup>



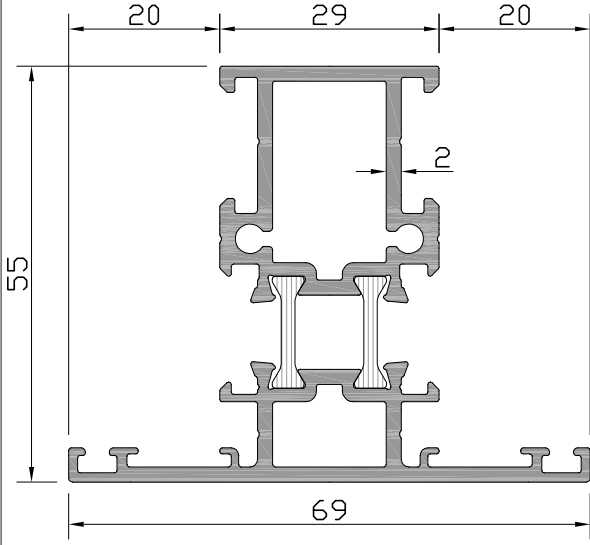
Profil No : W3-109

Ağırlık PVC :	1737	gr/m
Ağırlık POLY :	1729	gr/m
lx :	18,62	cm <sup>4</sup>
ly :	17,78	cm <sup>4</sup>



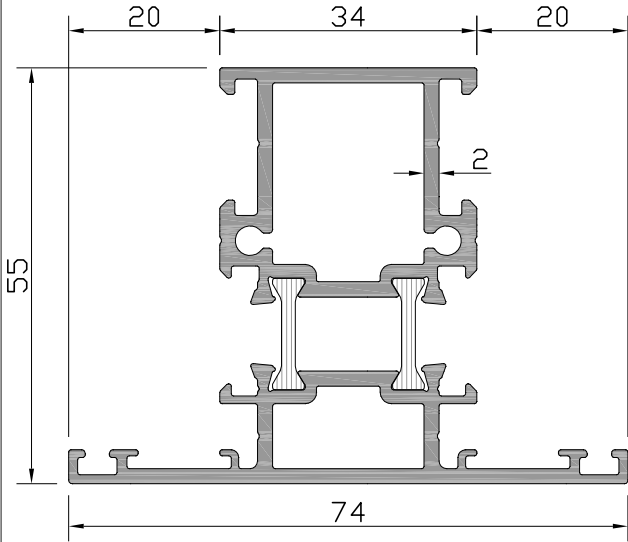
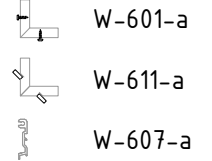
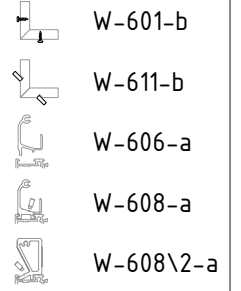
**W3**  
**W 55-2 T YALITIMLI SERİ PROFİLLERİ**  
W55-2 T INSULATED SERIES

ÜRÜN TEKNİK ÖZELLİKLERİ  
PRODUCT'S TECHNICAL FEATURES



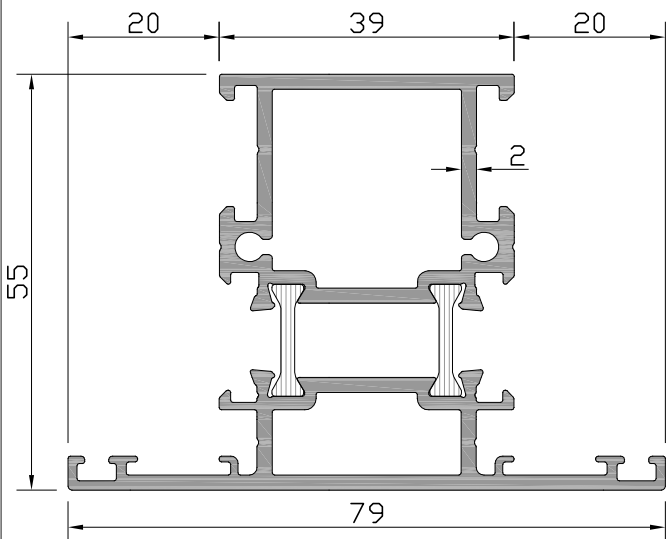
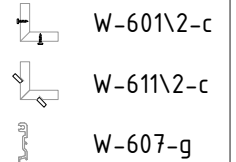
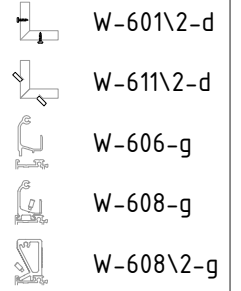
Profil No: W3-301

Ağırlık PVC	: 1520	gr/m
Ağırlık POLY	: 1512	gr/m
lx	: 14,31	cm <sup>4</sup>
ly	: 9,43	cm <sup>4</sup>



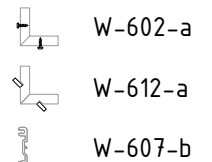
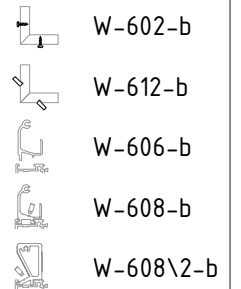
Profil No: W3-308

Ağırlık PVC	: 1629	gr/m
Ağırlık POLY	: 1620	gr/m
lx	: 15,54	cm <sup>4</sup>
ly	: 12,65	cm <sup>4</sup>



Profil No: W3-302

Ağırlık PVC	: 1737	gr/m
Ağırlık POLY	: 1729	gr/m
lx	: 16,77	cm <sup>4</sup>
ly	: 16,59	cm <sup>4</sup>

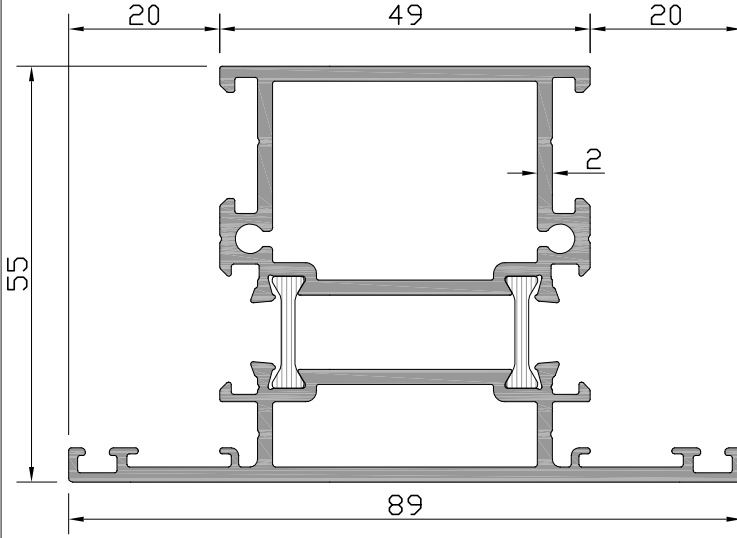


# W3

## W 55-2 T YALITIMLI SERİ PROFİLLERİ

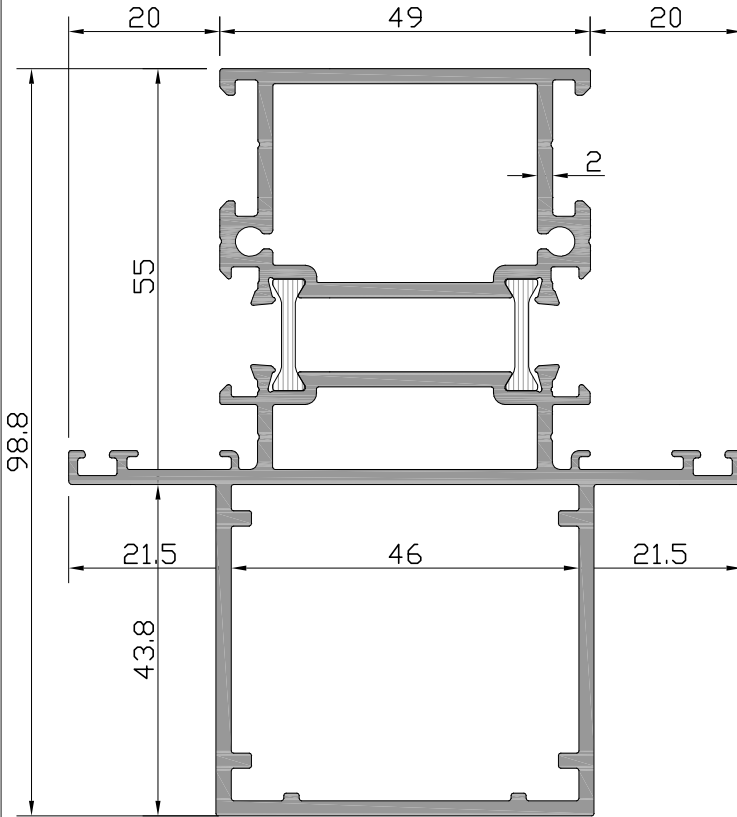
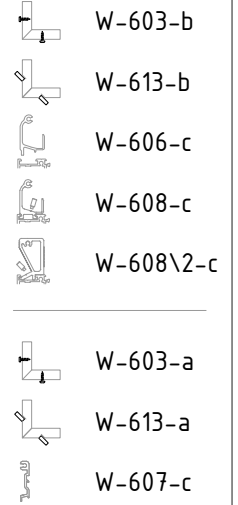
W55-2 T INSULATED SERIES

ÜRÜN TEKNİK ÖZELLİKLERİ  
PRODUCT'S TECHNICAL FEATURES



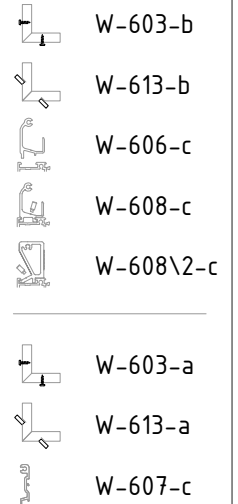
Profil No: W3-303

Ağırlık PVC	: 1954	gr/m
Ağırlık POLY	: 1946	gr/m
lx	: 19,22	cm <sup>4</sup>
ly	: 26,76	cm <sup>4</sup>



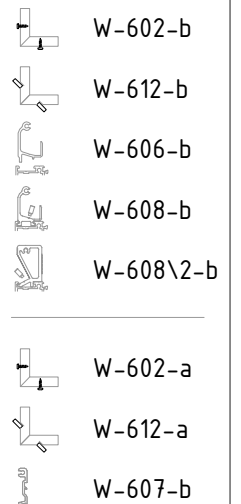
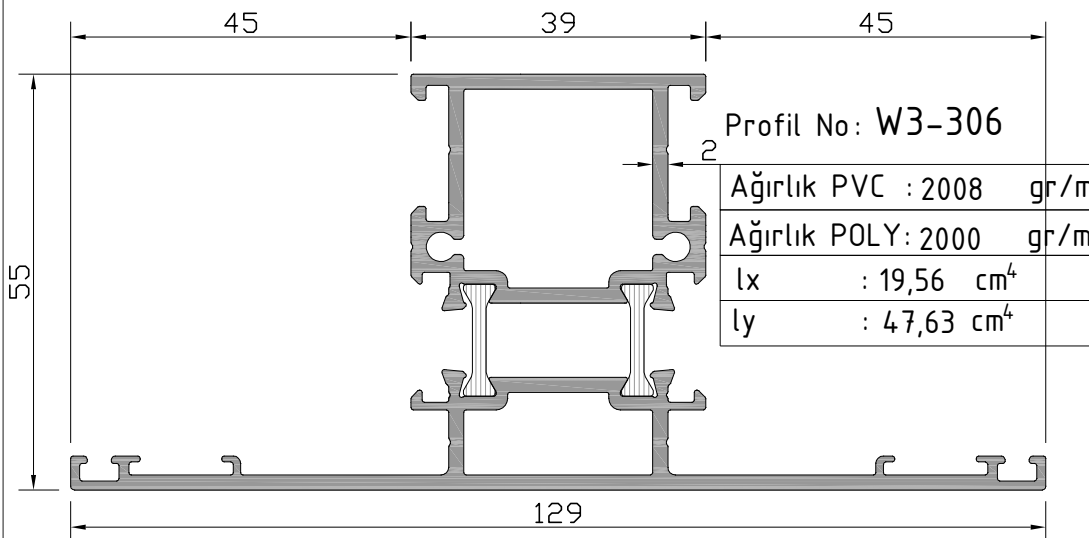
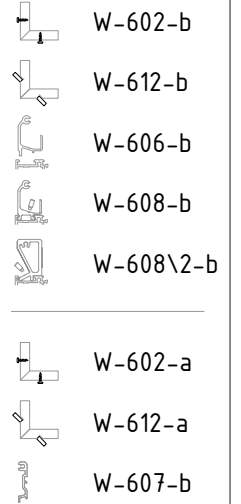
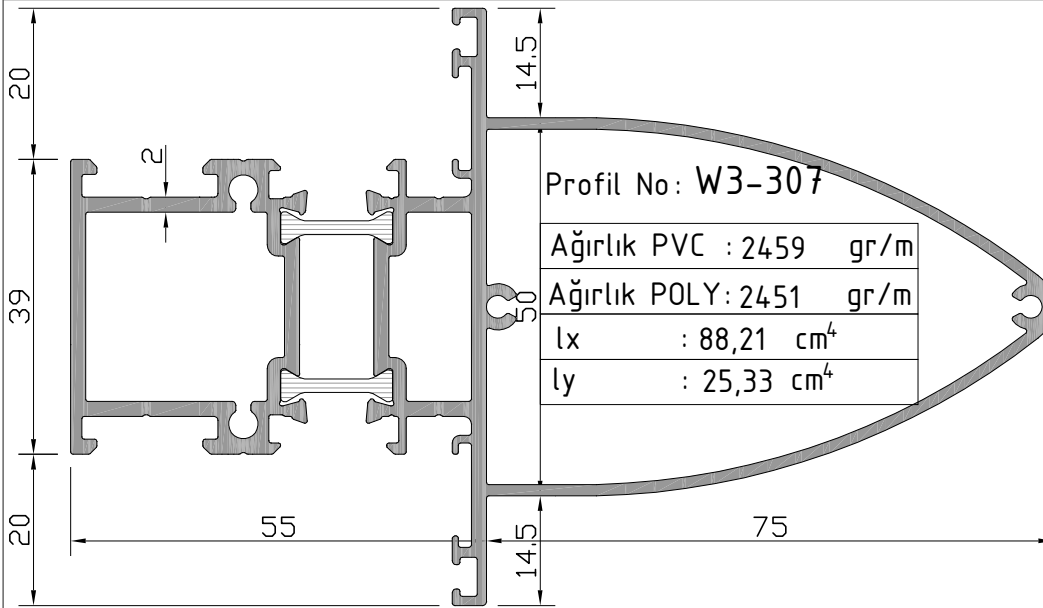
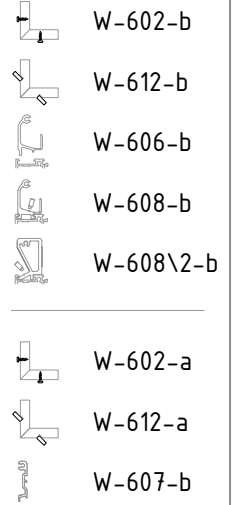
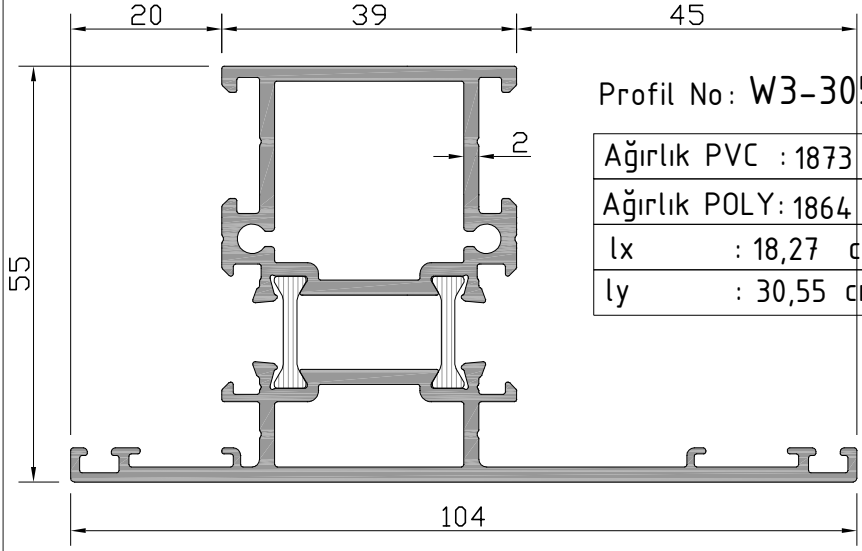
Profil No: W3-304

Ağırlık PVC	: 2748	gr/m
Ağırlık POLY	: 2739	gr/m
lx	: 68,52	cm <sup>4</sup>
ly	: 39,59	cm <sup>4</sup>



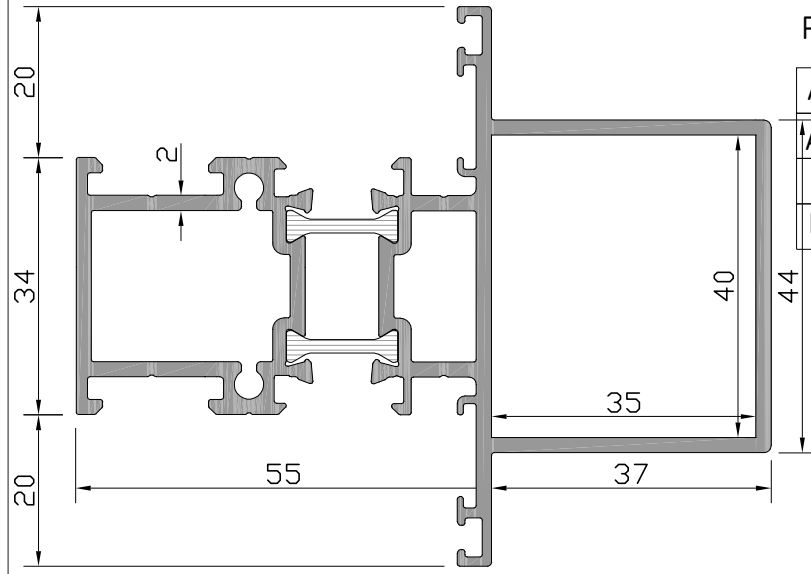
**W3**  
**W 55-2 T YALITIMLI SERİ PROFİLLERİ**  
W55-2 T INSULATED SERIES

ÜRÜN TEKNİK ÖZELLİKLERİ  
PRODUCT'S TECHNICAL FEATURES



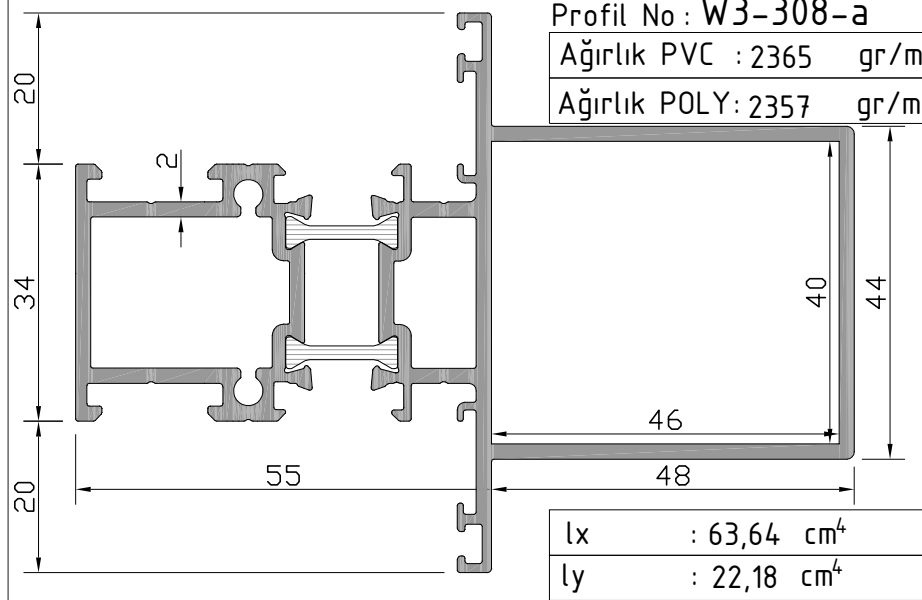
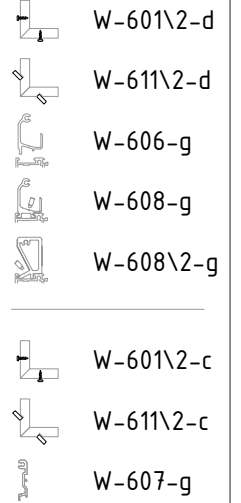
**W3**  
**W 55-2 T YALITIMLI SERİ PROFİLLERİ**  
W55-2 T INSULATED SERIES

ÜRÜN TEKNİK ÖZELLİKLERİ  
PRODUCT'S TECHNICAL FEATURES



Profil No: W3-308-b

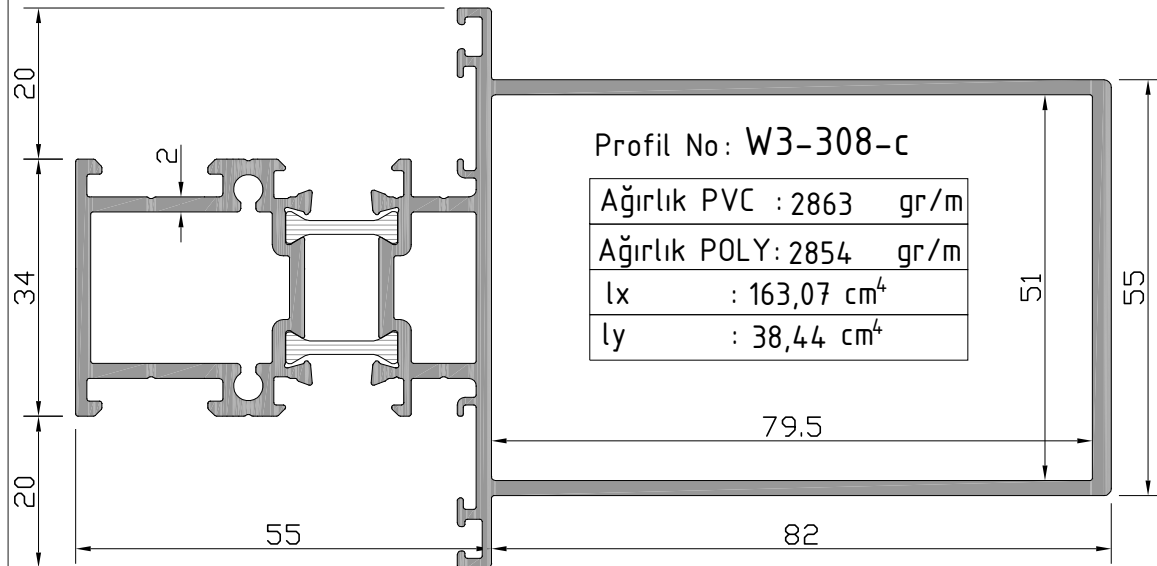
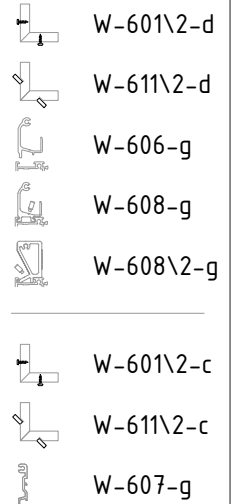
Ağırlık PVC	: 2246	gr/m
Ağırlık POLY	: 2237	gr/m
lx	: 47,04	cm <sup>4</sup>
ly	: 20,23	cm <sup>4</sup>



Profil No: W3-308-a

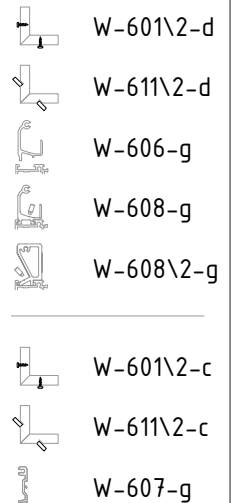
Ağırlık PVC	: 2365	gr/m
Ağırlık POLY	: 2357	gr/m

lx	: 63,64	cm <sup>4</sup>
ly	: 22,18	cm <sup>4</sup>



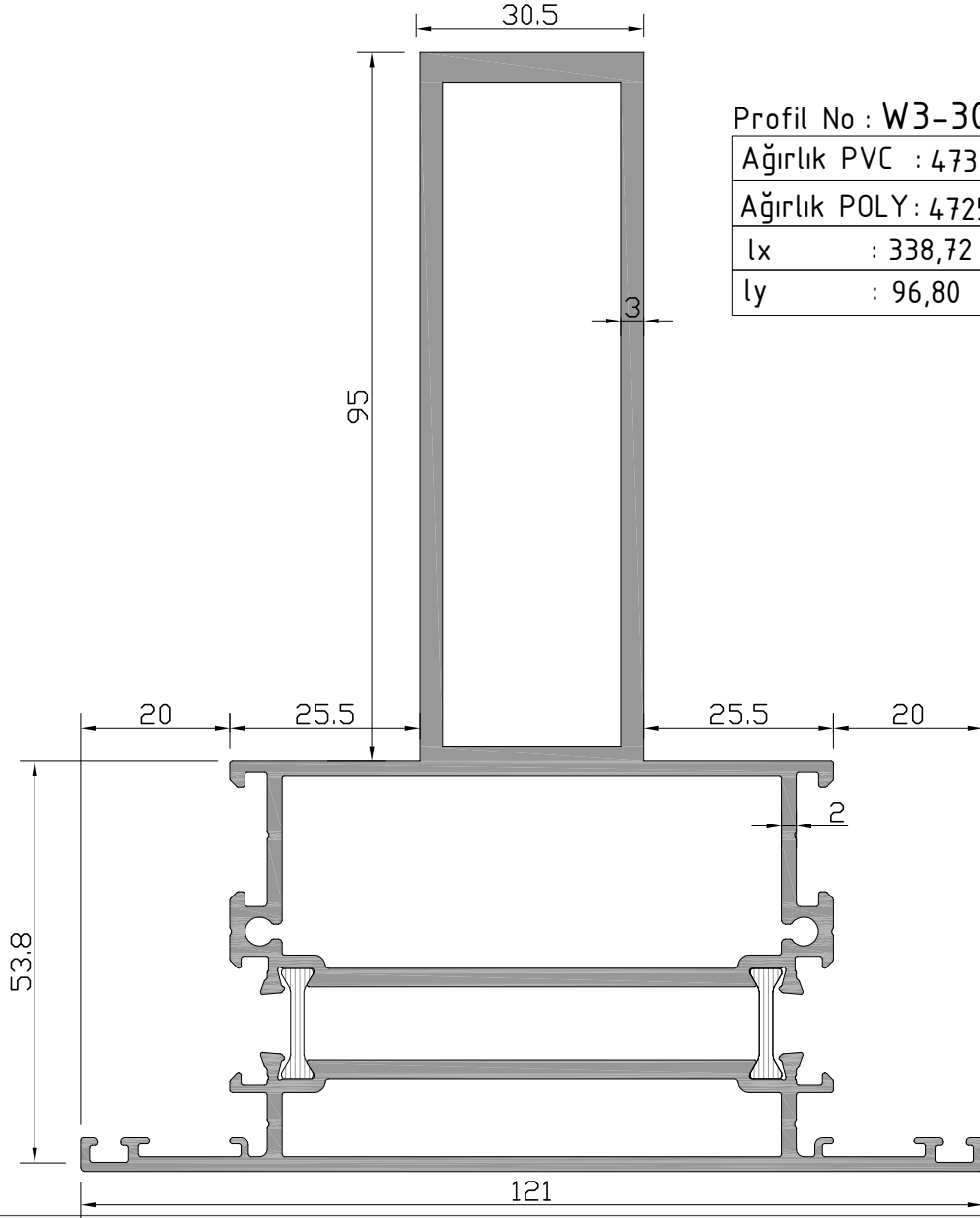
Profil No: W3-308-c





Ağırlık PVC	: 2863	gr/m
Ağırlık POLY	: 2854	gr/m
lx	: 163,07	cm <sup>4</sup>
ly	: 38,44	cm <sup>4</sup>

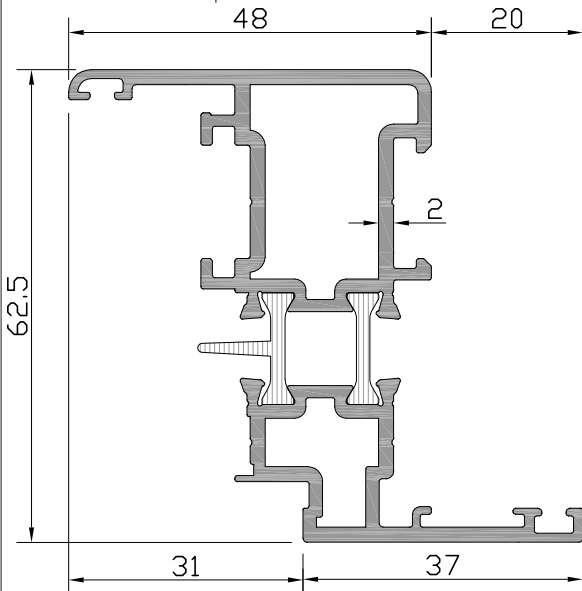


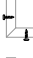
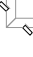
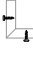
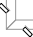
**W3**  
**W 55-2 T YALITIMLI SERİ PROFİLLERİ**  
W55-2 T INSULATED SERIES

ÜRÜN TEKNİK ÖZELLİKLERİ  
PRODUCT'S TECHNICAL FEATURES



-  W-606-I
-  W-608-I
-  W-608\2-I
-  W-607-I

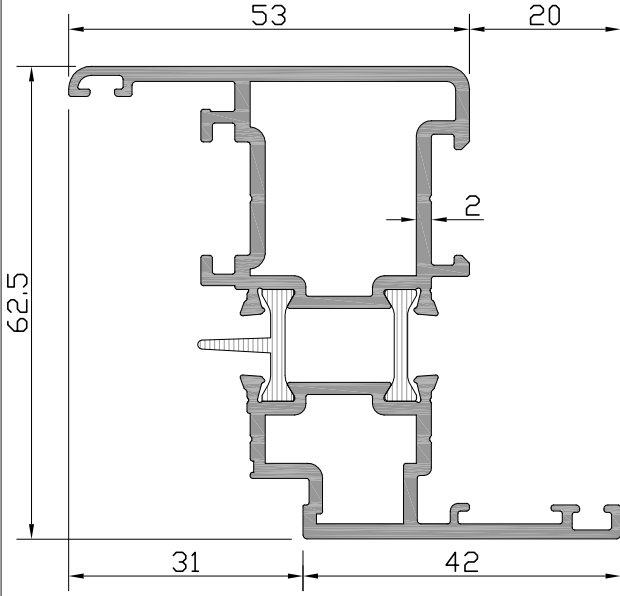


-  W-601-d
-  W-611-d
-  W-601-c
-  W-611-c



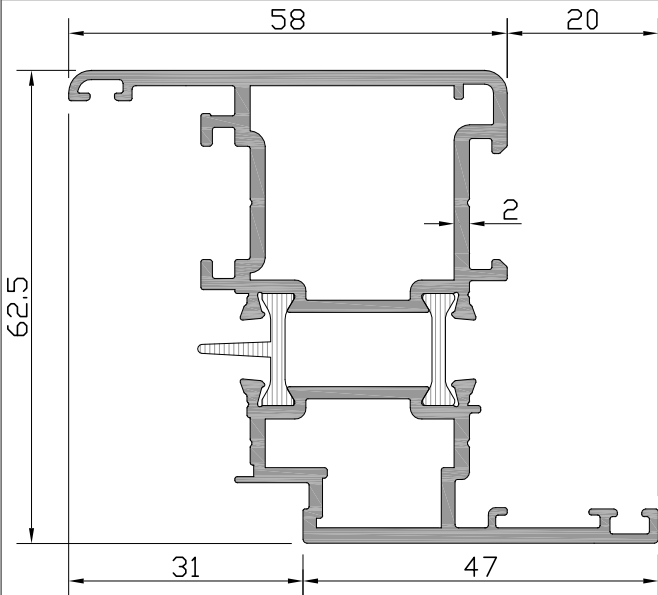
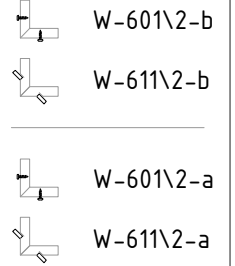
**W3**  
**W 55-2 T YALITIMLI SERİ PROFİLLERİ**  
W55-2 T INSULATED SERIES

ÜRÜN TEKNİK ÖZELLİKLERİ  
PRODUCT'S TECHNICAL FEATURES



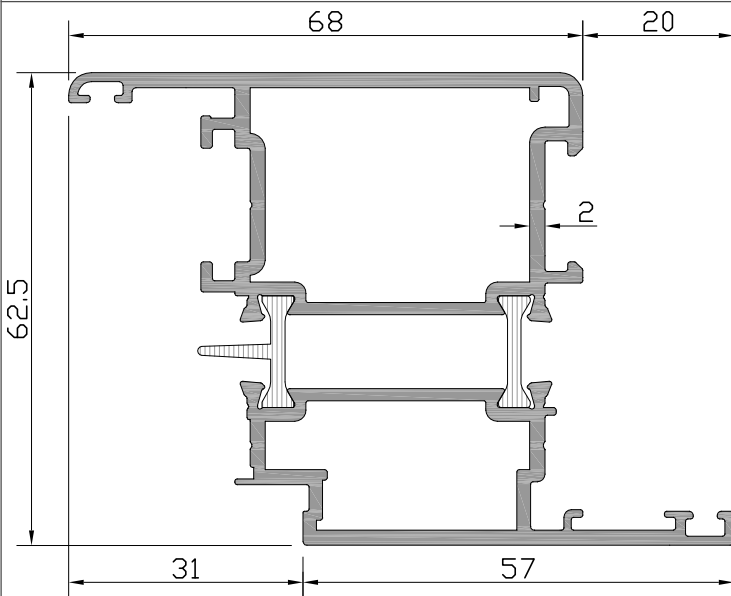
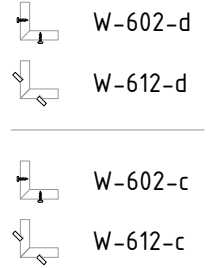
Profil No : W3-218

Ağırlık PVC	: 1617	gr/m
Ağırlık POLY	: 1608	gr/m
lx	: 20,80	cm <sup>4</sup>
ly	: 11,18	cm <sup>4</sup>



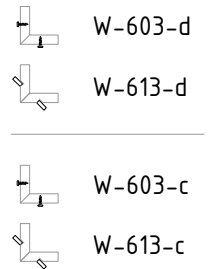
Profil No : W3-202

Ağırlık PVC	: 1740	gr/m
Ağırlık POLY	: 1730	gr/m
lx	: 22,56	cm <sup>4</sup>
ly	: 14,97	cm <sup>4</sup>



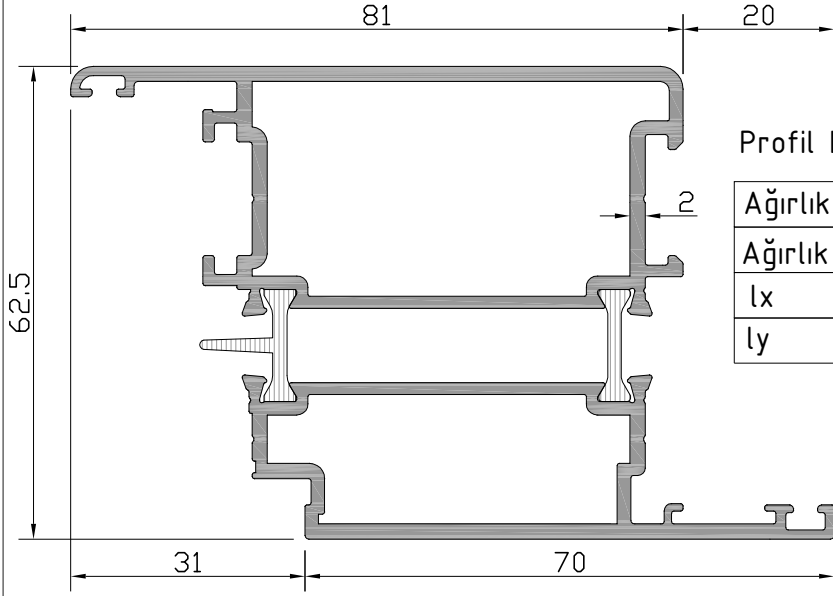
Profil No : W3-203

Ağırlık PVC	: 1935	gr/m
Ağırlık POLY	: 1925	gr/m
lx	: 25,61	cm <sup>4</sup>
ly	: 24,68	cm <sup>4</sup>



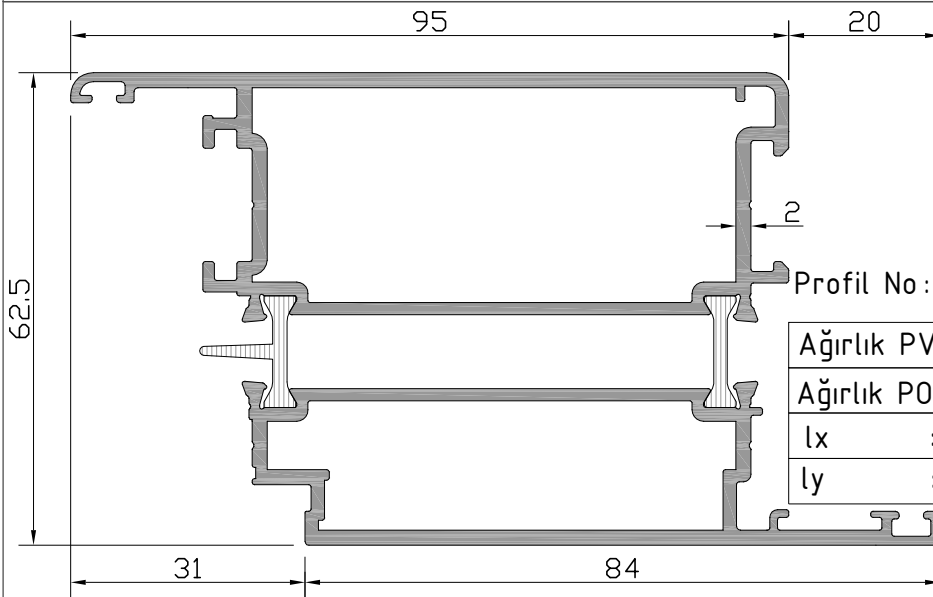
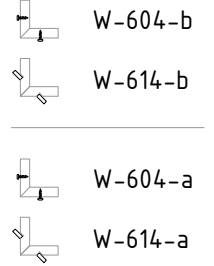
**W3**  
**W 55-2 T YALITIMLI SERİ PROFİLLERİ**  
W55-2 T INSULATED SERIES

ÜRÜN TEKNİK ÖZELLİKLERİ  
PRODUCT'S TECHNICAL FEATURES



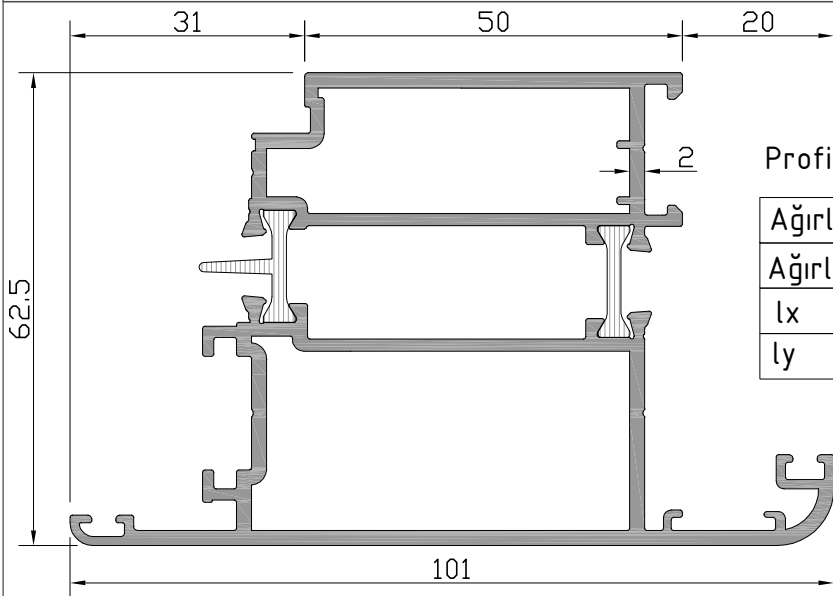
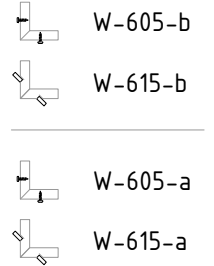
Profil No: W3-213

Ağırlık PVC	: 2172	gr/m
Ağırlık POLY	: 2162	gr/m
lx	: 29,36	cm <sup>4</sup>
ly	: 41,97	cm <sup>4</sup>



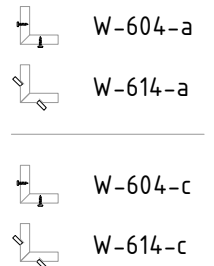
Profil No: W3-204

Ağırlık PVC	: 2458	gr/m
Ağırlık POLY	: 2447	gr/m
lx	: 33,77	cm <sup>4</sup>
ly	: 68,35	cm <sup>4</sup>



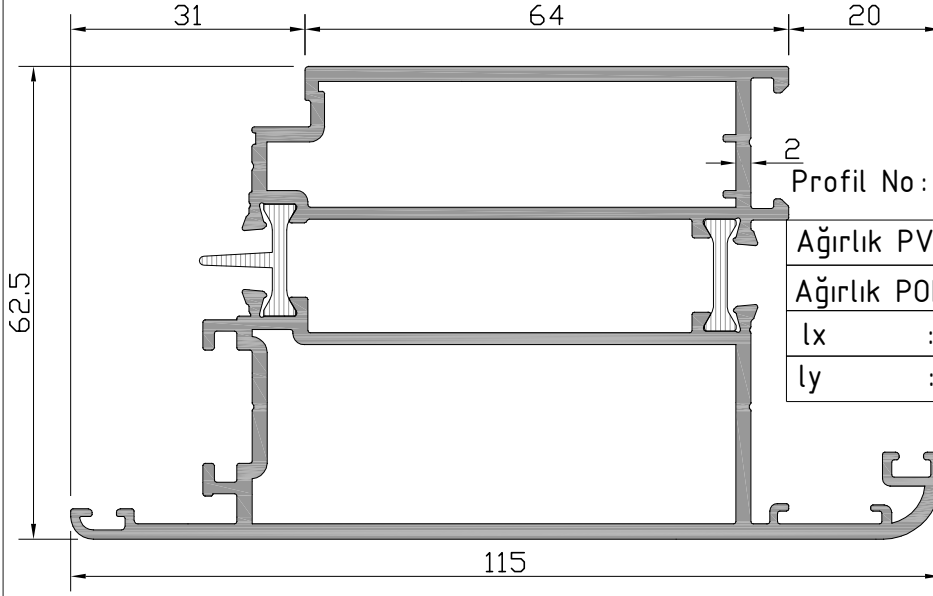
Profil No: W3-212

Ağırlık PVC	: 2230	gr/m
Ağırlık POLY	: 2219	gr/m
lx	: 29,01	cm <sup>4</sup>
ly	: 47,17	cm <sup>4</sup>



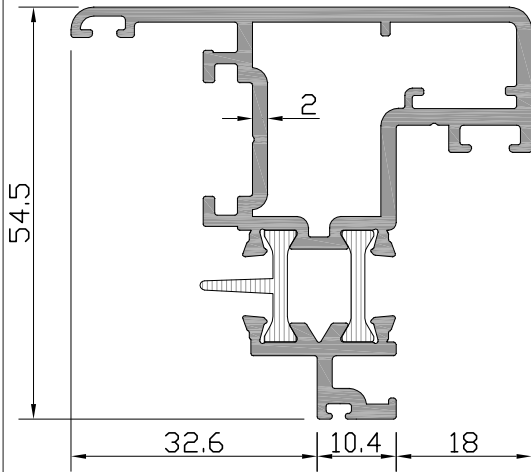
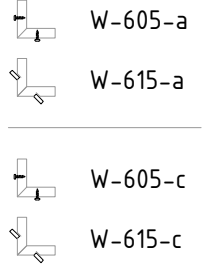
**W3**  
**W 55-2 T YALITIMLI SERİ PROFİLLERİ**  
W55-2 T INSULATED SERIES

ÜRÜN TEKNİK ÖZELLİKLERİ  
PRODUCT'S TECHNICAL FEATURES



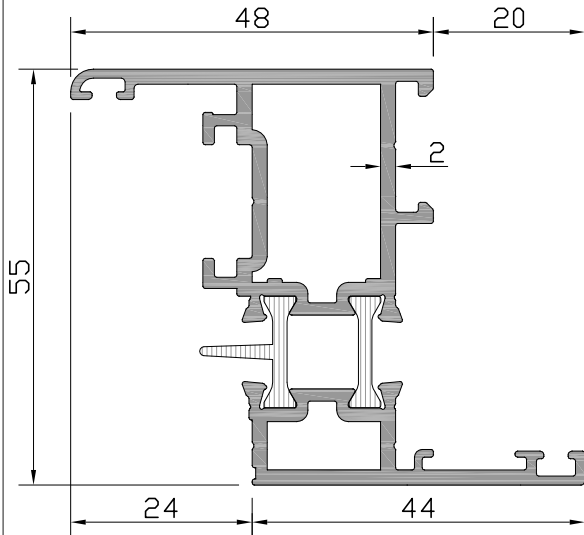
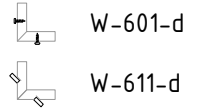
Profil No: W3-206

Ağırlık PVC	: 2500	gr/m
Ağırlık POLY	: 2490	gr/m
lx	: 33,41	cm <sup>4</sup>
ly	: 74,43	cm <sup>4</sup>



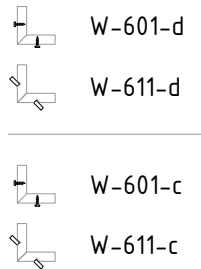
Profil No: W3-208

Ağırlık PVC	: 1397	gr/m
Ağırlık POLY	: 1387	gr/m
lx	: 10,86	cm <sup>4</sup>
ly	: 9,35	cm <sup>4</sup>



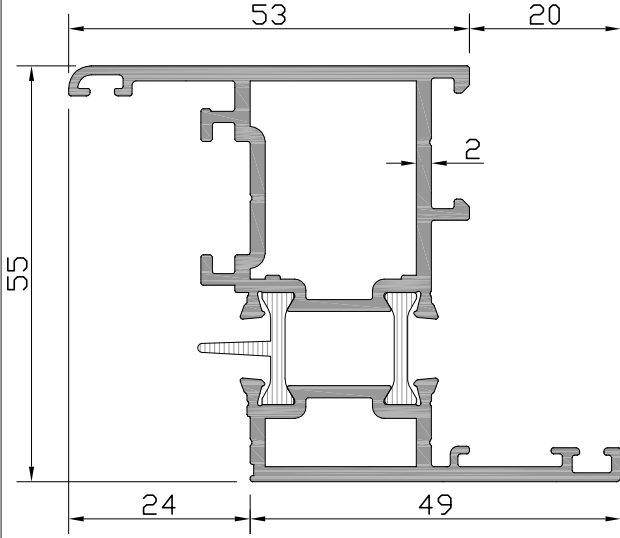
Profil No: W3-216

Ağırlık PVC	: 1429	gr/m
Ağırlık POLY	: 1418	gr/m
lx	: 14,86	cm <sup>4</sup>
ly	: 7,88	cm <sup>4</sup>



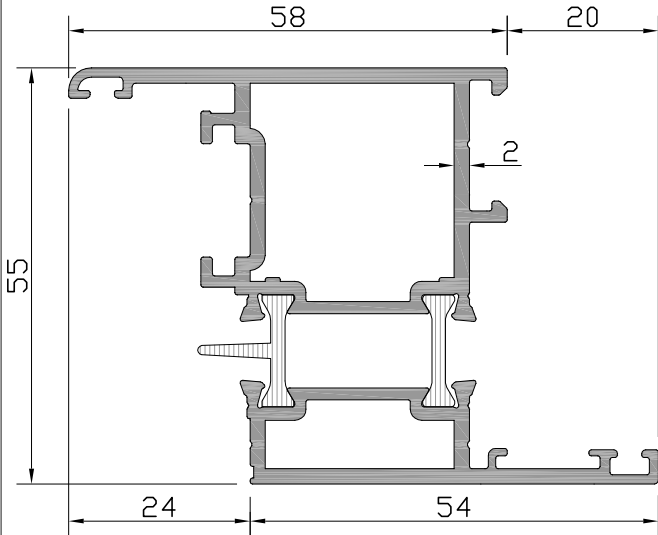
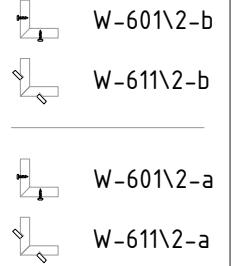
**W3**  
**W 55-2 T YALITIMLI SERİ PROFİLLERİ**  
W55-2 T INSULATED SERIES

ÜRÜN TEKNİK ÖZELLİKLERİ  
PRODUCT'S TECHNICAL FEATURES



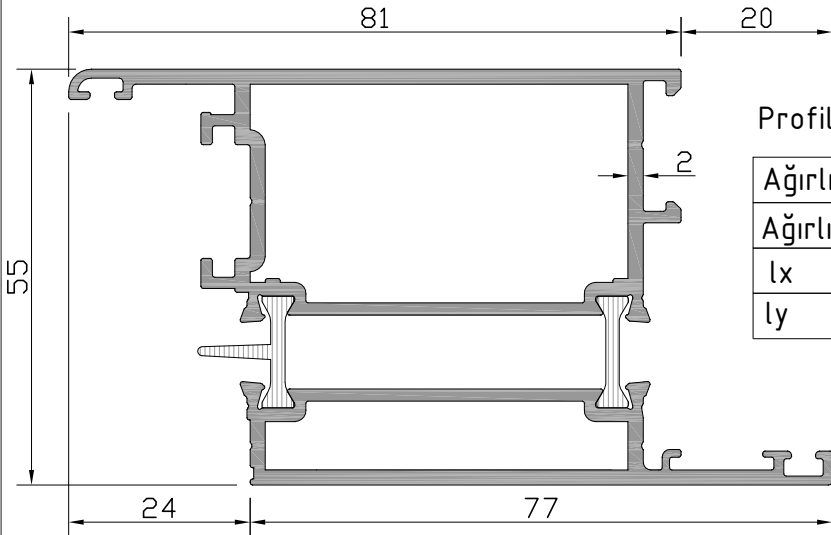
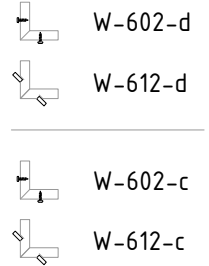
Profil No: W3-219

Ağırlık PVC	: 1518	gr/m
Ağırlık POLY	: 1508	gr/m
lx	: 16,12	cm <sup>4</sup>
ly	: 10,72	cm <sup>4</sup>



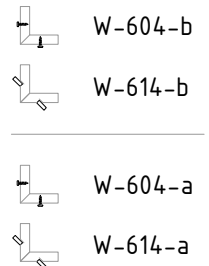
Profil No: W3-217

Ağırlık PVC	: 1624	gr/m
Ağırlık POLY	: 1613	gr/m
lx	: 17,38	cm <sup>4</sup>
ly	: 14,20	cm <sup>4</sup>



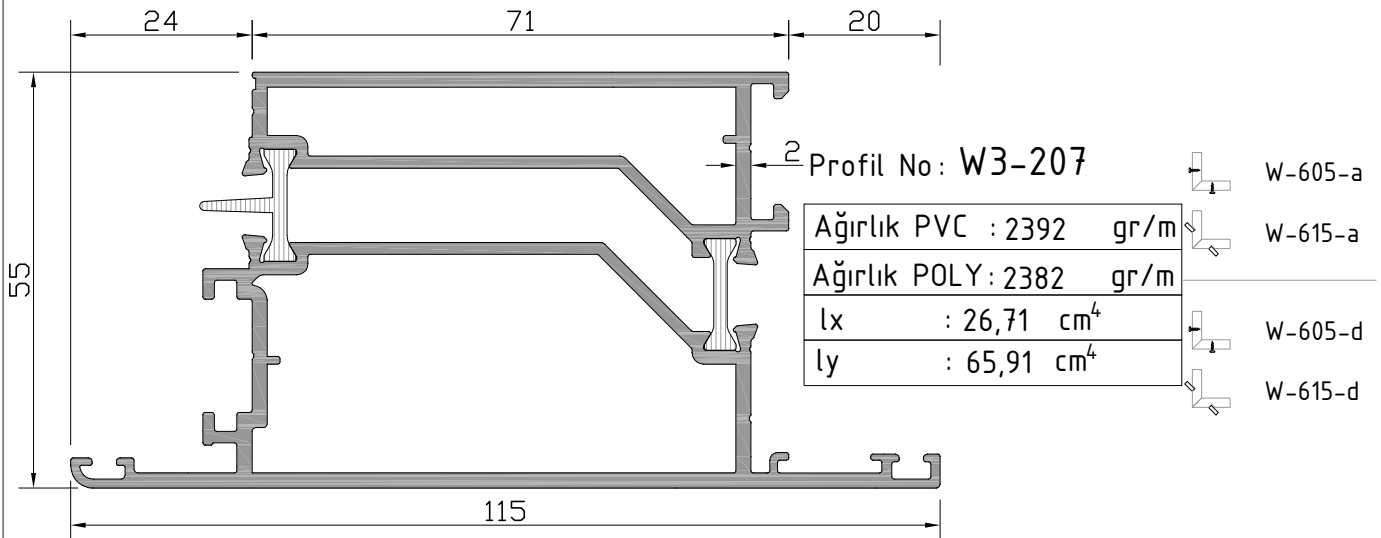
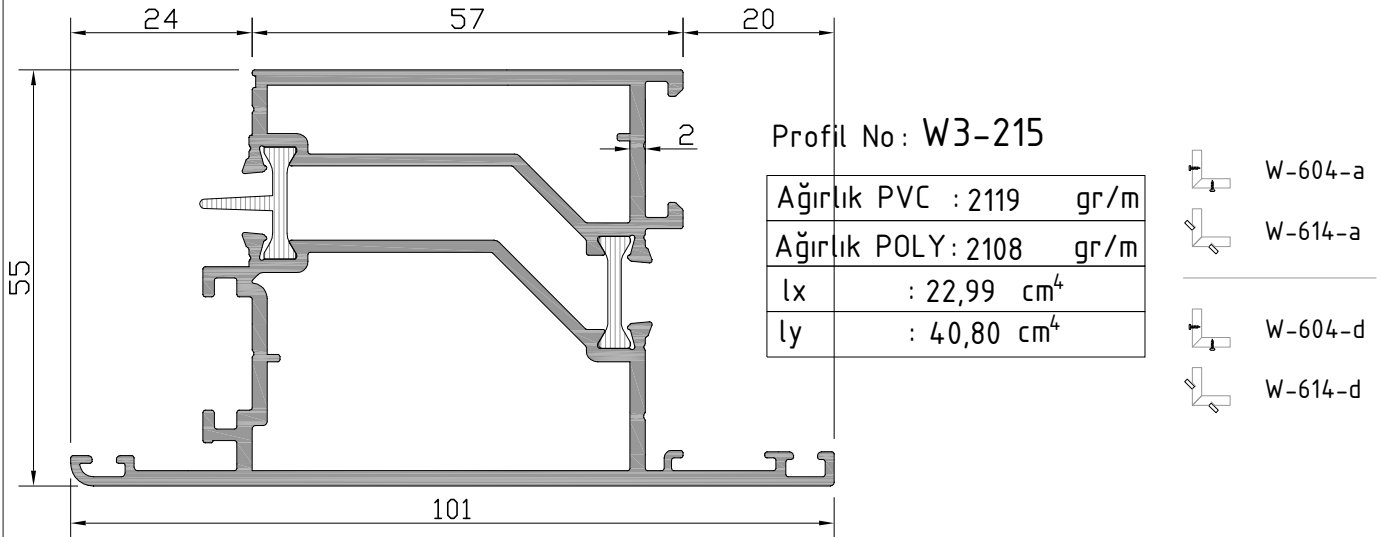
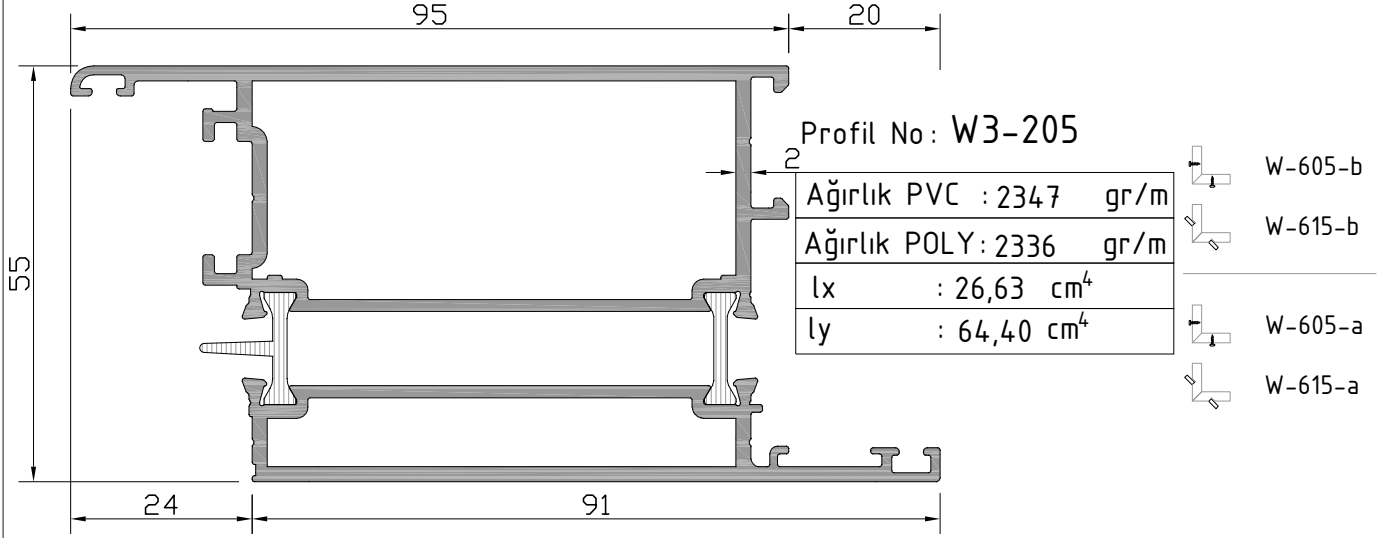
Profil No: W3-214

Ağırlık PVC	: 2069	gr/m
Ağırlık POLY	: 2059	gr/m
lx	: 23,12	cm <sup>4</sup>
ly	: 39,70	cm <sup>4</sup>



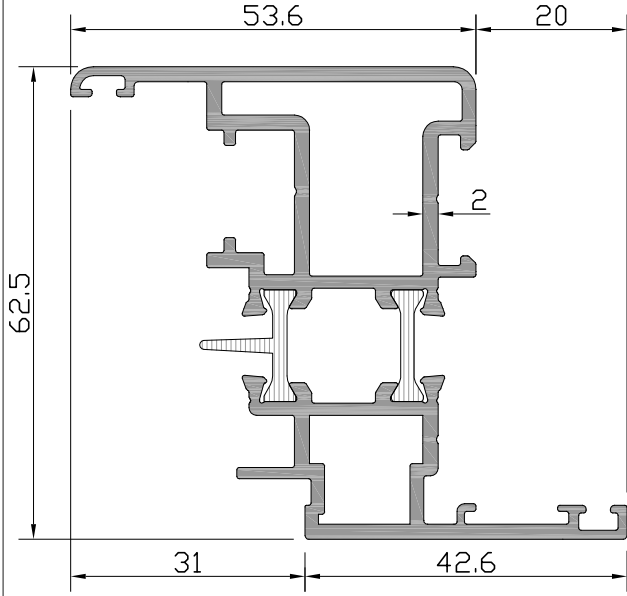
**W3**  
**W 55-2 T YALITIMLI SERİ PROFİLLERİ**  
W55-2 T INSULATED SERIES

ÜRÜN TEKNİK ÖZELLİKLERİ  
PRODUCT'S TECHNICAL FEATURES



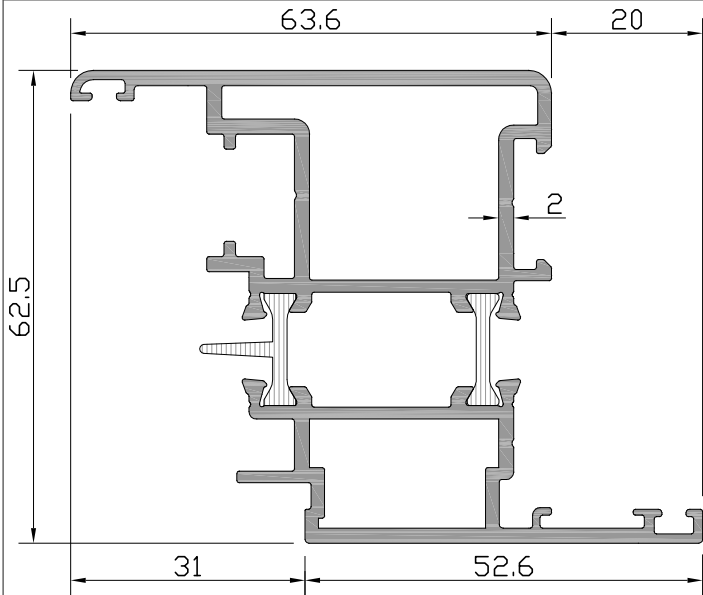
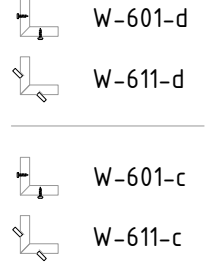
**W3**  
**W 55-2 T YALITIMLI SERİ PROFİLLERİ**  
W55-2 T INSULATED SERIES

ÜRÜN TEKNİK ÖZELLİKLERİ  
PRODUCT'S TECHNICAL FEATURES



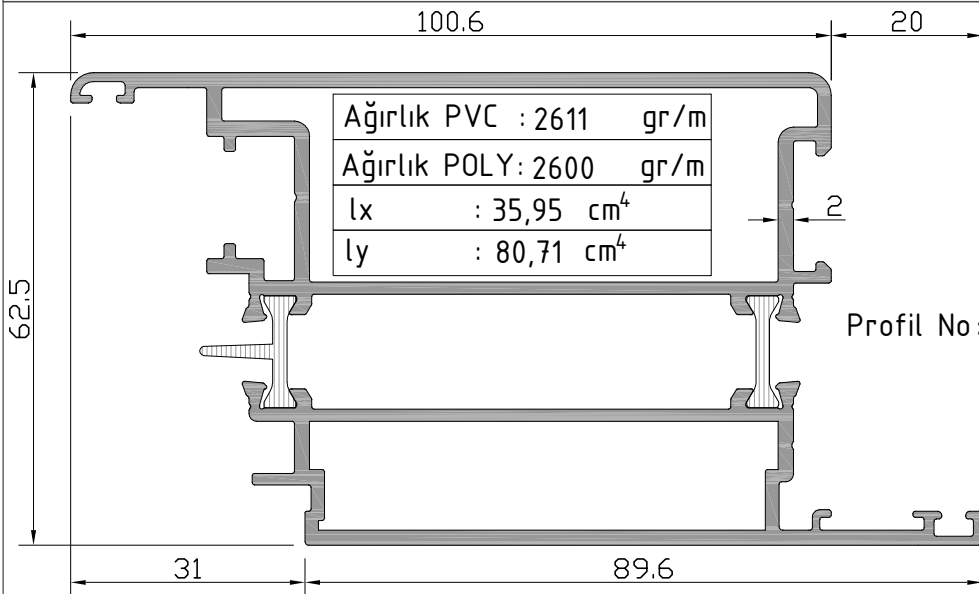
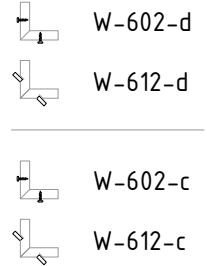
Profil No: W3-209

Ağırlık PVC	: 1702	gr/m
Ağırlık POLY	: 1691	gr/m
lx	: 21,60	cm <sup>4</sup>
ly	: 11,29	cm <sup>4</sup>



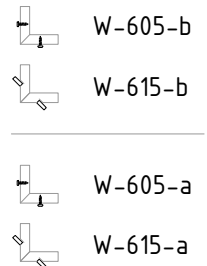
Profil No: W3-210

Ağırlık PVC	: 1897	gr/m
Ağırlık POLY	: 1886	gr/m
lx	: 24,69	cm <sup>4</sup>
ly	: 19,53	cm <sup>4</sup>



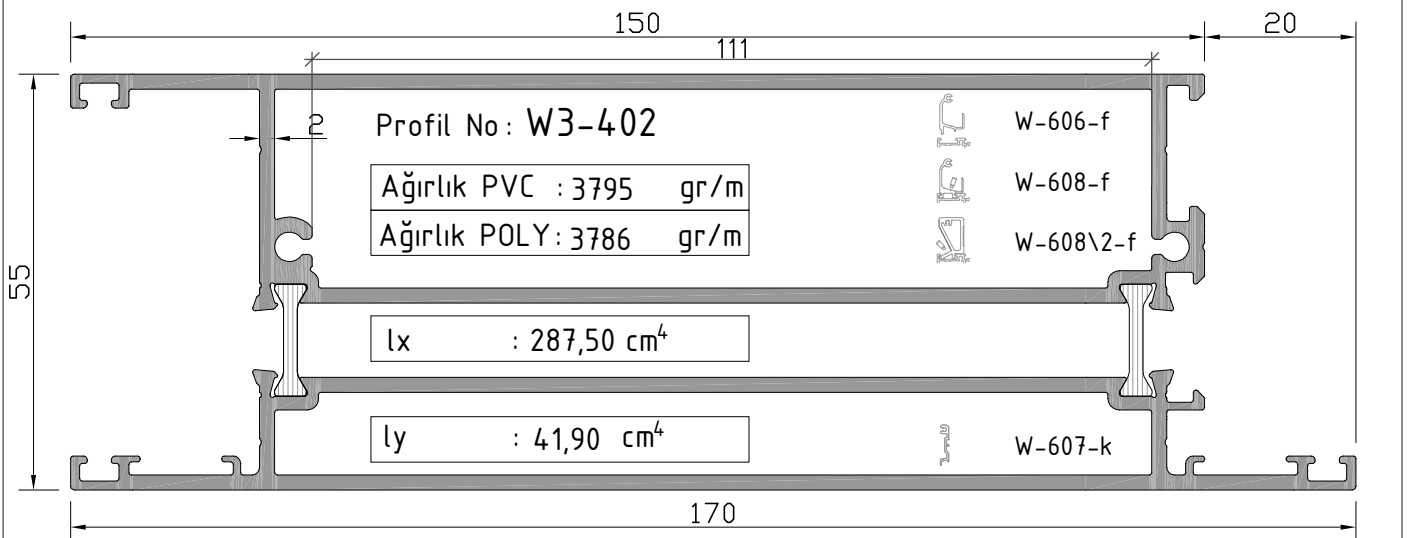
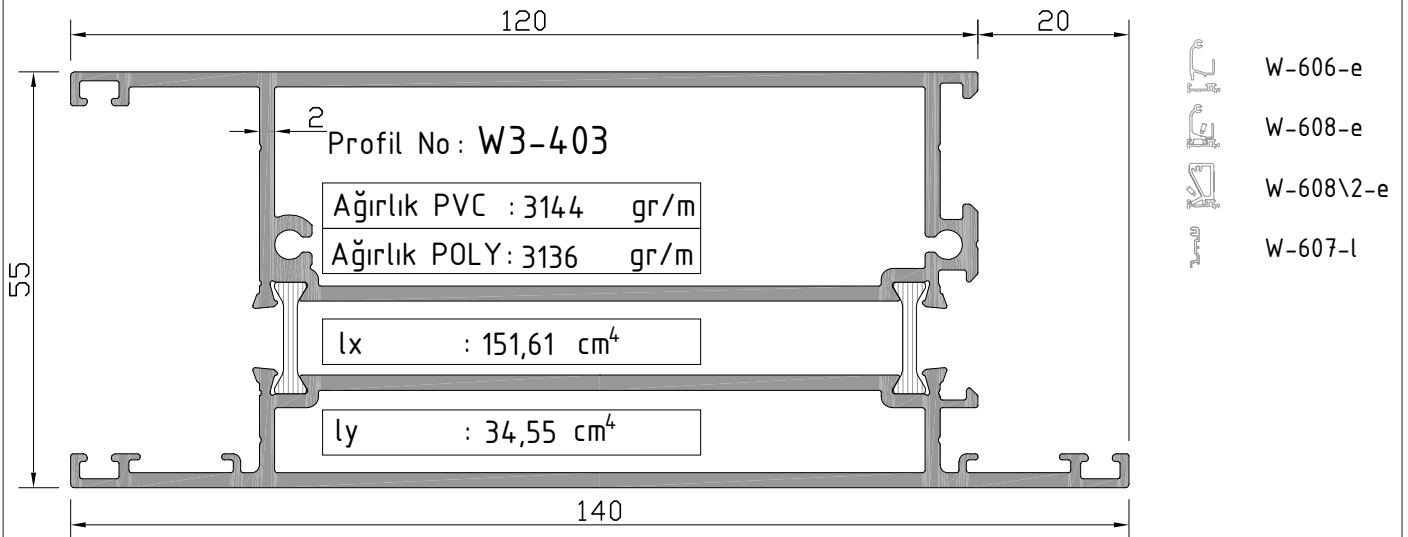
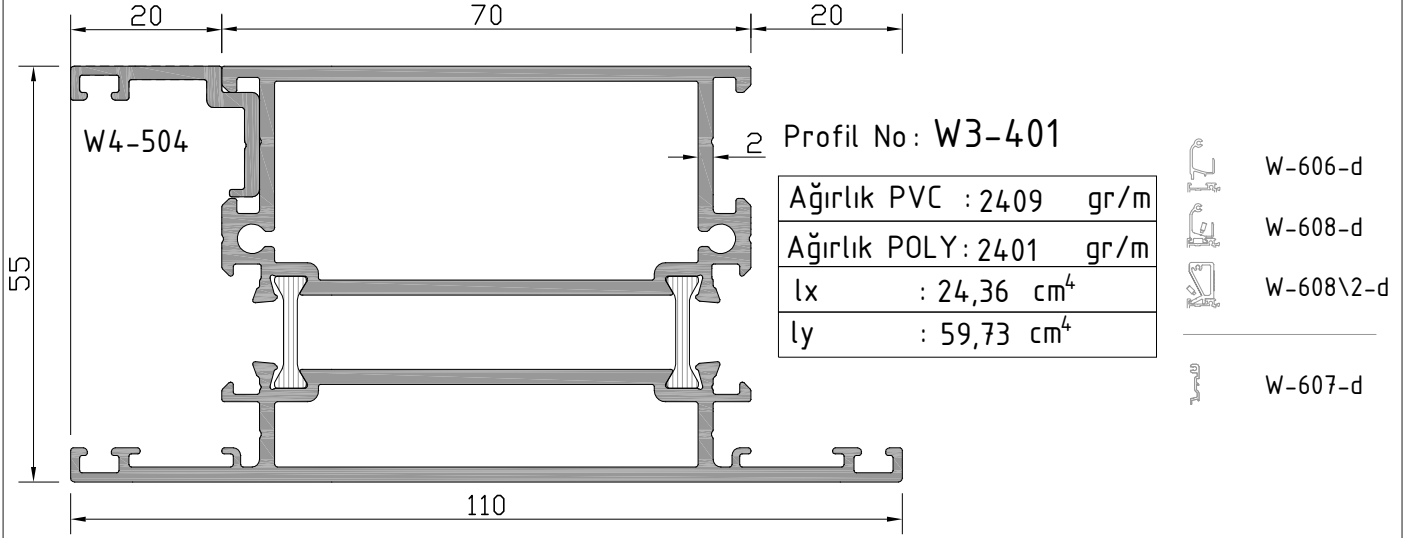
Ağırlık PVC	: 2611	gr/m
Ağırlık POLY	: 2600	gr/m
lx	: 35,95	cm <sup>4</sup>
ly	: 80,71	cm <sup>4</sup>

Profil No: W3-211



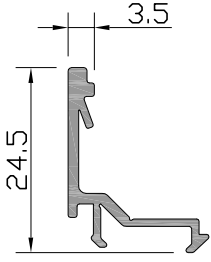
**W3**  
**W 55-2 T YALITIMLI SERİ PROFİLLERİ**  
W55-2 T INSULATED SERIES

ÜRÜN TEKNİK ÖZELLİKLERİ  
PRODUCT'S TECHNICAL FEATURES

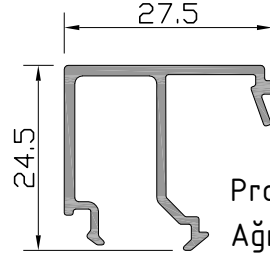


**W3**  
**W 55-2 T YALITIMLI SERİ PROFİLLERİ**  
W55-2 T INSULATED SERIES

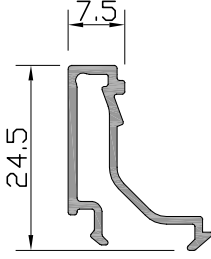
ÜRÜN TEKNİK ÖZELLİKLERİ  
PRODUCT'S TECHNICAL FEATURES



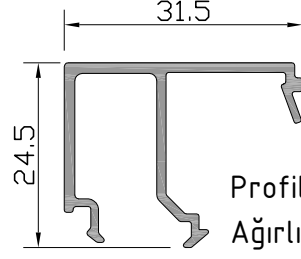
Profil No: W-511  
Ağırlık : 187 gr/m



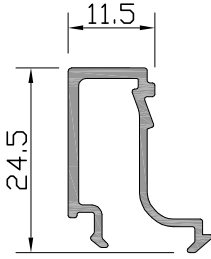
Profil No: W-517  
Ağırlık : 299 gr/m



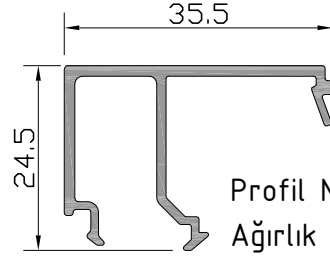
Profil No: W-512  
Ağırlık : 206 gr/m



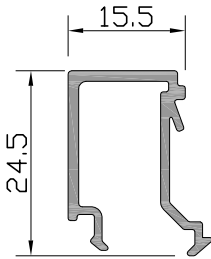
Profil No: W-518  
Ağırlık : 316 gr/m



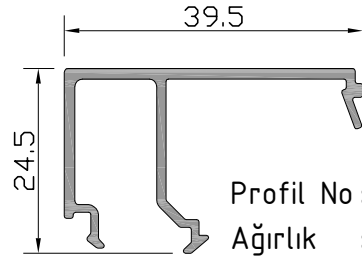
Profil No: W-513  
Ağırlık : 227 gr/m



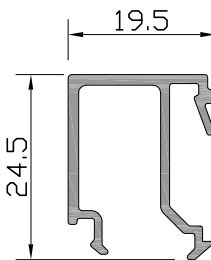
Profil No: W-519  
Ağırlık : 336 gr/m



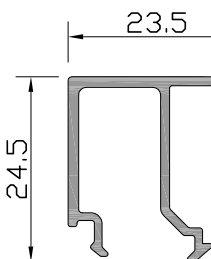
Profil No: W-514  
Ağırlık : 252 gr/m



Profil No: W-520  
Ağırlık : 351 gr/m



Profil No: W-515  
Ağırlık : 273 gr/m

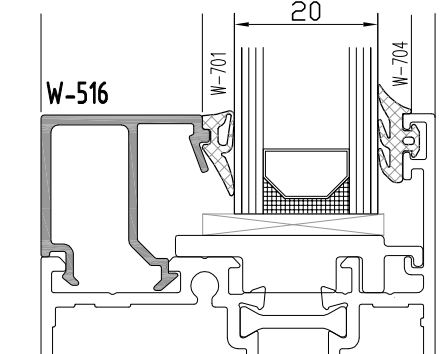
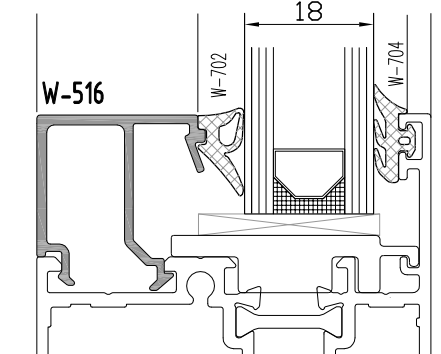
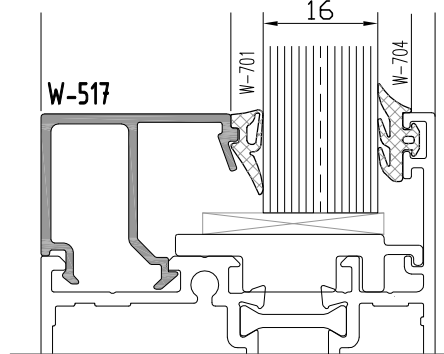
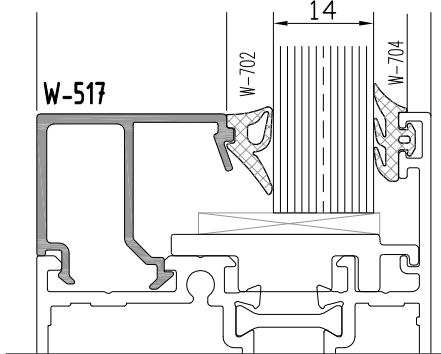
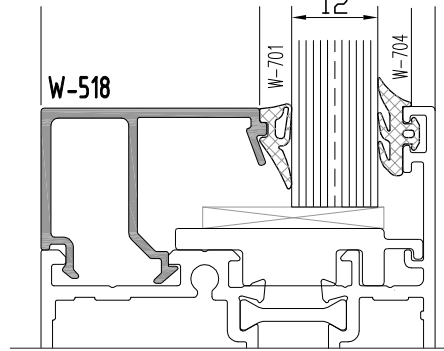
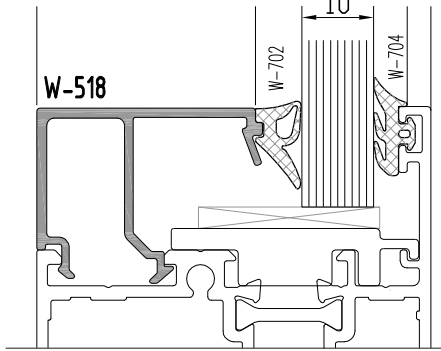
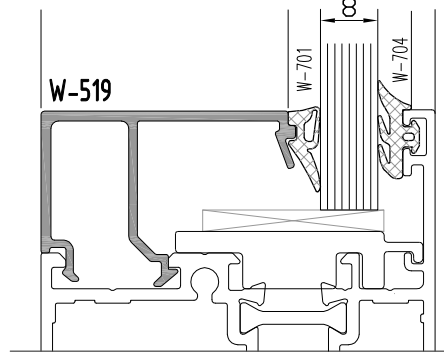
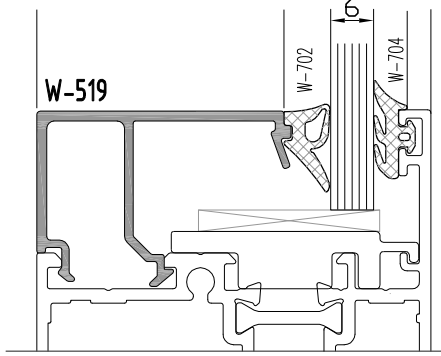
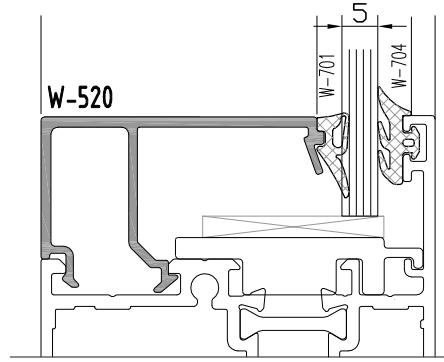
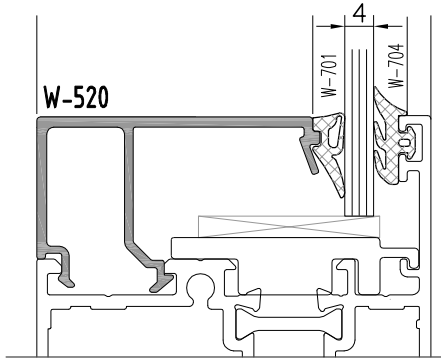


Profil No: W-516  
Ağırlık : 286 gr/m



**W3**  
**W 55-2 T YALITIMLI SERİ PROFİLLERİ**  
W55-2 T INSULATED SERIES

**CAM - FİTİL - CAM ÇİTASI**  
GLAZING-GASKET-GLAZING BELT

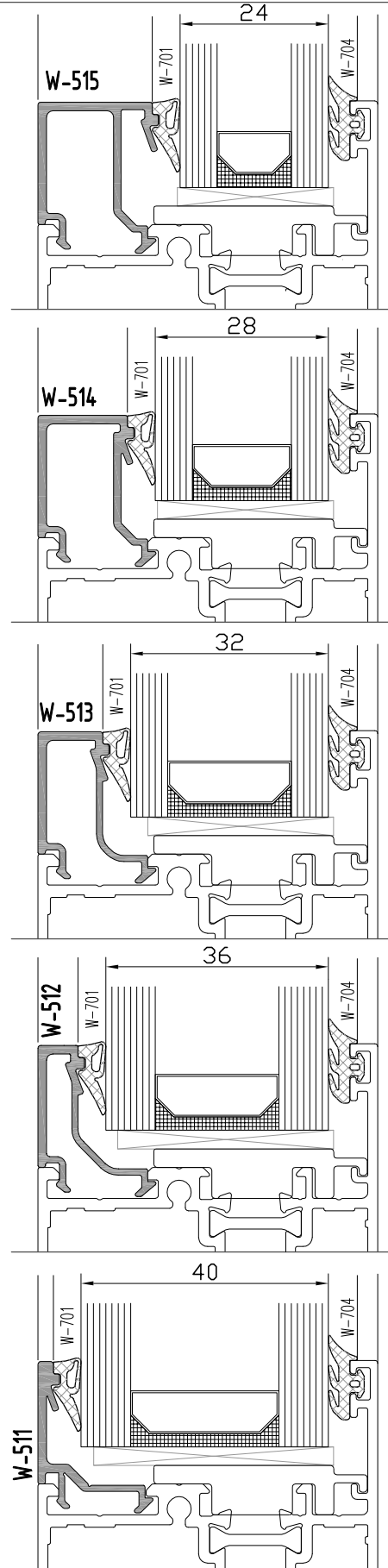
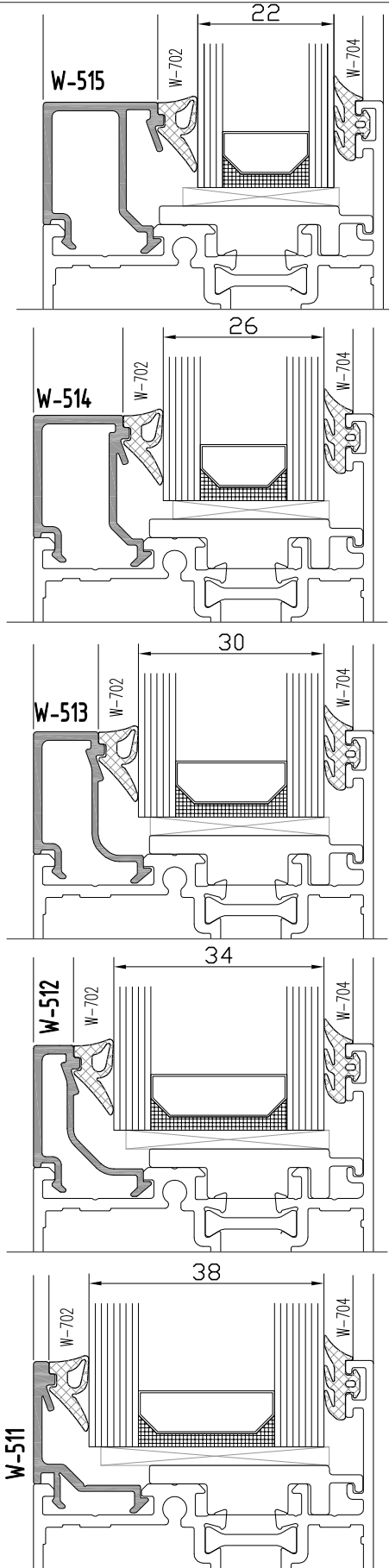


Profil değerleri teoriktir. Ağırlık olarak testimde yapılan tartım geçerlidir.  
Profil imalatları TS EN 12020-2 ve TS EN 755-9 toleransı,  
Moment değerleri EN 14024'e göre hesaplanmıştır.

Profile values are theoretical pre-shipment weight will be valid.  
The tolerances of Profile manufacturing are calculated according to EN 12020-2  
and TS EN 755-9; moment values are calculated according to EN 14024.

**W3**  
**W 55-2 T YALITIMLI SERİ PROFİLLERİ**  
W55-2 T INSULATED SERIES

**CAM - FİTİL - CAM ÇİTASI**  
GLAZING-GASKET-GLAZING BELT

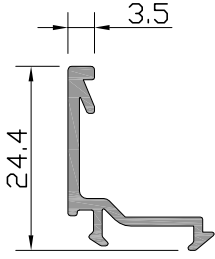


Profil değerleri teoriktir. Ağırlık olarak testimde yapılan tartım geçerlidir.  
Profil imalatları TS EN 12020-2 ve TS EN 755-9 toleransı,  
Moment değerleri EN 14024'e göre hesaplanmıştır.

Profile values are theoretical pre-shipment weight will be valid.  
The tolerances of Profile manufacturing are calculated according to EN 12020-2  
and TS EN 755-9; moment values are calculated according to EN 14024.

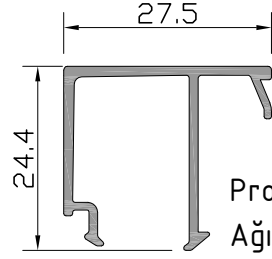
**W3**  
**W 55-2 T YALITIMLI SERİ PROFİLLERİ**  
W55-2 T INSULATED SERIES

ÜRÜN TEKNİK ÖZELLİKLERİ  
PRODUCT'S TECHNICAL FEATURES

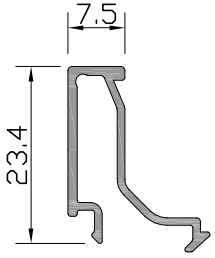


Profil No: W-511-a ⚠  
Ağırlık : 193 gr/m

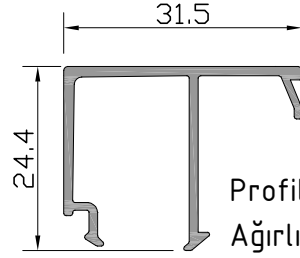
⚠ İşaretili profil için satış temsilcinizden bilgi alınız.



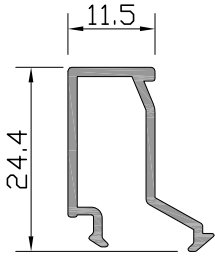
Profil No: W-517-a  
Ağırlık : 284 gr/m



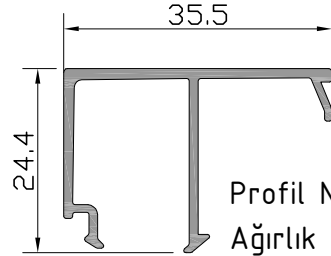
Profil No: W-512-a  
Ağırlık : 194 gr/m



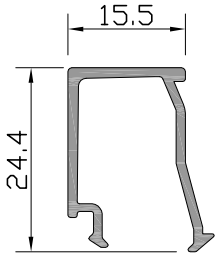
Profil No: W-518-a  
Ağırlık : 297 gr/m



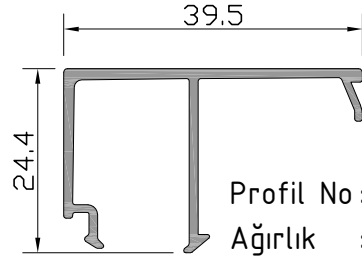
Profil No: W-513-a  
Ağırlık : 216 gr/m



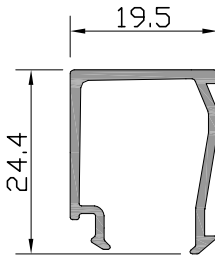
Profil No: W-519-a  
Ağırlık : 316 gr/m



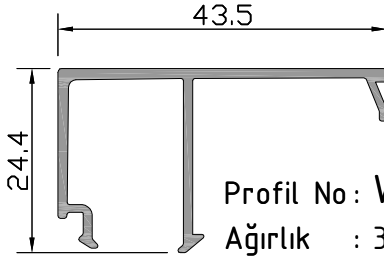
Profil No: W-514-a  
Ağırlık : 228 gr/m



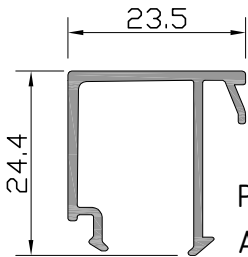
Profil No: W-520-a  
Ağırlık : 330 gr/m



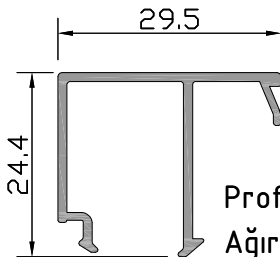
Profil No: W-515-a  
Ağırlık : 242 gr/m



Profil No: W-521-a  
Ağırlık : 344 gr/m



Profil No: W-516-a  
Ağırlık : 270 gr/m

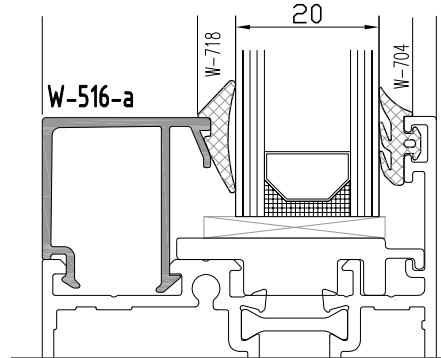
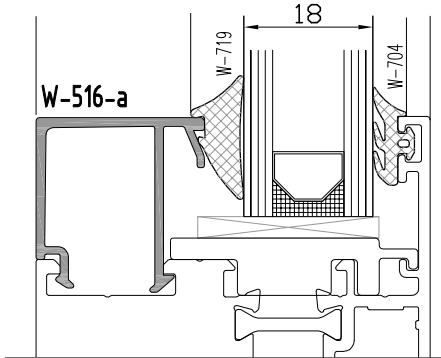
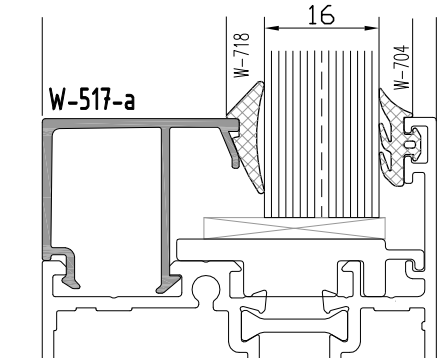
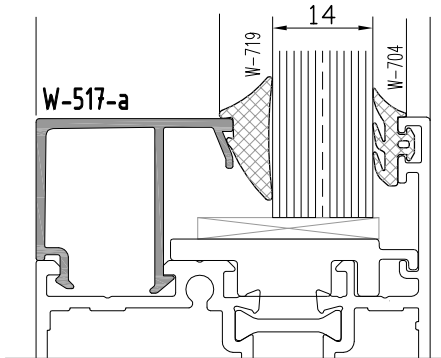
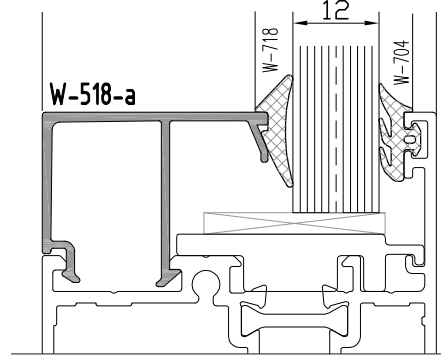
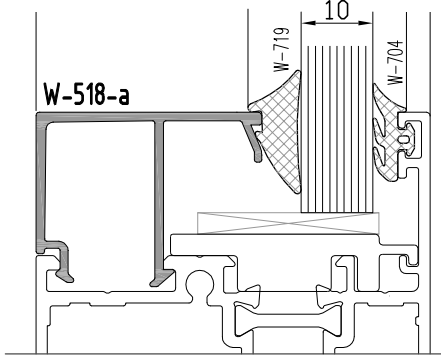
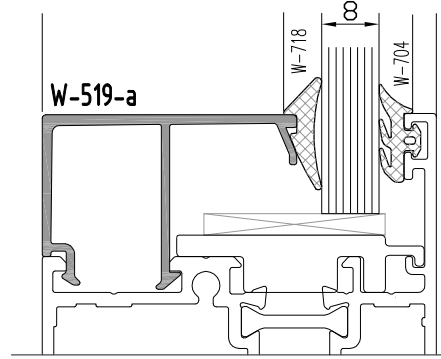
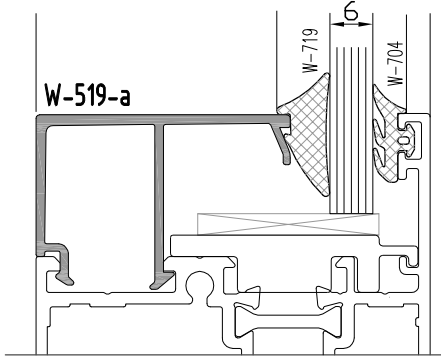
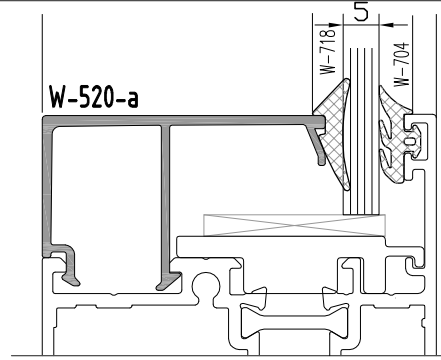
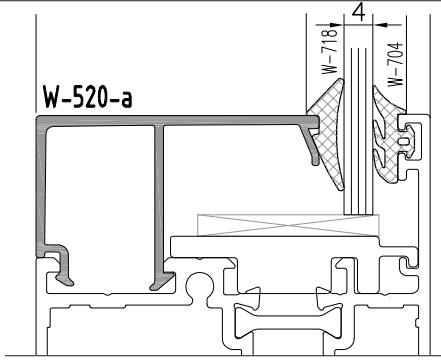


Profil No: W-522-a  
Ağırlık : 278 gr/m

# W3

## W 55-2 T YALITIMLI SERİ PROFİLLERİ W55-2 T INSULATED SERIES

CAM - FİTİL - CAM ÇİTASI  
GLAZING-GASKET-GLAZING BELT

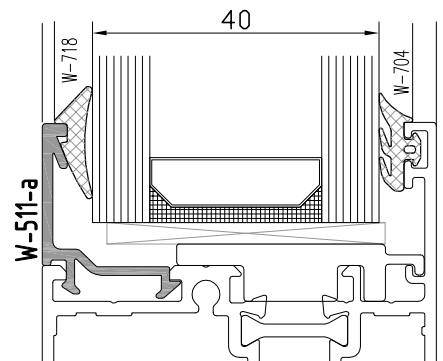
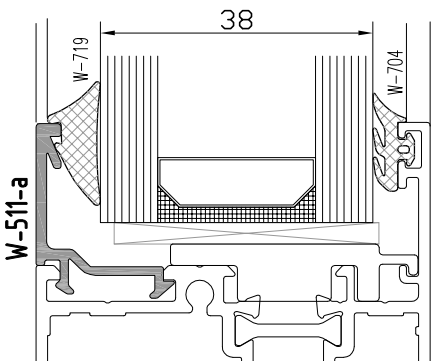
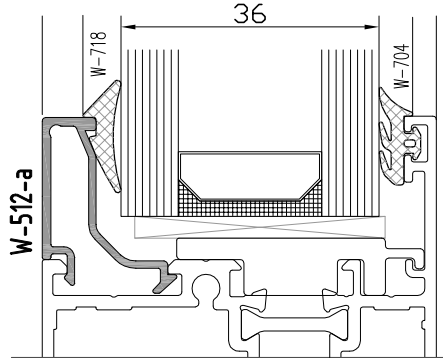
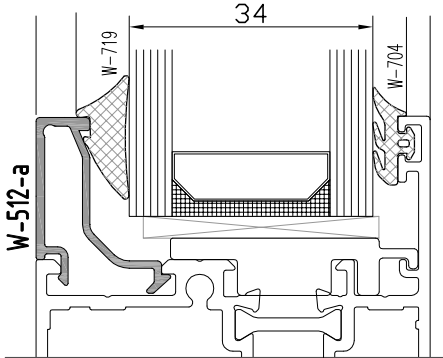
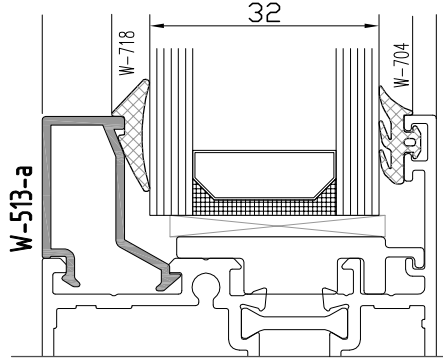
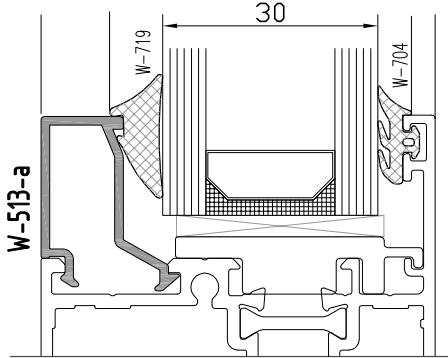
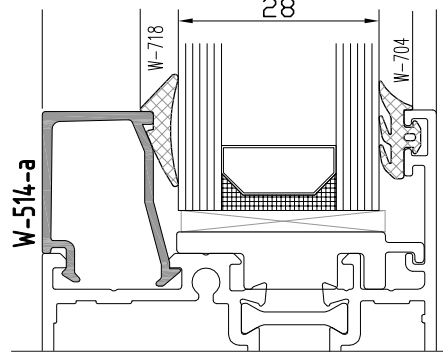
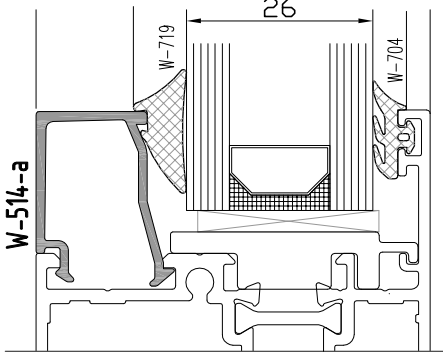
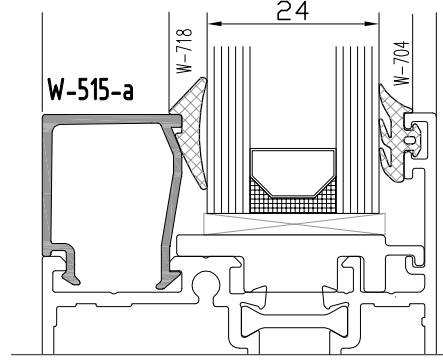
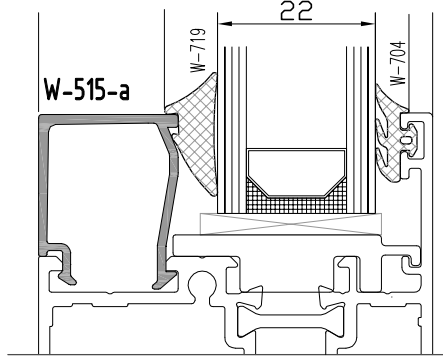


Profil değerleri teoriktir. Ağırlık olarak testimde yapılan tartım geçerlidir.  
Profil imalatları TS EN 12020-2 ve TS EN 755-9 toleransı,  
Moment değerleri EN 14024'e göre hesaplanmıştır.

Profile values are theoretical pre-shipment weight will be valid.  
The tolerances of Profile manufacturing are calculated according to EN 12020-2  
and TS EN 755-9; moment values are calculated according to EN 14024.

**W3**  
**W 55-2 T YALITIMLI SERİ PROFİLLERİ**  
W55-2 T INSULATED SERIES

**CAM - FİTİL - CAM ÇİTASI**  
GLAZING-GASKET-GLAZING BELT

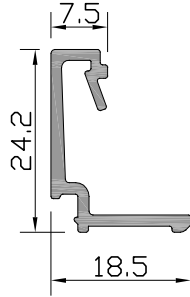


Profil değerleri teoriktir. Ağırlık olarak testimde yapılan tartım geçerlidir.  
Profil imalatları TS EN 12020-2 ve TS EN 755-9 toleransı,  
Moment değerleri EN 14024'e göre hesaplanmıştır.

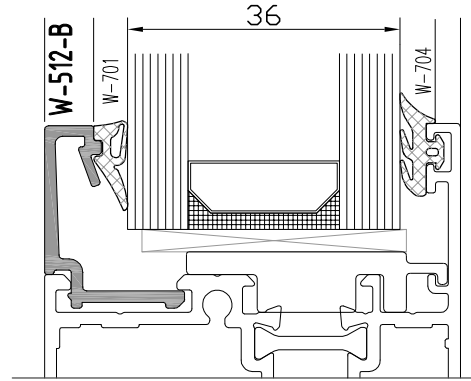
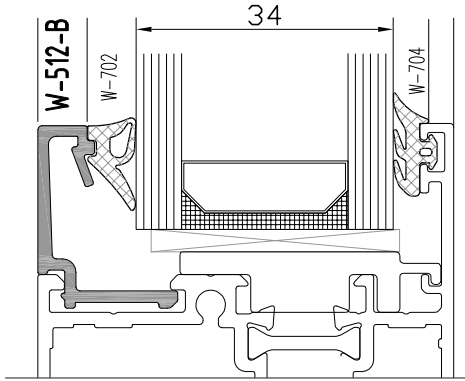
Profile values are theoretical pre-shipment weight will be valid.  
The tolerances of Profile manufacturing are calculated according to EN 12020-2  
and TS EN 755-9; moment values are calculated according to EN 14024.

**W3**  
**W 55-2 T YALITIMLI SERİ PROFİLLERİ**  
W55-2 T INSULATED SERIES

**ÜRÜN TEKNİK ÖZELLİKLERİ**  
PRODUCT'S TECHNICAL FEATURES

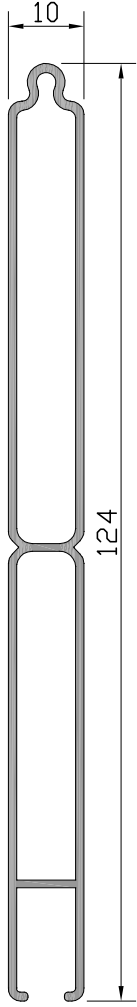


Profil No : W-512-B  
Ağırlık : 227 gr/m

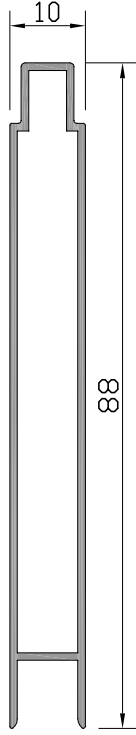


**W3**  
**W 55-2 T YALITIMLI SERİ PROFİLLERİ**  
W55-2 T INSULATED SERIES

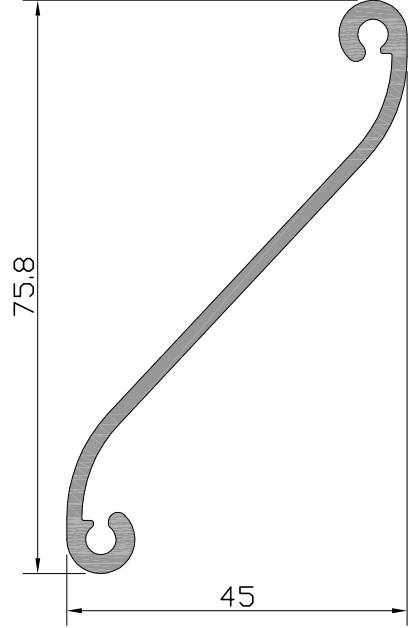
ÜRÜN TEKNİK ÖZELLİKLERİ  
PRODUCT'S TECHNICAL FEATURES



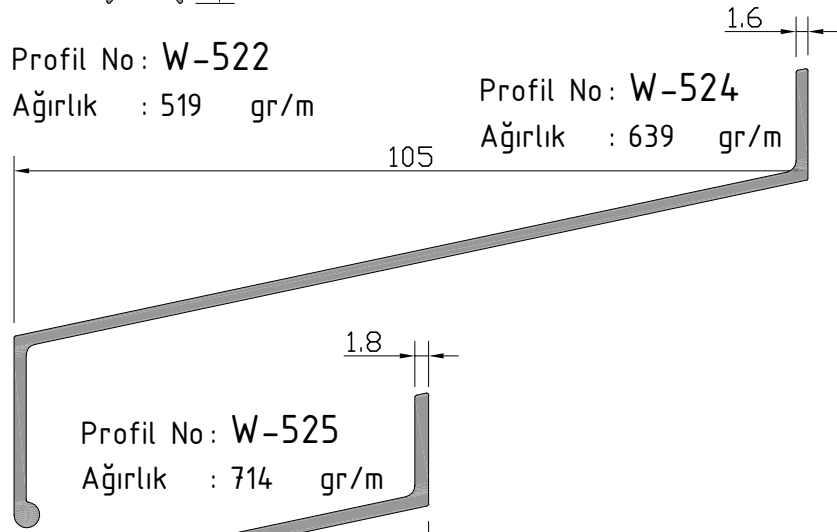
Profil No: W-521  
Ağırlık : 805 gr/m



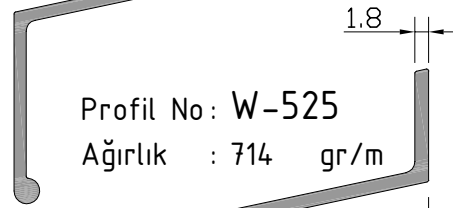
Profil No: W-522  
Ağırlık : 519 gr/m



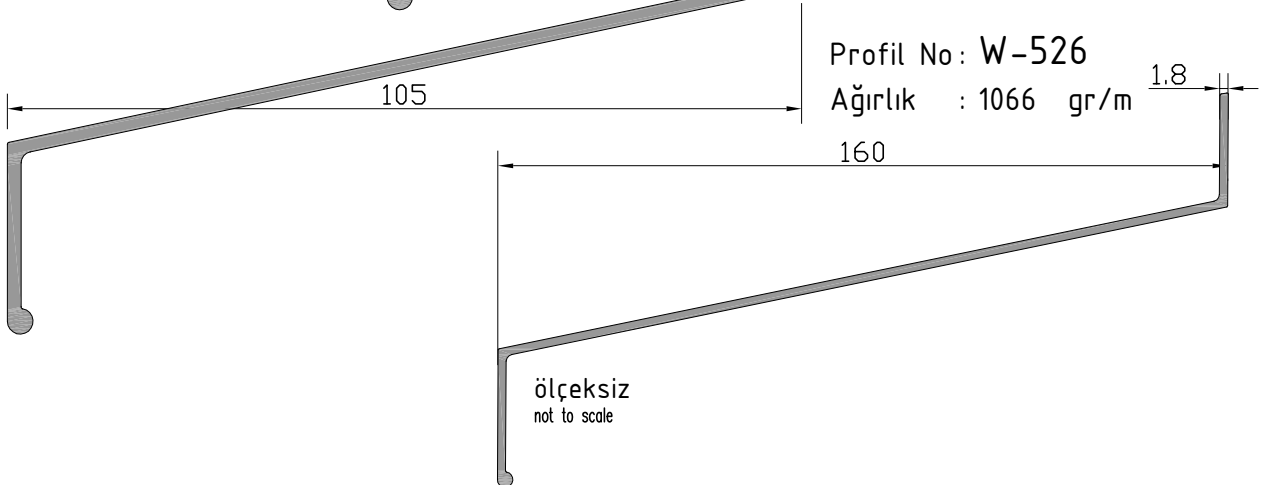
Profil No: W-523  
Ağırlık : 647 gr/m



Profil No: W-524  
Ağırlık : 639 gr/m



Profil No: W-525  
Ağırlık : 714 gr/m

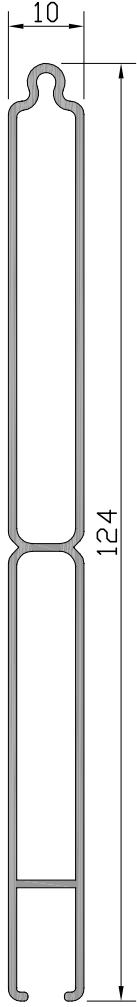


Profil No: W-526  
Ağırlık : 1066 gr/m

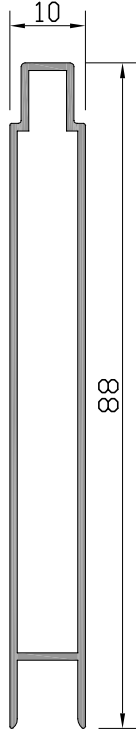
ölçeksiz  
not to scale

**W3**  
**W 55-2 T YALITIMLI SERİ PROFİLLERİ**  
W55-2 T INSULATED SERIES

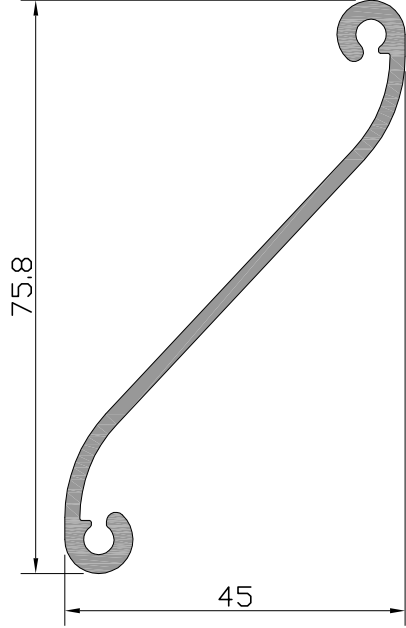
ÜRÜN TEKNİK ÖZELLİKLERİ  
PRODUCT'S TECHNICAL FEATURES



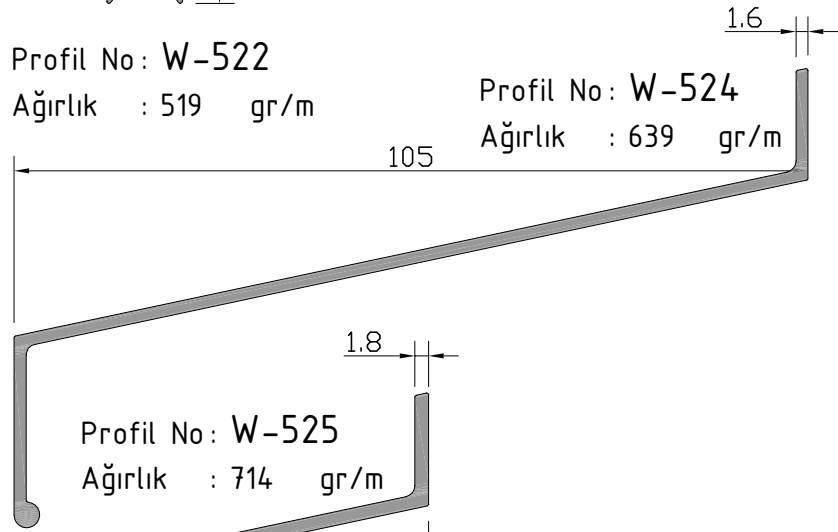
Profil No: W-521  
Ağırlık : 805 gr/m



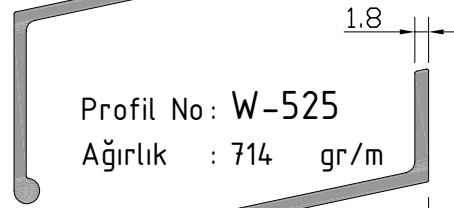
Profil No: W-522  
Ağırlık : 519 gr/m



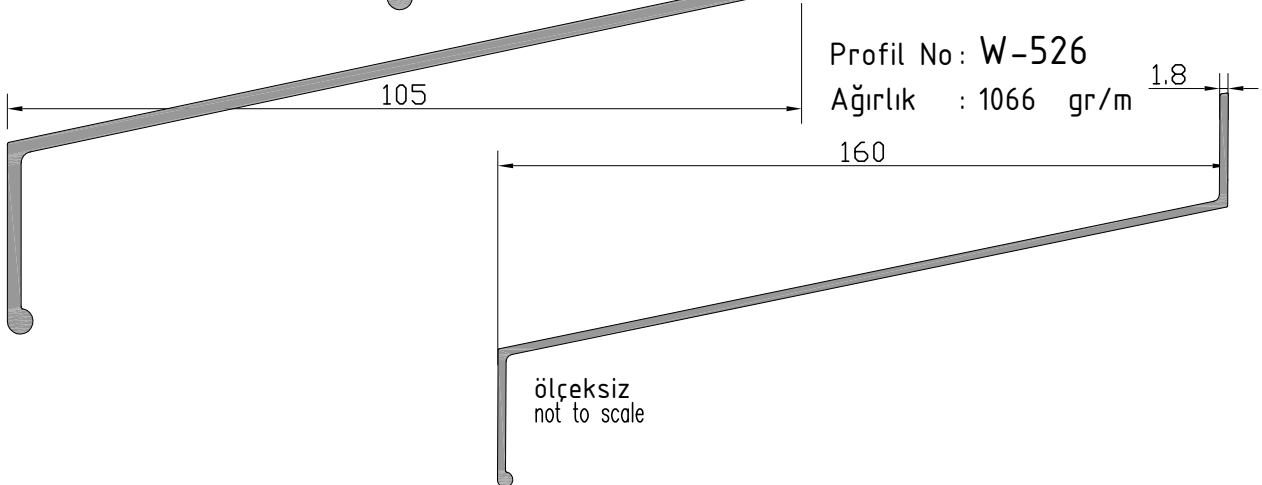
Profil No: W-523  
Ağırlık : 647 gr/m



Profil No: W-524  
Ağırlık : 639 gr/m



Profil No: W-525  
Ağırlık : 714 gr/m



Profil No: W-526  
Ağırlık : 1066 gr/m



**W3**  
**W 55-2 T YALITIMLI SERİ PROFİLLERİ**  
W55-2 T INSULATED SERIES

ÜRÜN TEKNİK ÖZELLİKLERİ  
PRODUCT'S TECHNICAL FEATURES

Profil No: W-527

Ağırlık : 1181 gr/m

2.2

160

ölçeksiz  
not to scale

2.2

190

Profil No: W-532

Ağırlık : 1573 gr/m

Profil No: W-528

Ağırlık : 1367 gr/m

1.9

ölçeksiz  
not to scale

206.6

ölçeksiz  
not to scale

2.2

Profil No: W-531

Ağırlık : 1322 gr/m

170

Profil No: W-529

Ağırlık : 1577 gr/m

2.2

ölçeksiz  
not to scale

206.6

ölçeksiz  
not to scale

2.2

Profil No: W-530

Ağırlık : 1209 gr/m

150

Profil No: W-533

Ağırlık : 1696 gr/m

2.2

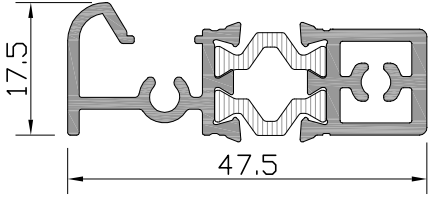
ölçeksiz  
not to scale

210

ölçeksiz  
not to scale

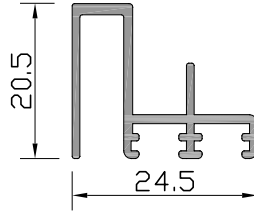
**W3**  
**W 55-2 T YALITIMLI SERİ PROFİLLERİ**  
W55-2 T INSULATED SERIES

ÜRÜN TEKNİK ÖZELLİKLERİ  
PRODUCT'S TECHNICAL FEATURES

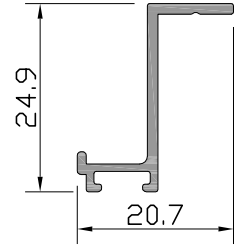


Profil No: W-555

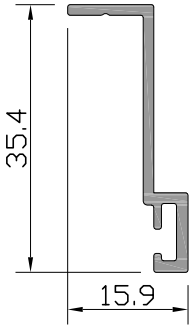
Ağırlık PVC : 767	gr/m
Ağırlık POLY: 758	gr/m



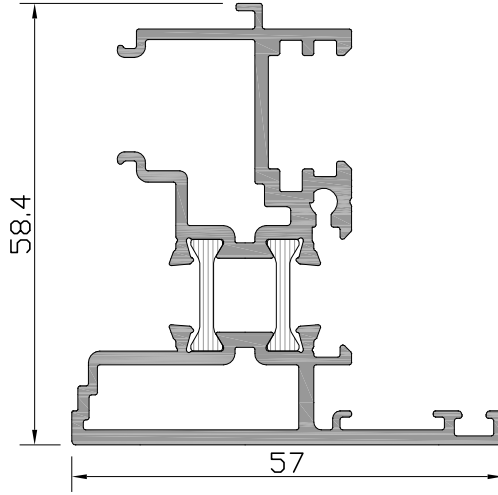
Profil No: W-557  
Ağırlık : 260 gr/m



Profil No: W-558 ⚠  
Ağırlık : 173 gr/m  
⚠ İşaretti profil için satış temsilcinizden bilgi alınır.

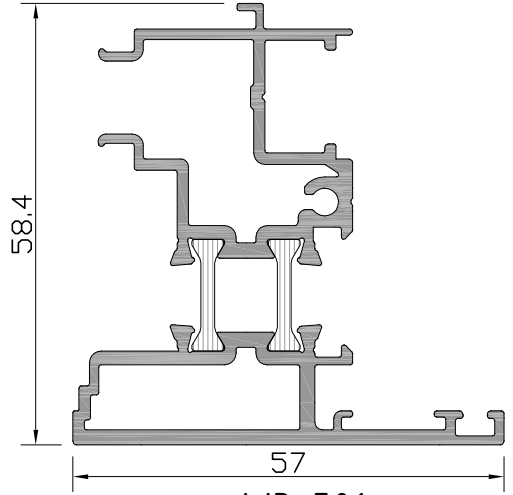


Profil No: W-559  
Ağırlık : 216 gr/m



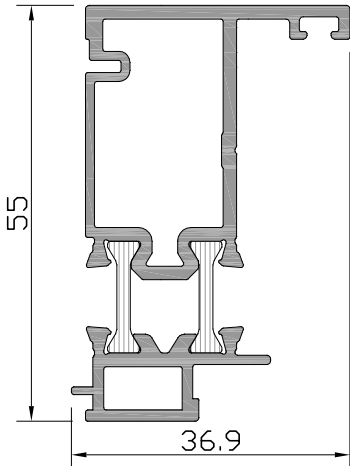
Profil No: W3-501

Ağırlık PVC : 1375	gr/m
Ağırlık POLY: 1366	gr/m



Profil No: W3-501-a

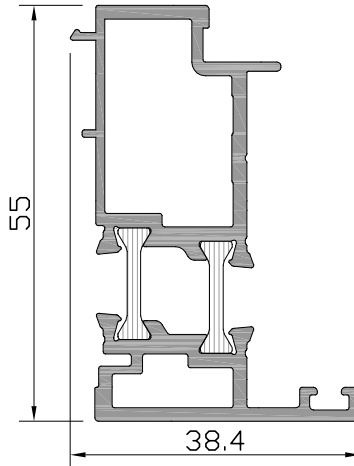
Ağırlık PVC : 1349	gr/m
Ağırlık POLY: 1340	gr/m



Profil No: W3-502 ⚠

Ağırlık PVC : 1031	gr/m
Ağırlık POLY: 1022	gr/m

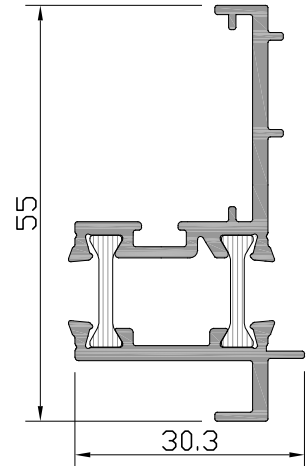
⚠ İşaretti profil için satış temsilcinizden bilgi alınır.



Profil No: W3-503 ⚠

Ağırlık PVC : 1060	gr/m
Ağırlık POLY: 1052	gr/m

⚠ İşaretti profil için satış temsilcinizden bilgi alınır.

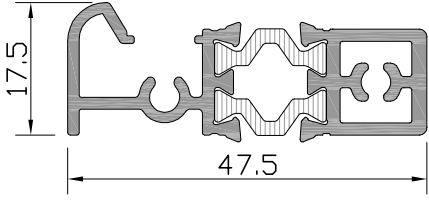


Profil No: W3-506

Ağırlık PVC : 769	gr/m
Ağırlık POLY: 761	gr/m

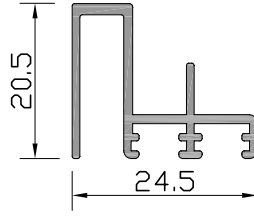
**W3**  
**W 55-2 T YALITIMLI SERİ PROFİLLERİ**  
W55-2 T INSULATED SERIES

ÜRÜN TEKNİK ÖZELLİKLERİ  
PRODUCT'S TECHNICAL FEATURES

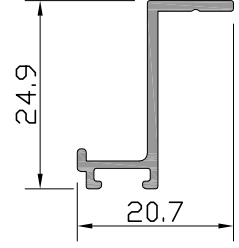


Profil No : W-555

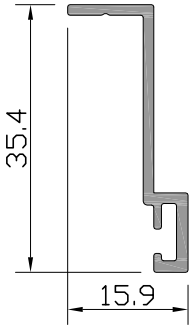
Ağırlık PVC : 767	gr/m
Ağırlık POLY : 758	gr/m



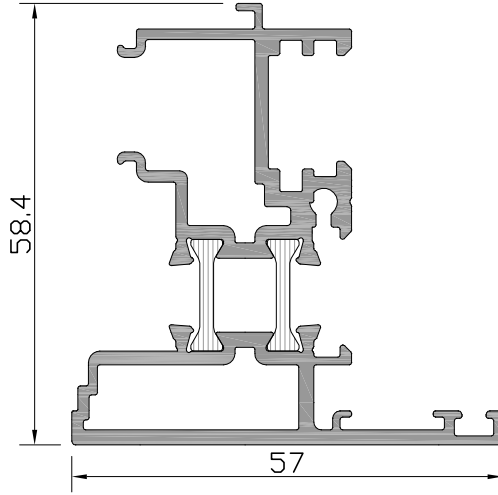
Profil No : W-557  
Ağırlık : 260 gr/m



Profil No : W-558  
Ağırlık : 173 gr/m

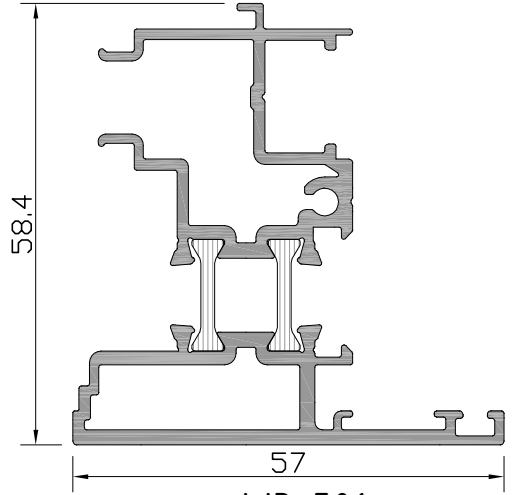


Profil No : W-559  
Ağırlık : 216 gr/m



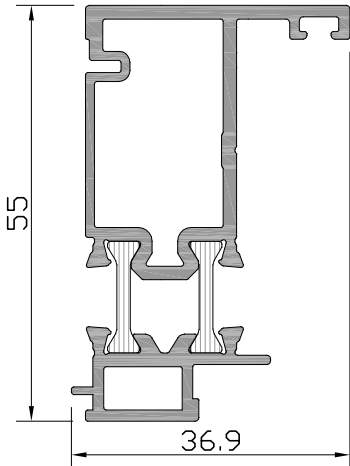
Profil No : W3-501

Ağırlık PVC : 1373	gr/m
Ağırlık POLY : 1365	gr/m



Profil No : W3-501-a

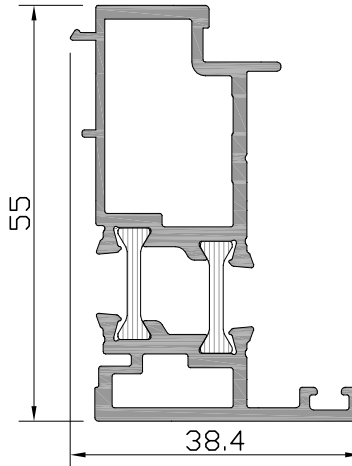
Ağırlık PVC : 1349	gr/m
Ağırlık POLY : 1340	gr/m



Profil No : W3-502 ⚠

Ağırlık PVC : 1031	gr/m
Ağırlık POLY : 1022	gr/m

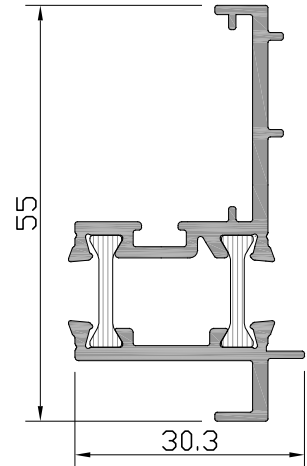
⚠ İşaretili profil için satış temsilcinizden bilgi alınır.



Profil No : W3-503 ⚠

Ağırlık PVC : 1060	gr/m
Ağırlık POLY : 1052	gr/m

⚠ İşaretili profil için satış temsilcinizden bilgi alınır.

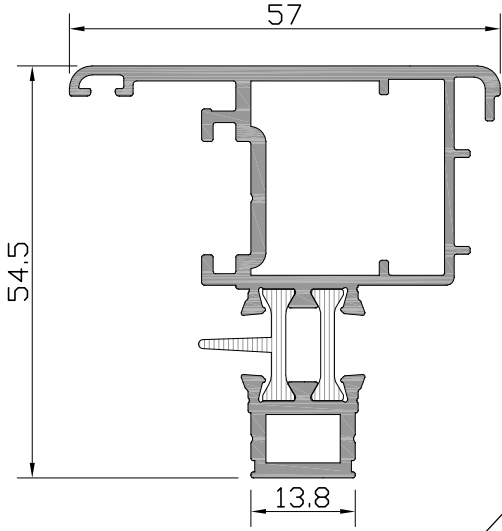


Profil No : W3-506

Ağırlık PVC : 769	gr/m
Ağırlık POLY : 761	gr/m

**W3**  
**W 55-2 T YALITIMLI SERİ PROFİLLERİ**  
W55-2 T INSULATED SERIES

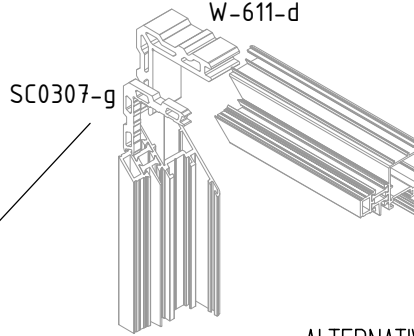
ÜRÜN TEKNİK ÖZELLİKLERİ  
PRODUCT'S TECHNICAL FEATURES


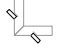
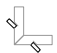


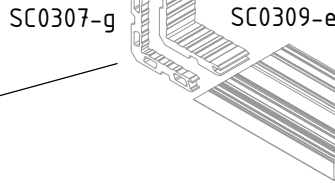
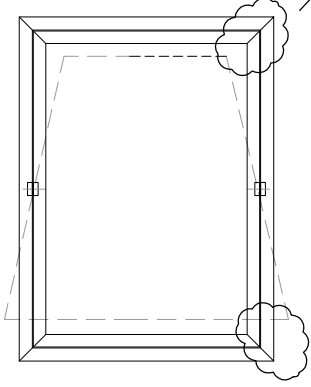
Profil No : W3-504

Ağırlık PVC : 1222 gr/m

Ağırlık POLY : 1212 gr/m



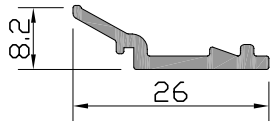
-  W-611-d
-  SC0309-e
-  SC0307-g



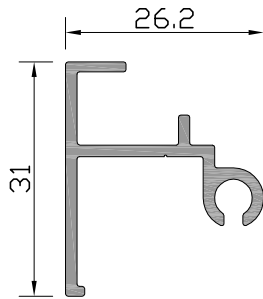
ALTERNATIVE 1



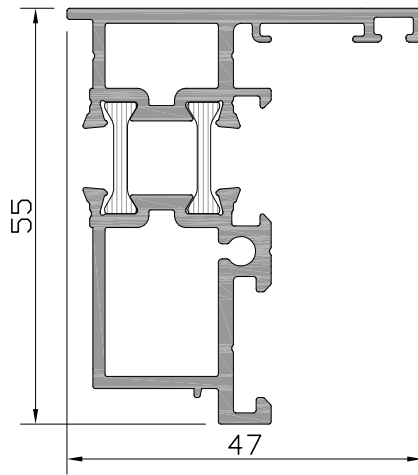
ALTERNATIVE 2



Profil No: W3-507  
Ağırlık : 155 gr/m



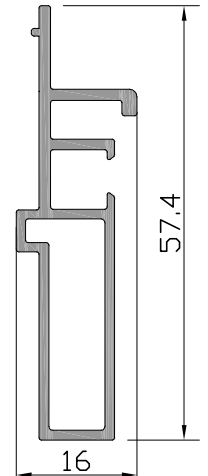
Profil No: W3-508  
Ağırlık : 330 gr/m



Profil No: W3-510

Ağırlık PVC : 1187 gr/m

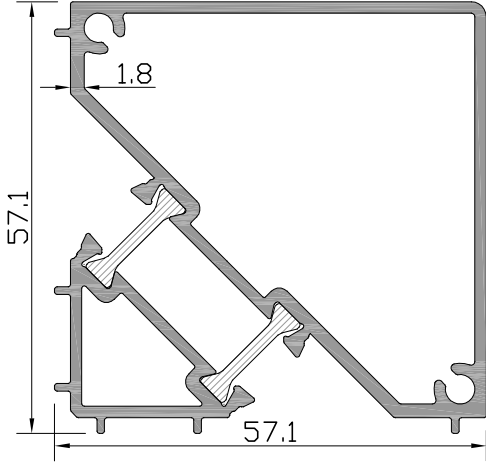
Ağırlık POLY : 1179 gr/m



Profil No: W3-511  
Ağırlık : 496 gr/m

**W3**  
**W 55-2 T YALITIMLI SERİ PROFİLLERİ**  
W55-2 T INSULATED SERIES

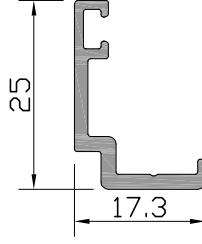
ÜRÜN TEKNİK ÖZELLİKLERİ  
PRODUCT'S TECHNICAL FEATURES



Profil No: **W1-550**

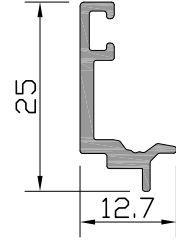
Ağırlık PVC : 1413 gr/m

Ağırlık POLY: 1404 gr/m



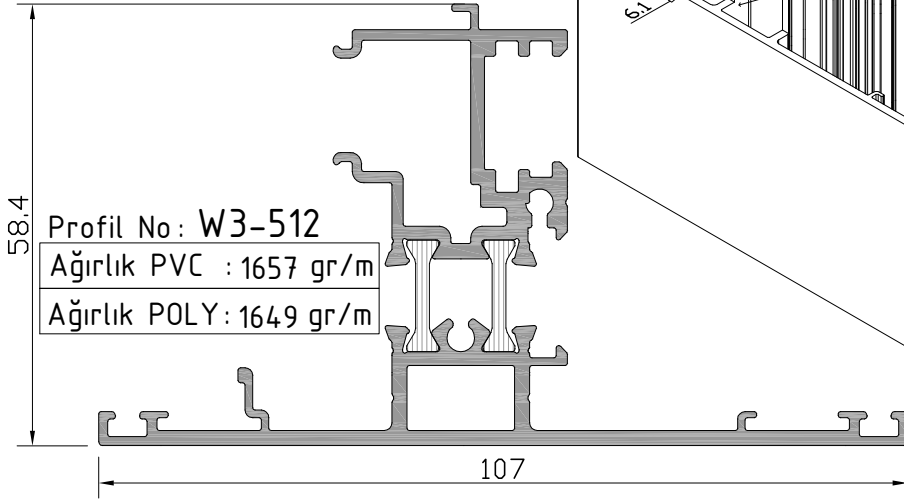
Profil No: **W4-504**

Ağırlık : 227 gr/m



Profil No: **W4-505**

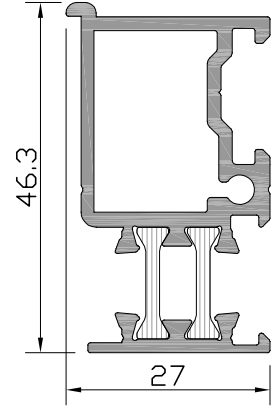
Ağırlık : 184 gr/m



Profil No: **W3-512**

Ağırlık PVC : 1657 gr/m

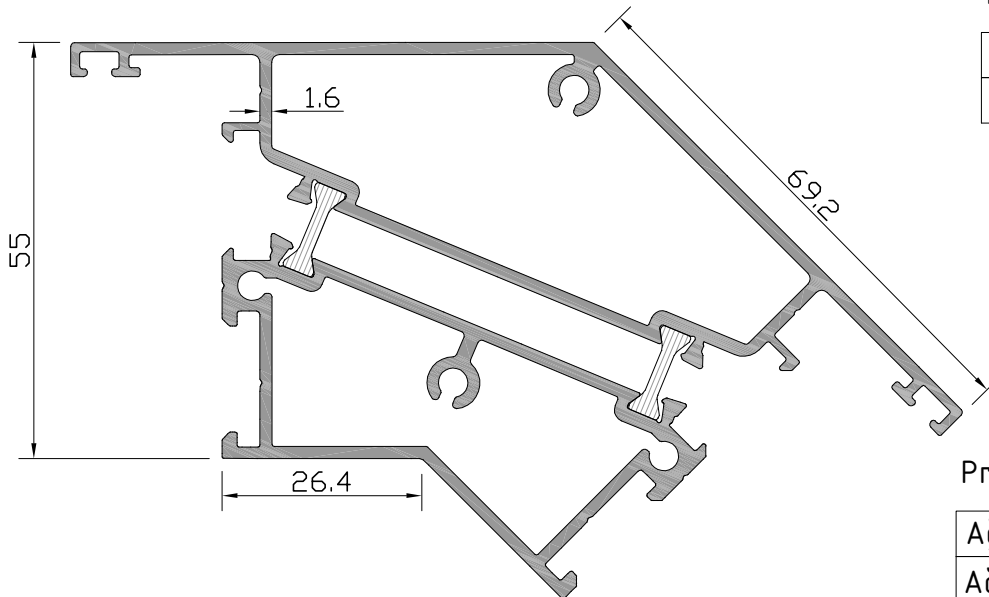
Ağırlık POLY: 1649 gr/m



Profil No: **W3-513**

Ağırlık PVC : 884 gr/m

Ağırlık POLY: 875 gr/m



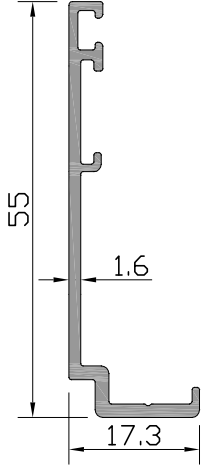
Profil No: **W1-551**

Ağırlık PVC : 2312 gr/m

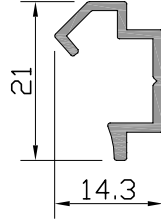
Ağırlık POLY: 2305 gr/m

**W3**  
**W 55-2 T YALITIMLI SERİ PROFİLLERİ**  
W55-2 T INSULATED SERIES

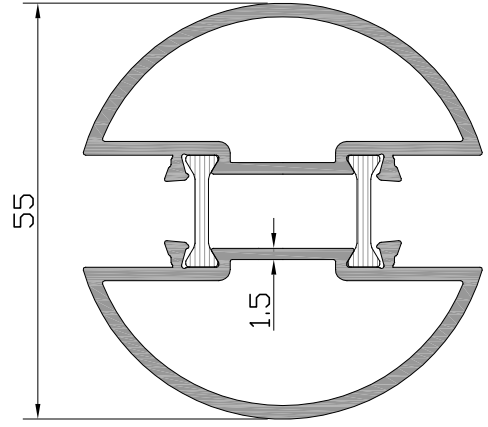
ÜRÜN TEKNİK ÖZELLİKLERİ  
PRODUCT'S TECHNICAL FEATURES



Profil No: **W4-508**  
Ağırlık : 356 gr/m

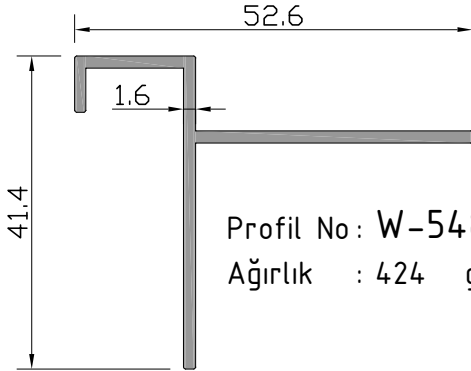


Profil No: **W-546**  
Ağırlık : 151 gr/m



Profil No: **W1-552**

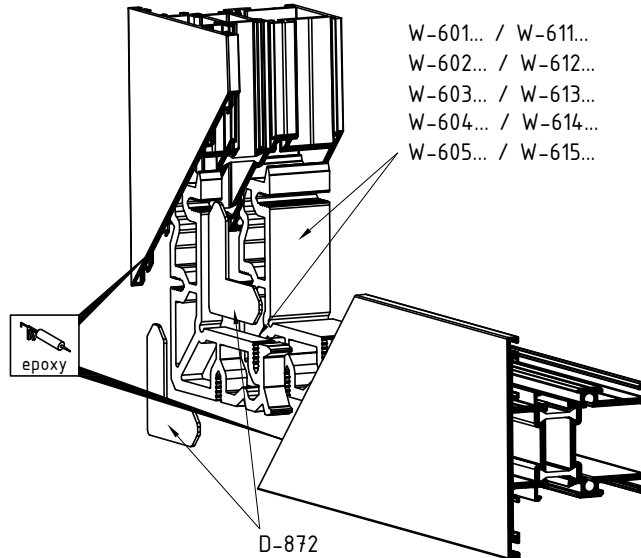
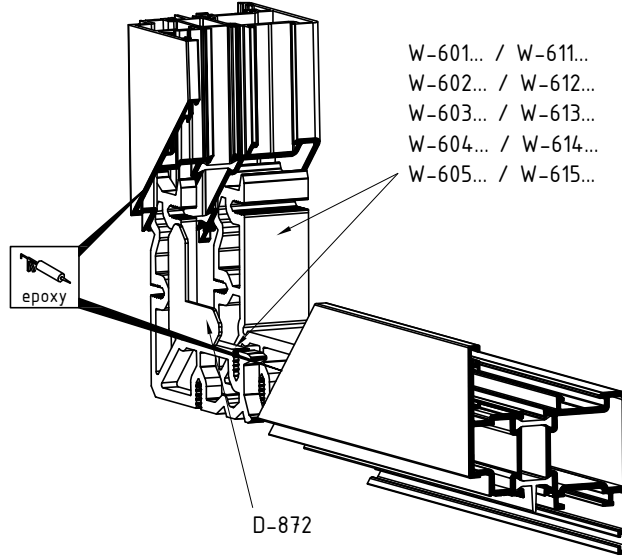
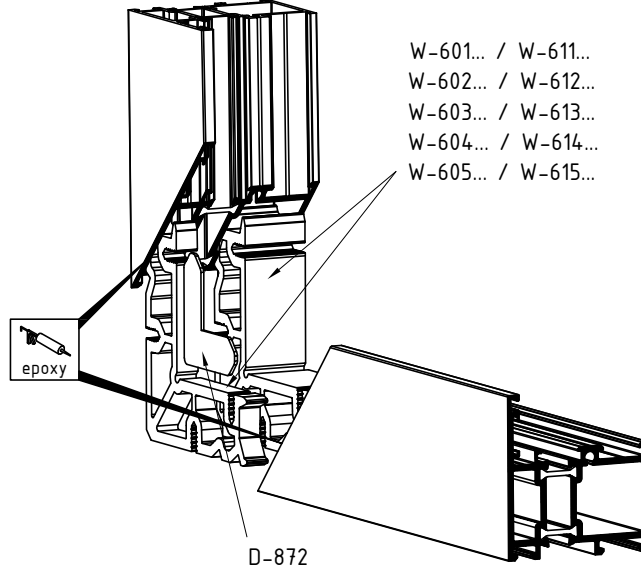
Ağırlık PVC : 1348	gr/m
Ağırlık POLY : 1339	gr/m



Profil No: **W-548**  
Ağırlık : 424 gr/m

**W3**  
**W 55-2 T YALITIMLI SERİ PROFİLLERİ**  
W55-2 T INSULATED SERIES

**ÜRÜN TEKNİK ÖZELLİKLERİ**  
PRODUCT'S TECHNICAL FEATURES



**W3**  
**W 55-2 T YALITIMLI SERİ PROFİLLERİ**  
W55-2 T INSULATED SERIES

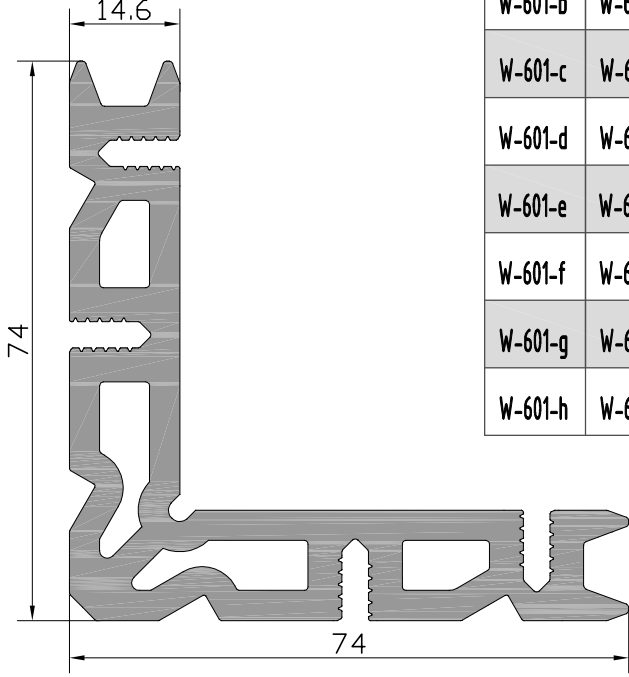
ÜRÜN TEKNİK ÖZELLİKLERİ  
PRODUCT'S TECHNICAL FEATURES

Profil No: W-601

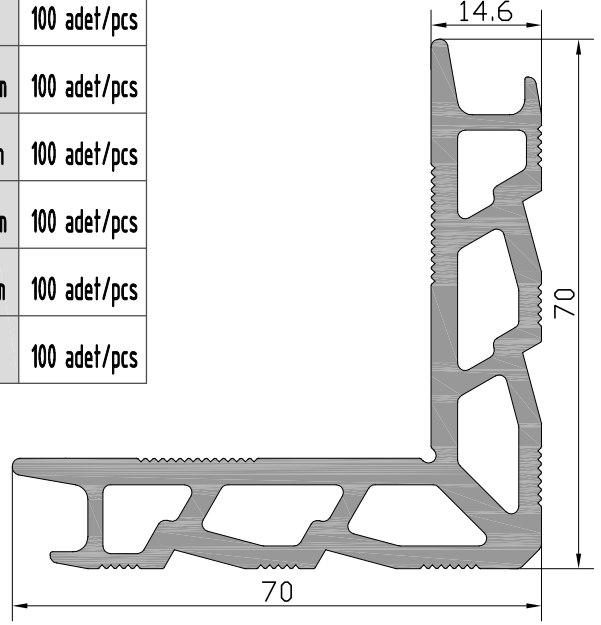
Ağırlık : 3428 gr/m


Profil No: W-611

Ağırlık : 2520 gr/m




W-601-a	W-611-a	8.2mm	100 adet/pcs
W-601-b	W-611-b	23.6mm	100 adet/pcs
W-601-c	W-611-c	6mm	100 adet/pcs
W-601-d	W-611-d	25.3mm	100 adet/pcs
W-601-e	W-611-e	50.1mm	100 adet/pcs
W-601-f	W-611-f	50.6mm	100 adet/pcs
W-601-g	W-611-g	41.7mm	100 adet/pcs
W-601-h	W-611-h	4.7mm	100 adet/pcs



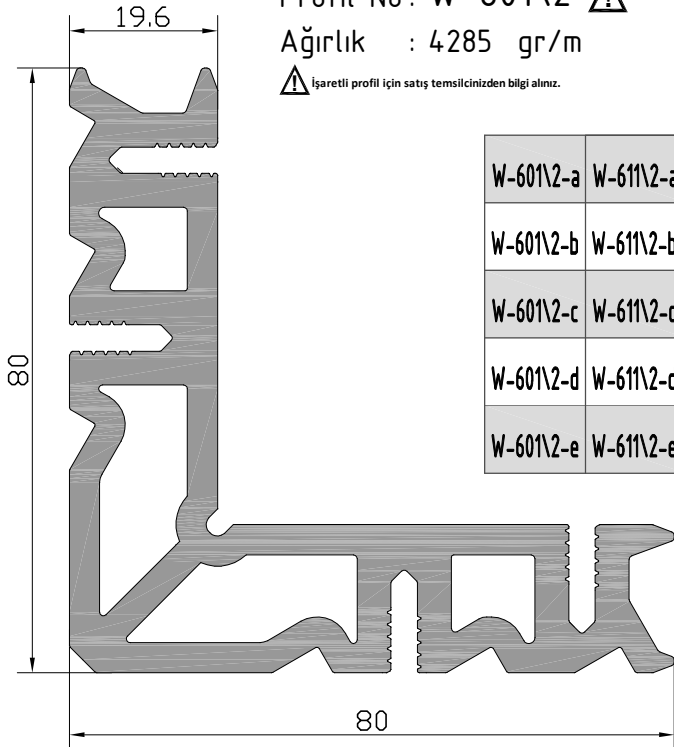
Profil No: W-601\2 

Ağırlık : 4285 gr/m

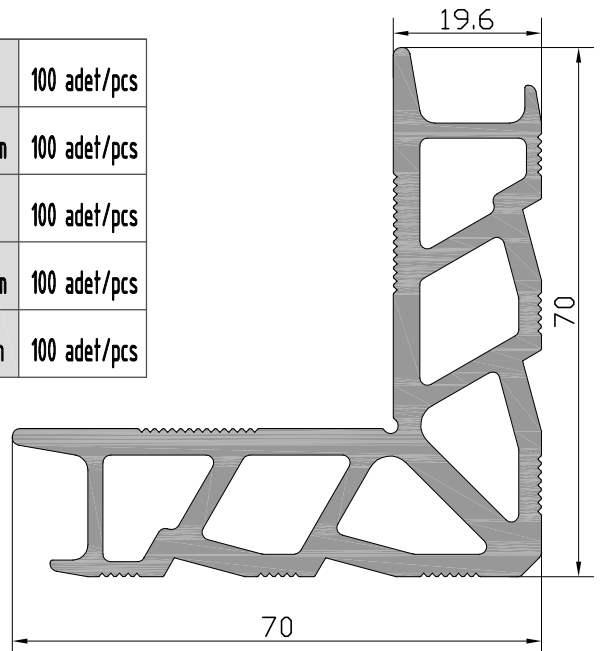
 İşaretti profil için satış temsilcilerinizden bilgi alınız.

Profil No: W-611\2

Ağırlık : 2749 gr/m



W-601\2-a	W-611\2-a	6mm	100 adet/pcs
W-601\2-b	W-611\2-b	25.3mm	100 adet/pcs
W-601\2-c	W-611\2-c	8.2mm	100 adet/pcs
W-601\2-d	W-611\2-d	23.6mm	100 adet/pcs
W-601\2-e	W-611\2-e	50.1mm	100 adet/pcs



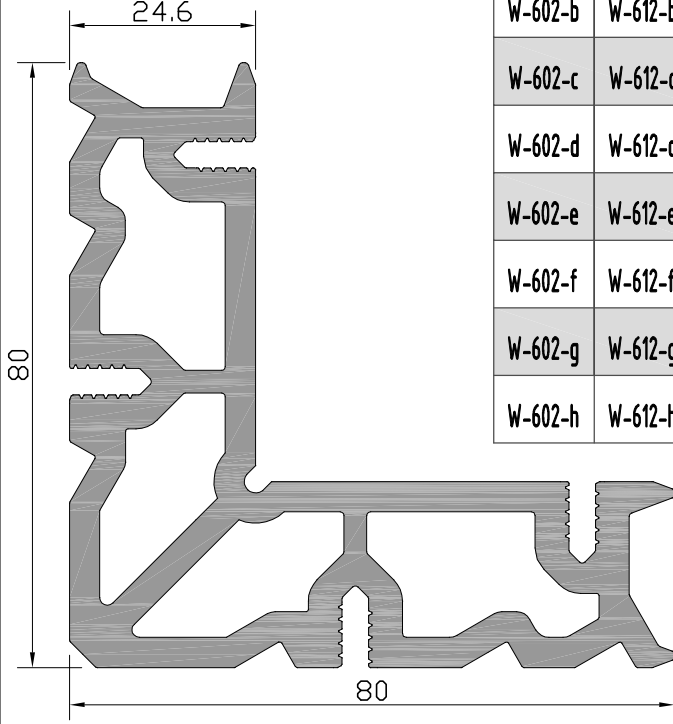


**W3**  
**W 55-2 T YALITIMLI SERİ PROFİLLERİ**  
W55-2 T INSULATED SERIES

ÜRÜN TEKNİK ÖZELLİKLERİ  
PRODUCT'S TECHNICAL FEATURES

Profil No: **W-602**

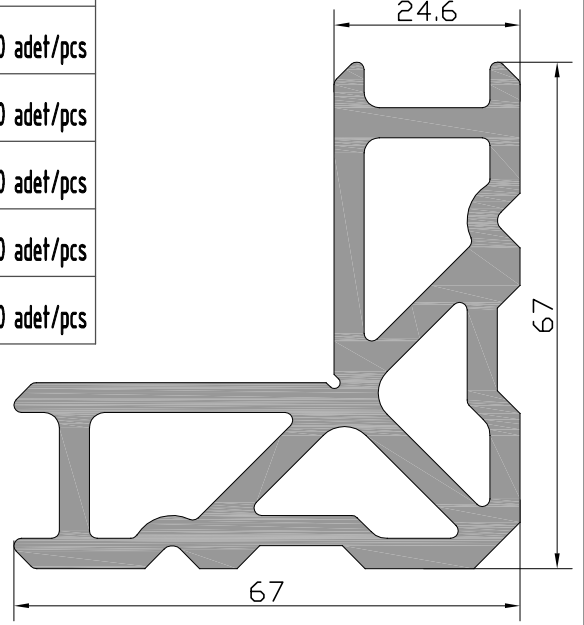
Ağırlık : 4380 gr/m



W-602-a	W-612-a	8.2mm	100 adet/pcs
W-602-b	W-612-b	23.6mm	100 adet/pcs
W-602-c	W-612-c	6mm	100 adet/pcs
W-602-d	W-612-d	25.3mm	100 adet/pcs
W-602-e	W-612-e	50.1mm	100 adet/pcs
W-602-f	W-612-f	50.6mm	100 adet/pcs
W-602-g	W-612-g	4.7mm	100 adet/pcs
W-602-h	W-612-h	41.8mm	100 adet/pcs

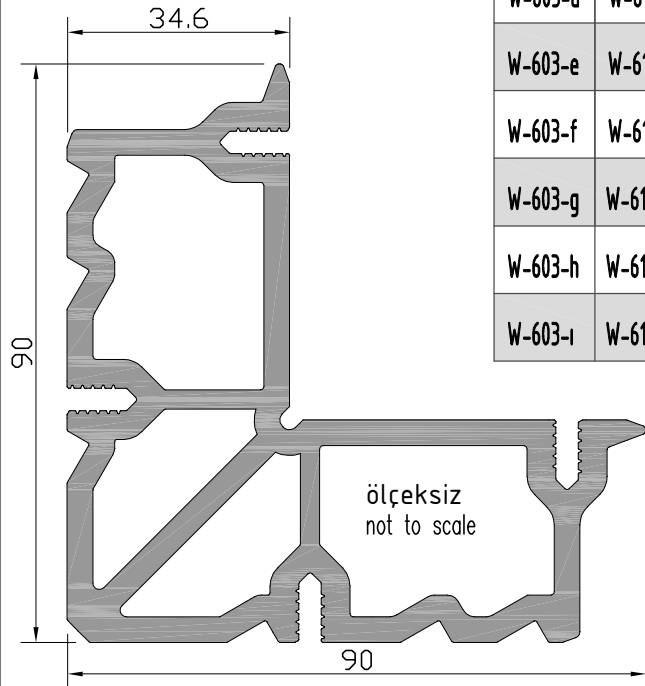
Profil No: **W-612**

Ağırlık : 3524 gr/m



Profil No: **W-603**

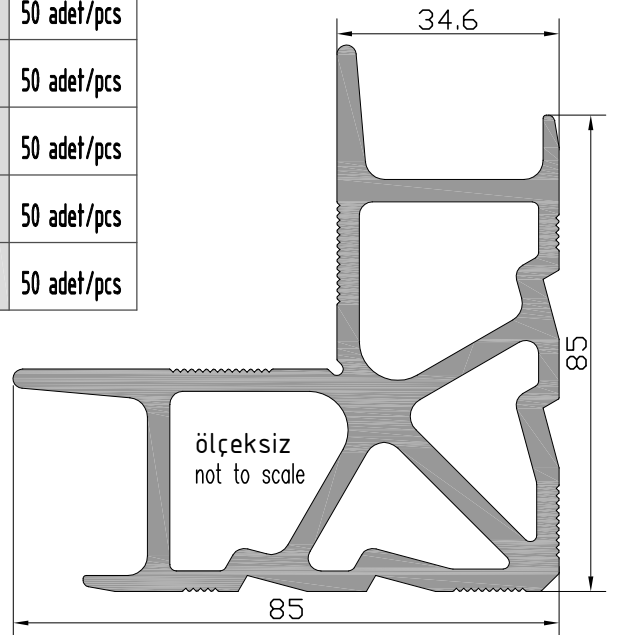
Ağırlık : 4871 gr/m



W-603-a	W-613-a	8.2mm	50 adet/pcs
W-603-b	W-613-b	23.6mm	50 adet/pcs
W-603-c	W-613-c	6mm	50 adet/pcs
W-603-d	W-613-d	25.3mm	50 adet/pcs
W-603-e	W-613-e	50.1mm	50 adet/pcs
W-603-f	W-613-f	5.3mm	50 adet/pcs
W-603-g	W-613-g	4.7mm	50 adet/pcs
W-603-h	W-613-h	7.5mm	50 adet/pcs
W-603-ı	W-613-ı	41.8mm	50 adet/pcs

Profil No: **W-613**

Ağırlık : 3945 gr/m



# W3

## W 55-2 T YALITIMLI SERİ PROFİLLERİ

### W55-2 T INSULATED SERIES

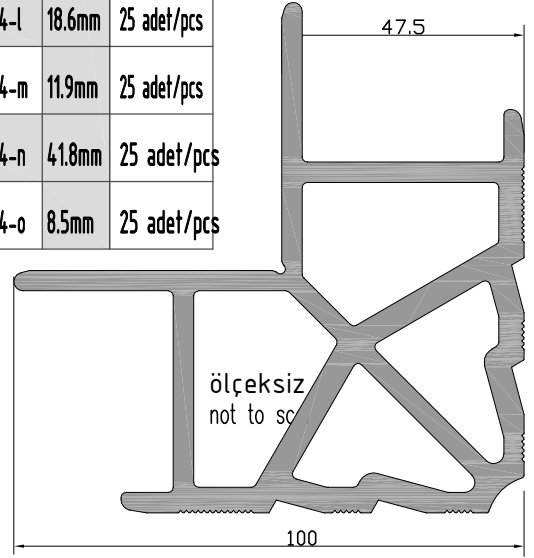
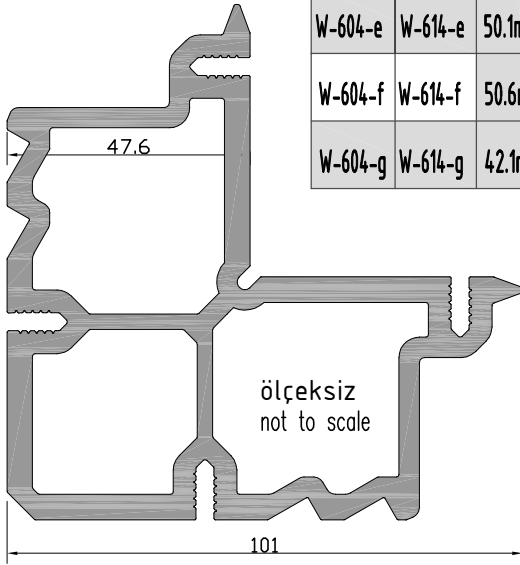
ÜRÜN TEKNİK ÖZELLİKLERİ  
PRODUCT'S TECHNICAL FEATURES

Profil No : W-604  
Ağırlık : 5539 gr/m

W-604-a	W-614-a	6mm	25 adet/pcs
W-604-b	W-614-b	25.3mm	25 adet/pcs
W-604-c	W-614-c	23.4mm	25 adet/pcs
W-604-d	W-614-d	14mm	25 adet/pcs
W-604-e	W-614-e	50.1mm	25 adet/pcs
W-604-f	W-614-f	50.6mm	25 adet/pcs
W-604-g	W-614-g	42.1mm	25 adet/pcs

W-604-h	W-614-h	20mm	25 adet/pcs
W-604-ı	W-614-ı	5.3mm	25 adet/pcs
W-604-j	W-614-j	43.3mm	25 adet/pcs
W-604-k	W-614-k	7.5mm	25 adet/pcs
W-604-l	W-614-l	18.6mm	25 adet/pcs
W-604-m	W-614-m	11.9mm	25 adet/pcs
W-604-n	W-614-n	41.8mm	25 adet/pcs
W-604-o	W-614-o	8.5mm	25 adet/pcs

Profil No : W-614  
Ağırlık : 5318 gr/m

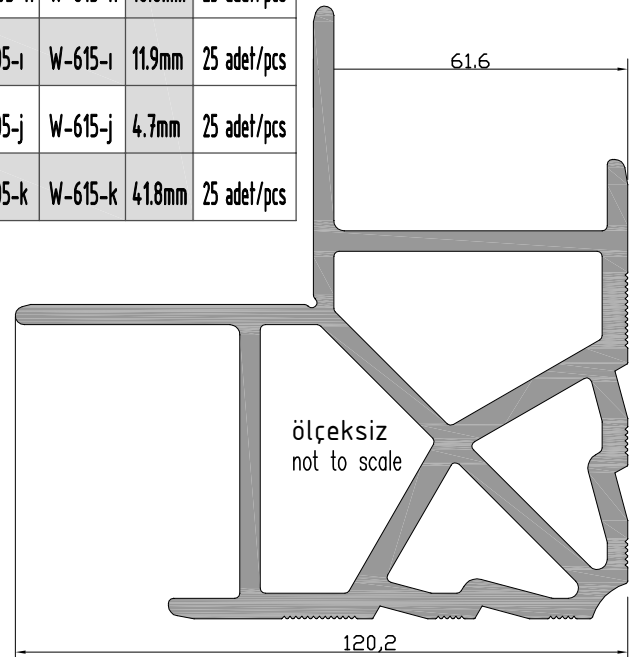
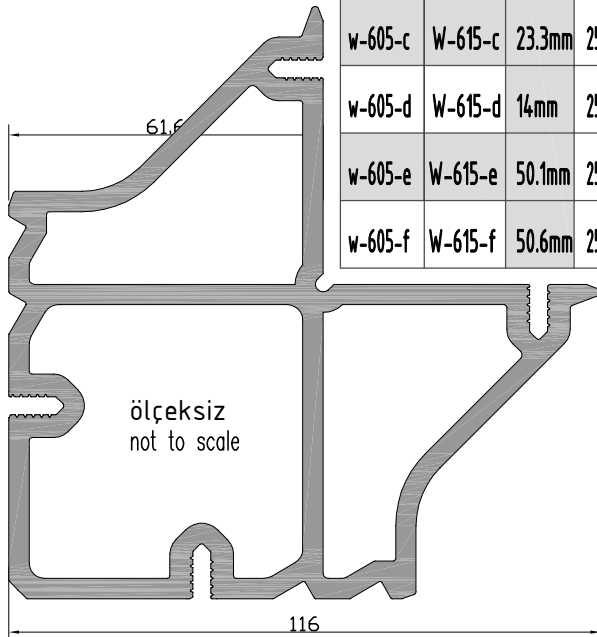


Profil No : W-605  
Ağırlık : 6063 gr/m

w-605-a	W-615-a	6mm	25 adet/pcs
w-605-b	W-615-b	25.3mm	25 adet/pcs
w-605-c	W-615-c	23.3mm	25 adet/pcs
w-605-d	W-615-d	14mm	25 adet/pcs
w-605-e	W-615-e	50.1mm	25 adet/pcs
w-605-f	W-615-f	50.6mm	25 adet/pcs

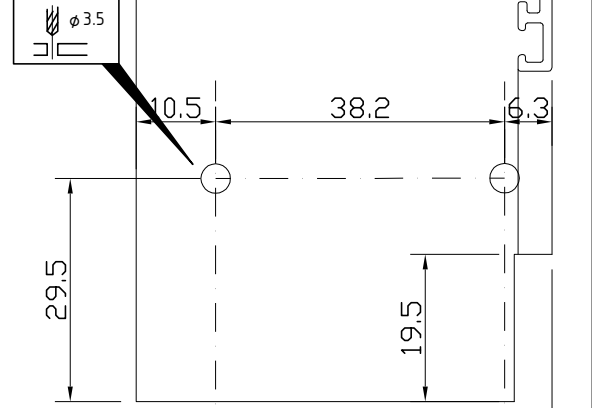
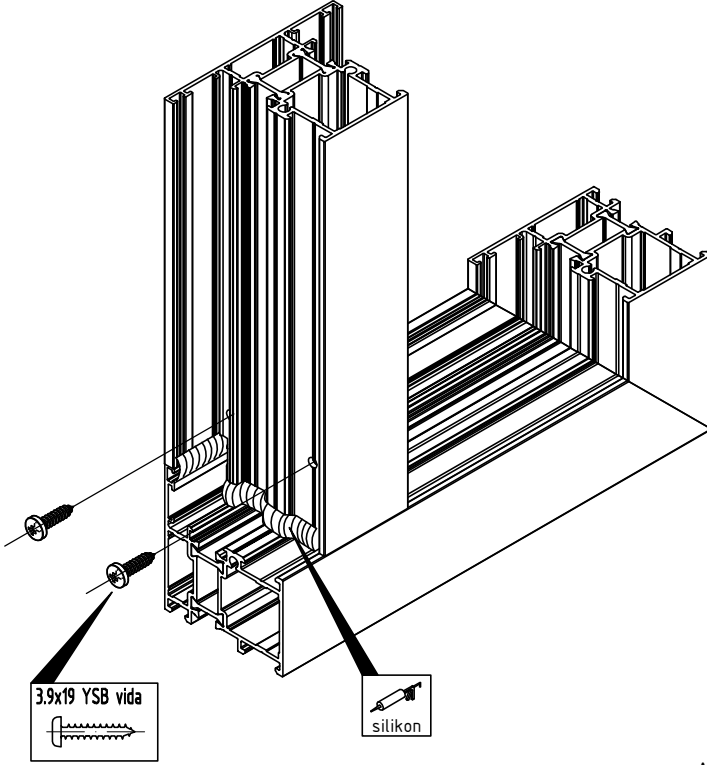
w-605-g	W-615-g	42.1mm	25 adet/pcs
w-605-h	W-615-h	18.6mm	25 adet/pcs
w-605-ı	W-615-ı	11.9mm	25 adet/pcs
w-605-j	W-615-j	4.7mm	25 adet/pcs
w-605-k	W-615-k	41.8mm	25 adet/pcs

Profil No : W-615  
Ağırlık : 6313 gr/m

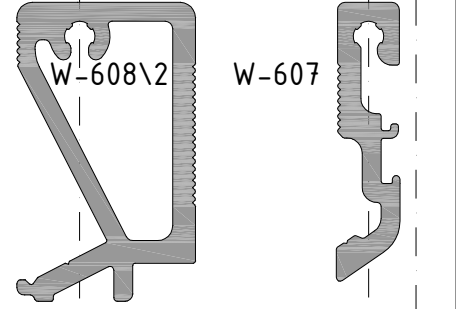


**W3**  
**W 55-2 T YALITIMLI SERİ PROFİLLERİ**  
W55-2 T INSULATED SERIES

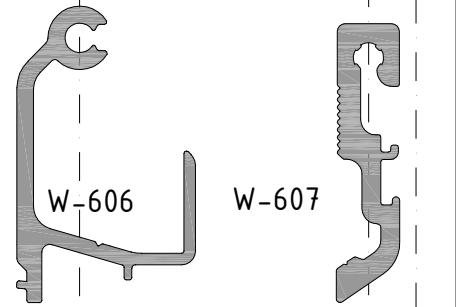
**ÜRÜN TEKNİK ÖZELLİKLERİ**  
PRODUCT'S TECHNICAL FEATURES



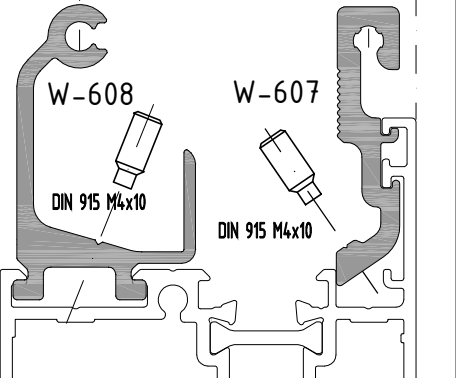
ALTERNATİF 3  
ALTERNATIVE 3



ALTERNATİF 1  
ALTERNATIVE 1



ALTERNATİF 2  
ALTERNATIVE 2

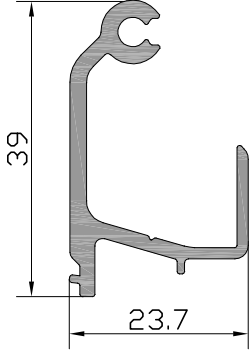


Profil değerleri teoriktir. Ağırlık olarak testimde yapılan tartım geçerlidir.  
Profil imalatları TS EN 12020-2 ve TS EN 755-9 toleransı,  
Moment değerleri EN 14024'e göre hesaplanmıştır.

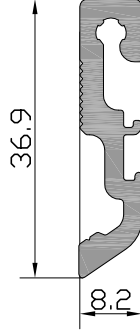
Profile values are theoretical pre-shipment weight will be valid.  
The tolerances of Profile manufacturing are calculated according to EN 12020-2  
and TS EN 755-9; moment values are calculated according to EN 14024.

**W3**  
**W 55-2 T YALITIMLI SERİ PROFİLLERİ**  
W55-2 T INSULATED SERIES

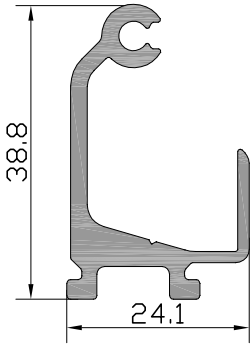
ÜRÜN TEKNİK ÖZELLİKLERİ  
PRODUCT'S TECHNICAL FEATURES



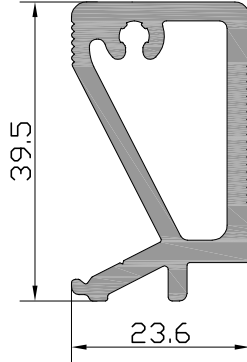
Profil No : W-606  
Ağırlık : 482gr/m



Profil No : W-607  
Ağırlık : 431 gr/m

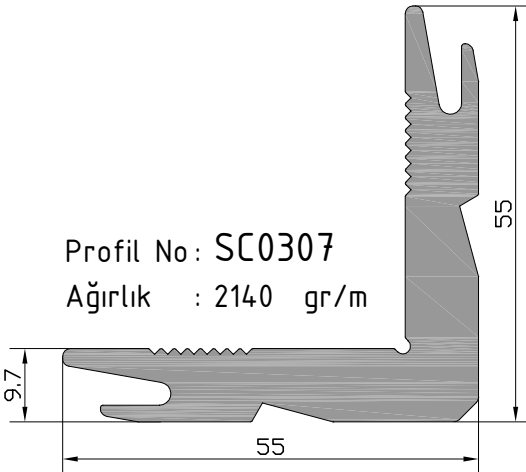


Profil No : W-608  
Ağırlık : 583 gr/m



Profil No : W-608\2  
Ağırlık : 904 gr/m

W-606-a	W-607-a	W-608-a	W-608\2-a	14.6mm	100 adet/pcs
W-606-b	W-607-b	W-608-b	W-608\2-b	24.6mm	100 adet/pcs
W-606-c	W-607-c	W-608-c	W-608\2-c	34.6mm	100 adet/pcs
W-606-d	W-607-d	W-608-d	W-608\2-d	55.6mm	100 adet/pcs
W-606-e	W-607-e	W-608-e	W-608\2-e	80.3mm	100 adet/pcs
W-606-f	W-607-f	W-608-f	W-608\2-f	110.6mm	100 adet/pcs
W-606-g	W-607-g	W-608-g	W-608\2-g	19.6mm	100 adet/pcs
W-606-h	W-607-h	W-608-h	W-608\2-h	9.7mm	100 adet/pcs
W-606-ı	W-607-ı	W-608-ı	W-608\2-ı	66.6mm	100 adet/pcs
W-606-j	W-607-j	W-608-j	W-608\2-j	53.4mm	100 adet/pcs
W-606-k	W-607-k	W-608-k	W-608\2-k	115.6mm	100 adet/pcs
W-606-l	W-607-l	W-608-l	W-608\2-l	85.6mm	100 adet/pcs
W-606-m	W-607-m	W-608-m	W-608\2-m	45.6mm	100 adet/pcs

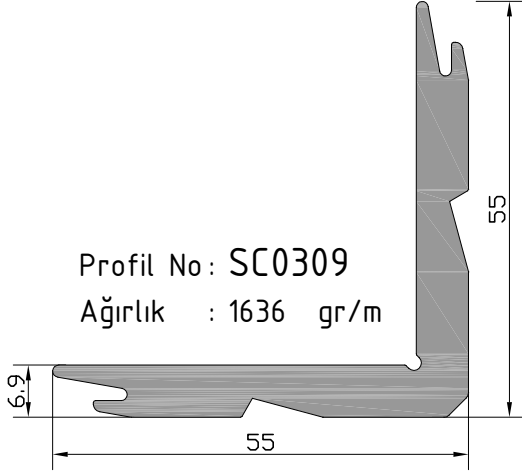


Profil No : SC0307  
Ağırlık : 2140 gr/m

SC0307-a	10.25mm	100 adet/pcs	SC0307-f	25.6mm	100 adet/pcs
SC0307-b	27mm	100 adet/pcs	SC0307-g	6mm	100 adet/pcs
SC0307-c	8.5mm	100 adet/pcs	SC0307-h	4.7mm	100 adet/pcs
SC0307-d	24mm	100 adet/pcs	SC0307-ı	26.28mm	100 adet/pcs
SC0307-e	6.3mm	100 adet/pcs	SC0307-j	29.5mm	100 adet/pcs

**W3**  
**W 55-2 T YALITIMLI SERİ PROFİLLERİ**  
W55-2 T INSULATED SERIES

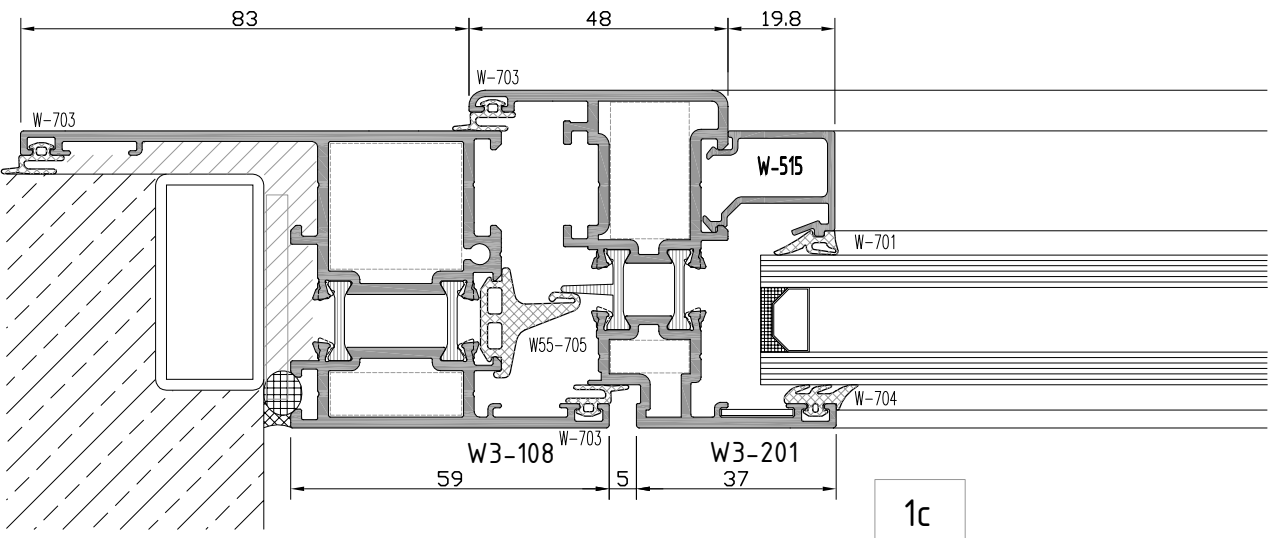
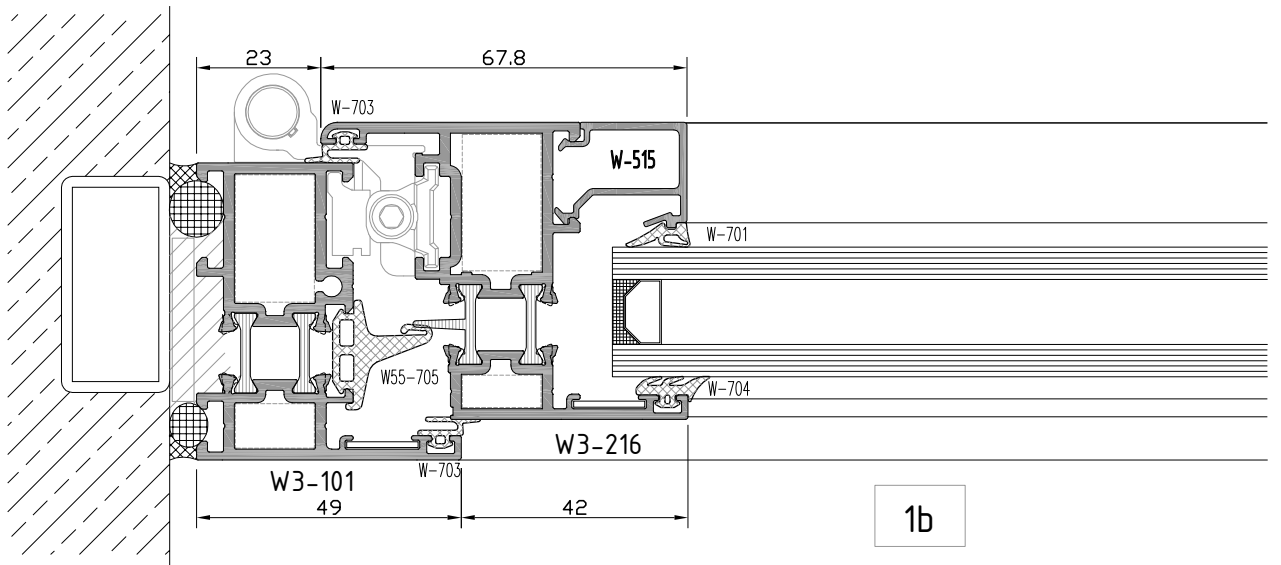
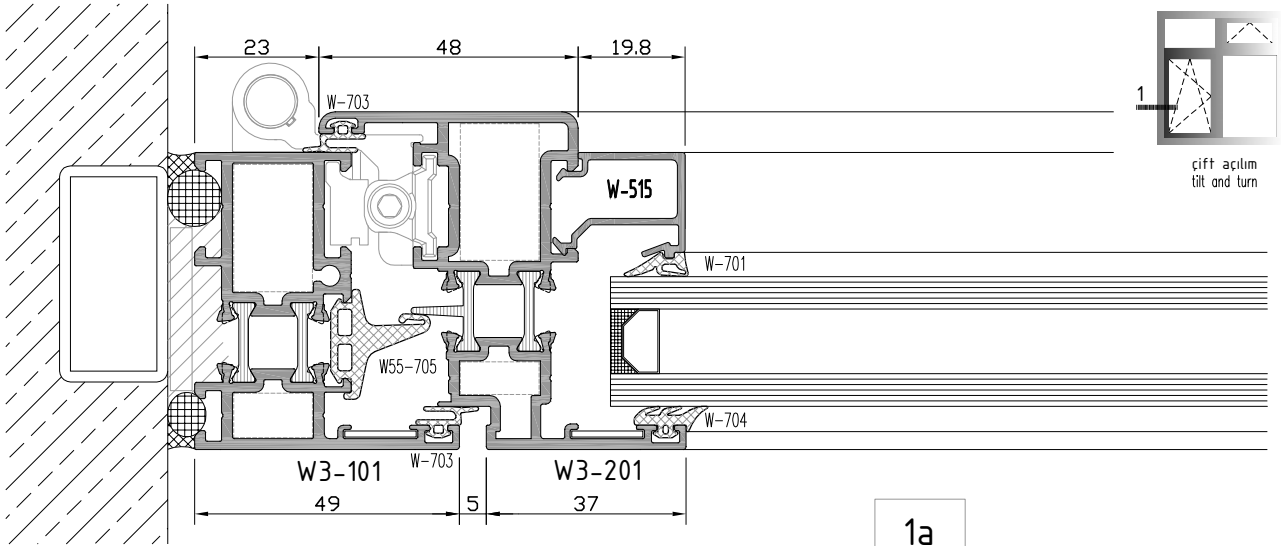
ÜRÜN TEKNİK ÖZELLİKLERİ  
PRODUCT'S TECHNICAL FEATURES



SC0309-a	6.5mm	100 adet/pcs	SC0309-f	4.7mm	100 adet/pcs
SC0309-b	8.5mm	100 adet/pcs	SC0309-g	54.2mm	100 adet/pcs
SC0309-c	18.9mm	100 adet/pcs	SC0309-h	23.8mm	100 adet/pcs
SC0309-d	20mm	100 adet/pcs	SC0309-i	48.2mm	100 adet/pcs
SC0309-e	25.3mm	100 adet/pcs			

**W3**  
**W 55-2T YALITIMLI SERİ PROFİLLERİ**  
 W55-2T INSULATED SERIES

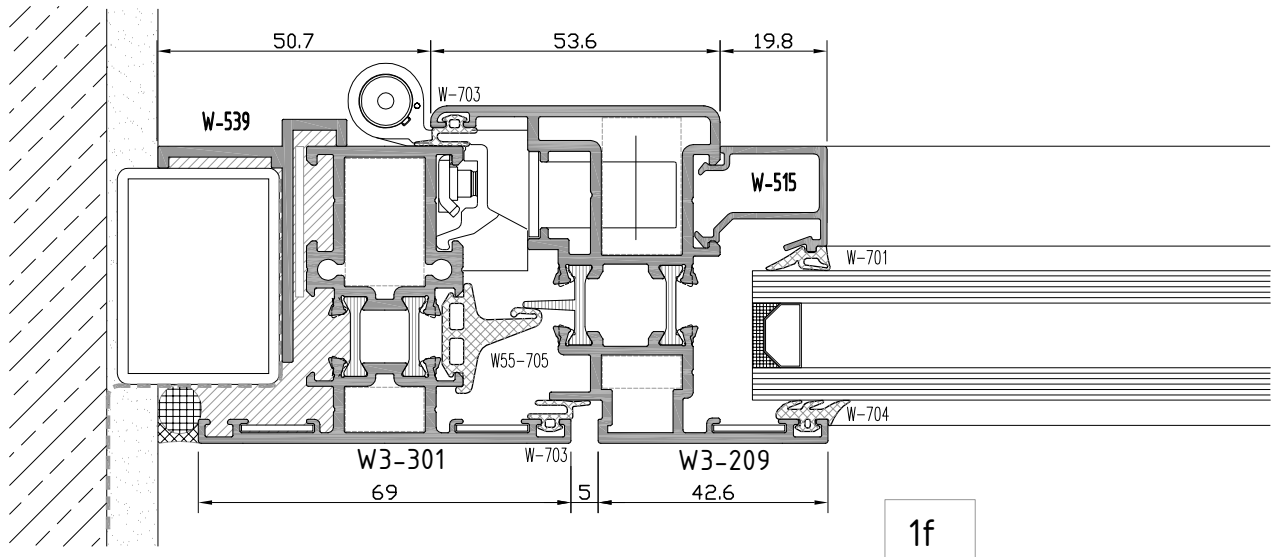
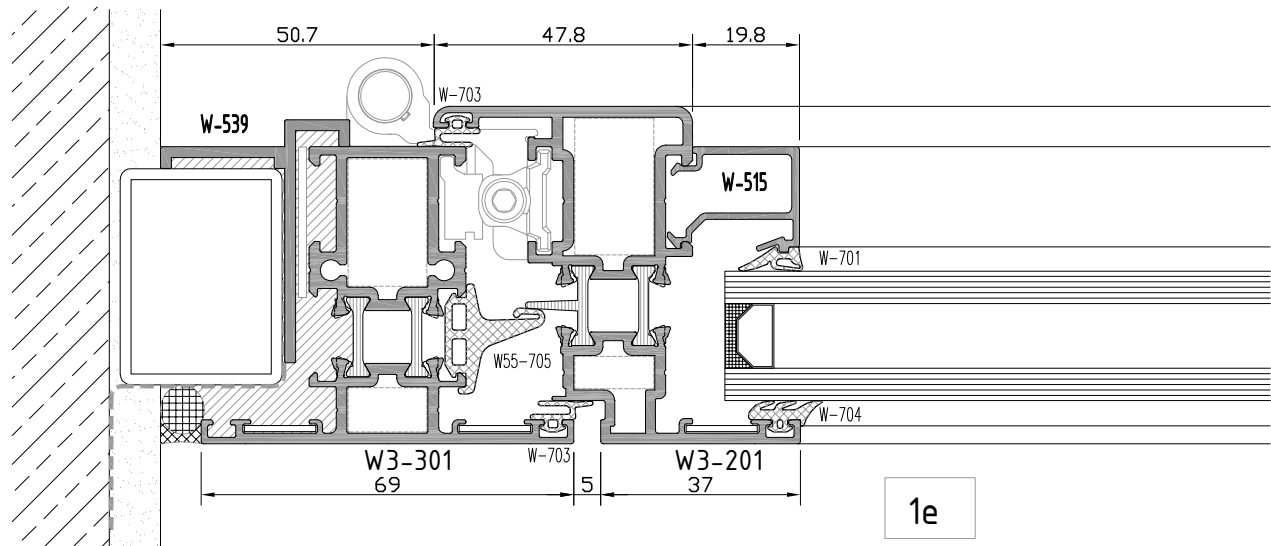
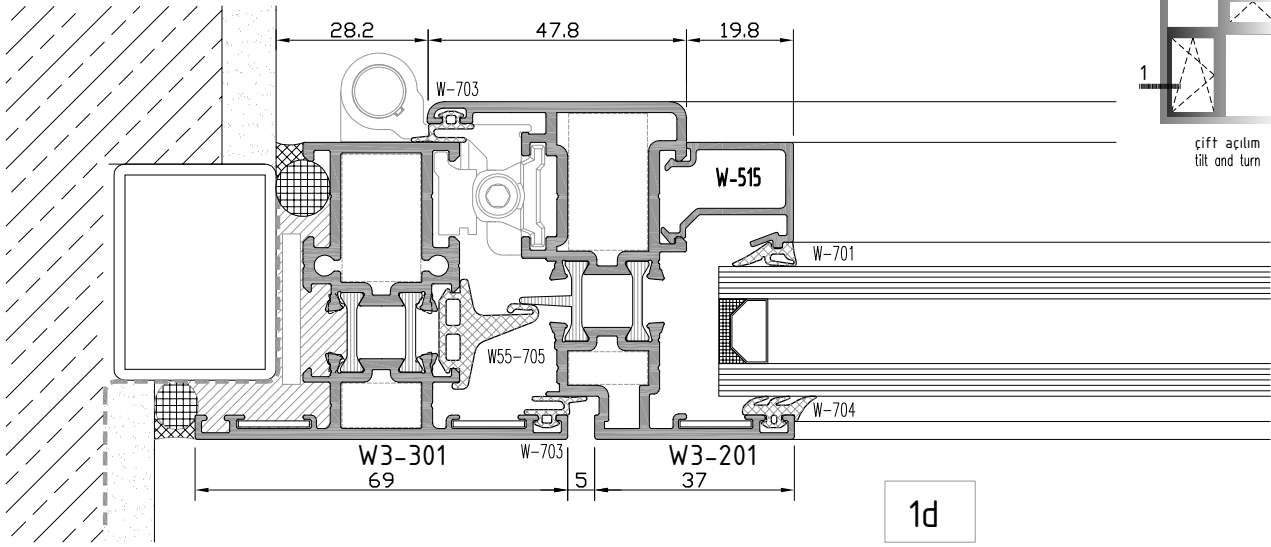
**YAN BİTİM DETAYI**  
 WALL CONNECTION DETAIL



not to scale

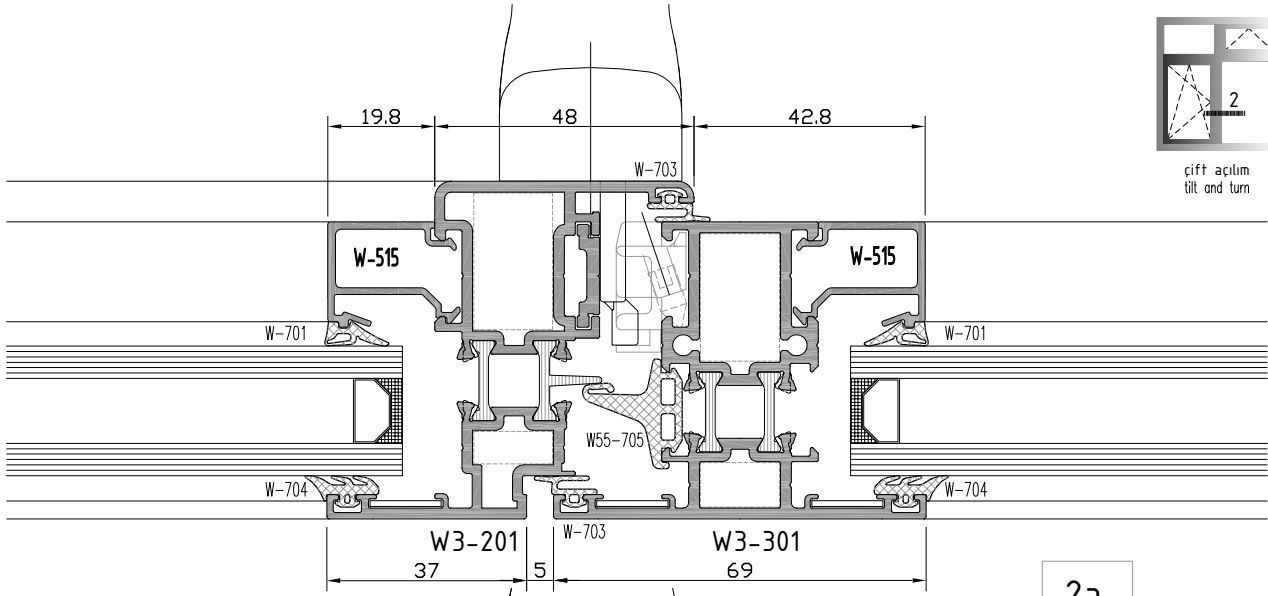
**W3**  
**W 55-2T YALITIMLI SERİ PROFİLLERİ**  
 W55-2T INSULATED SERIES

**YAN BİTİM DETAYI**  
 WALL CONNECTION DETAIL

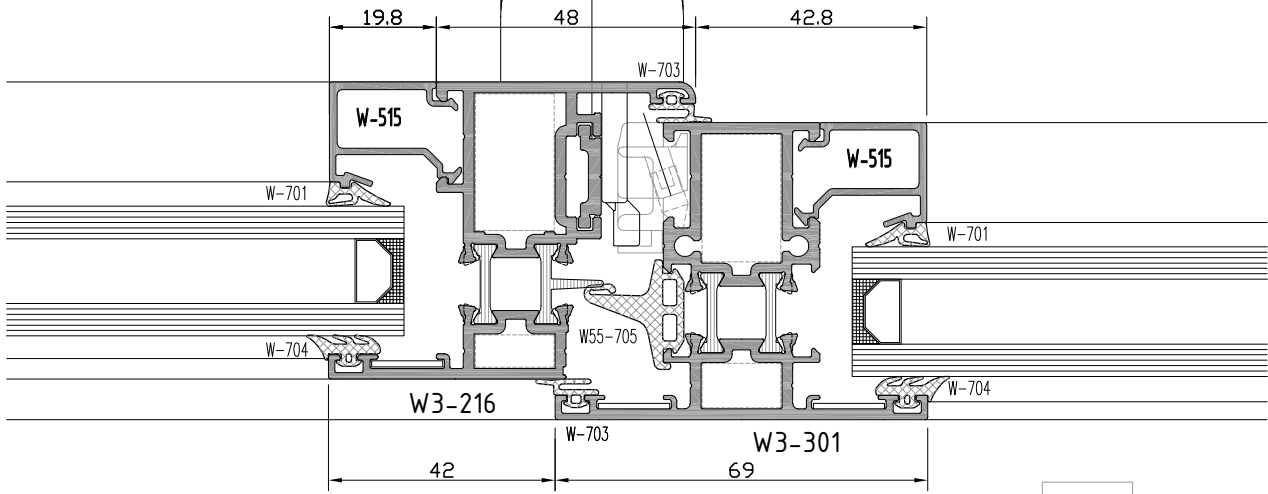


**W3**  
**W 55-2T YALITIMLI SERİ PROFİLLERİ**  
W55-2T INSULATED SERIES

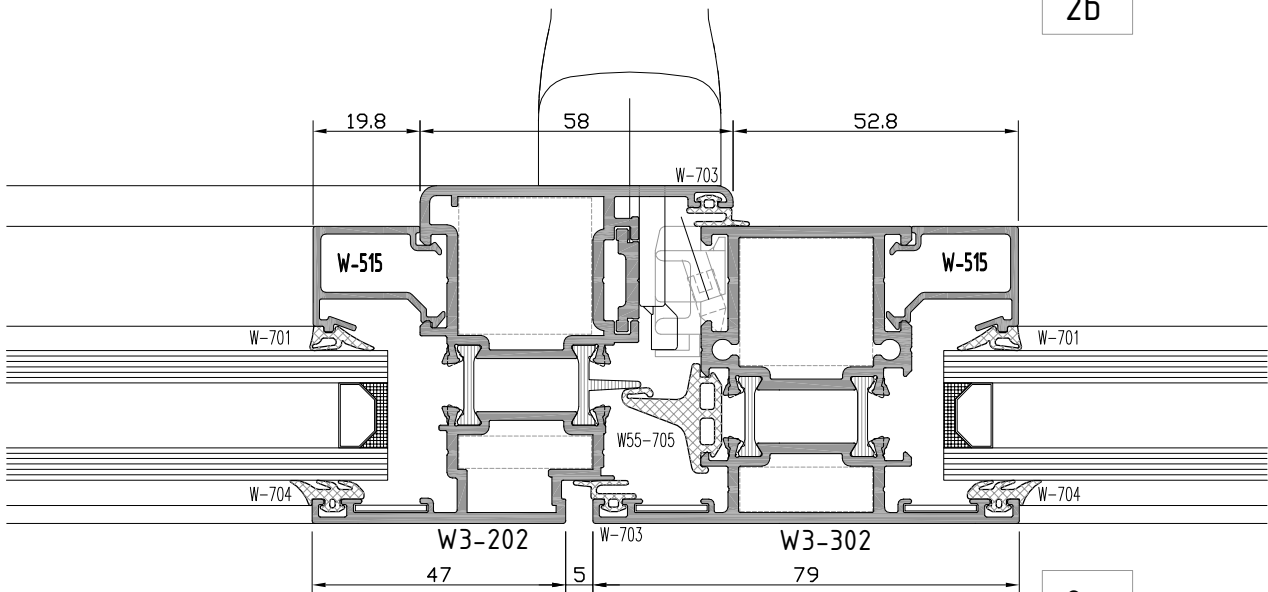
**ORTA KAYIT DETAYI**  
MULLION DETAIL



2a



2b



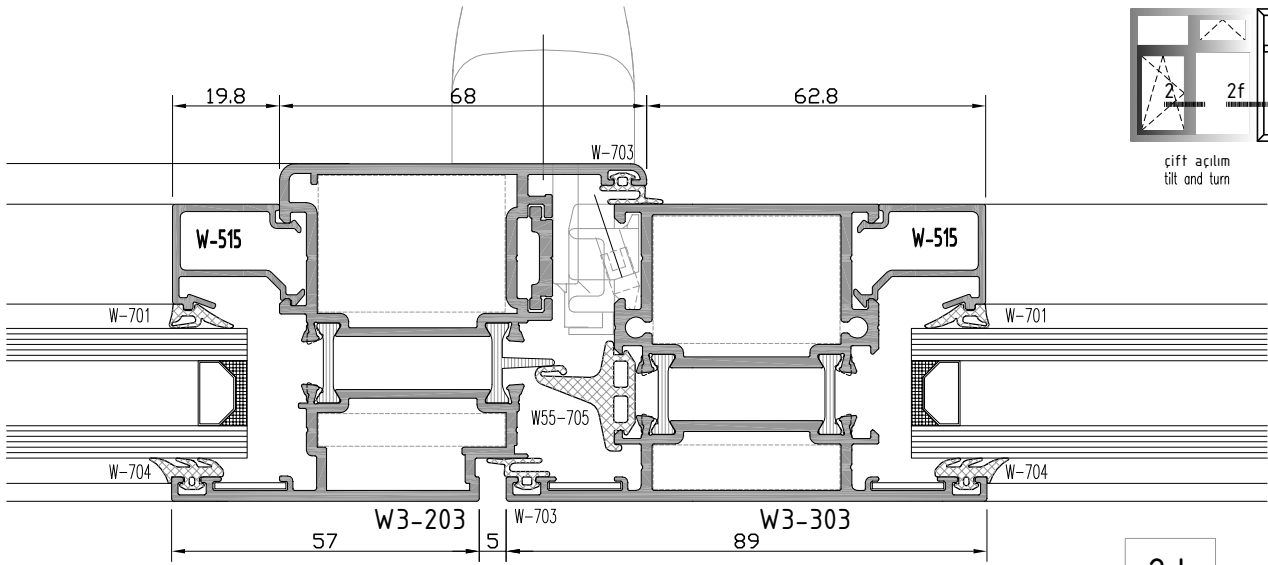
2c

not to scale

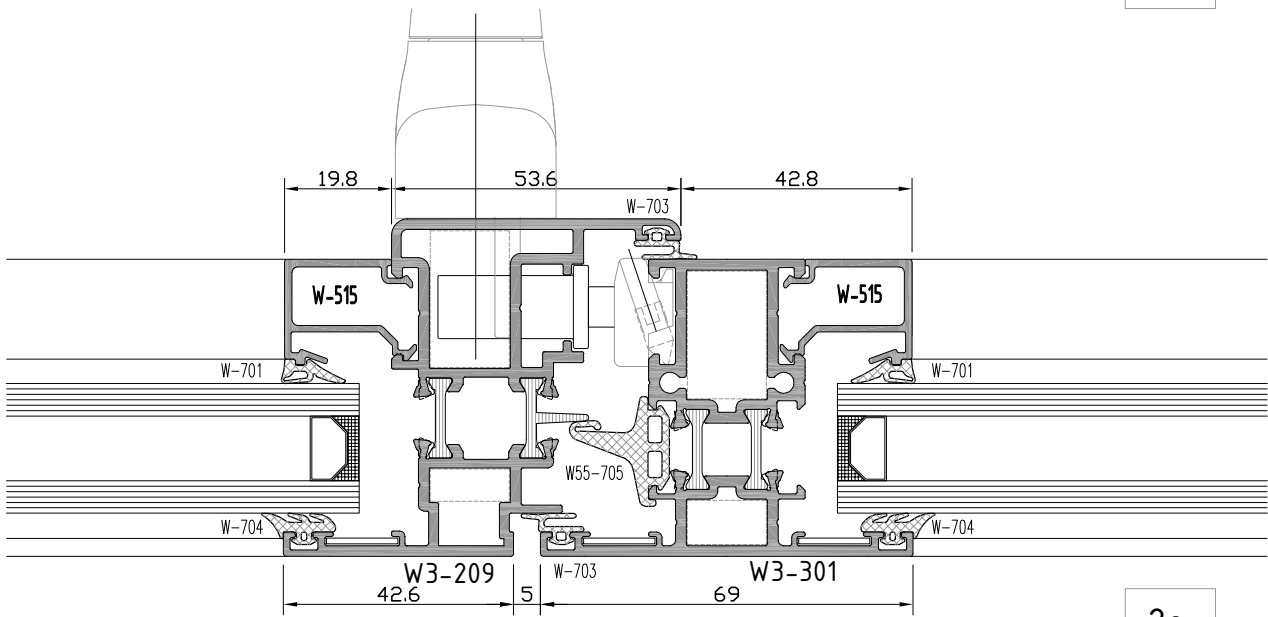


**W3**  
**W 55-2T YALITIMLI SERİ PROFİLLERİ**  
 W55-2T INSULATED SERIES

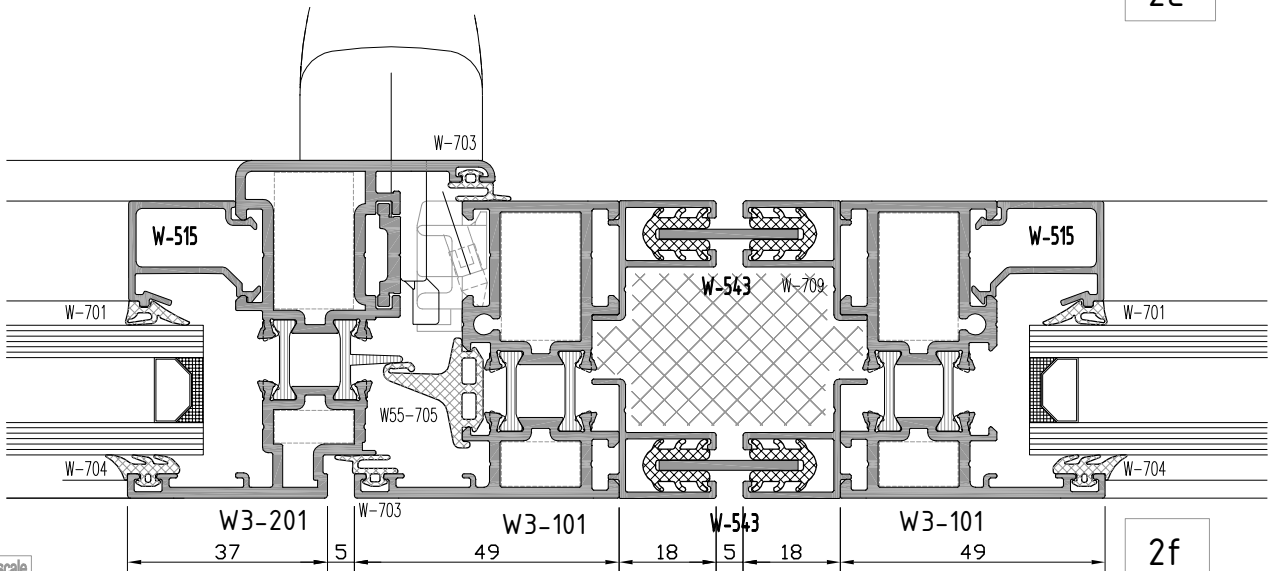
**ORTA KAYIT DETAYI**  
 MULLION DETAIL



2d



2e

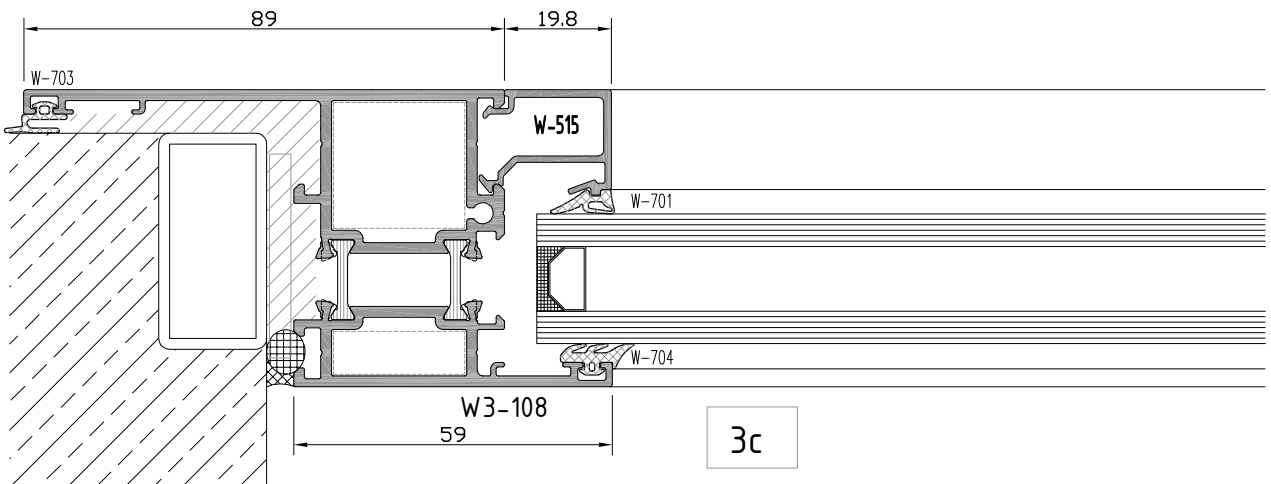
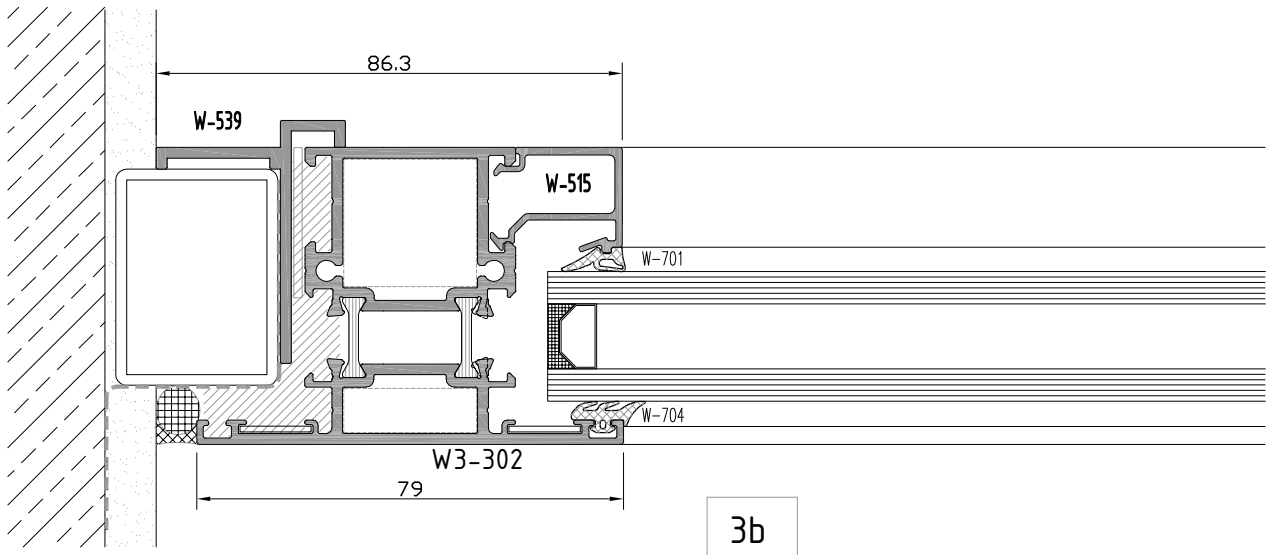
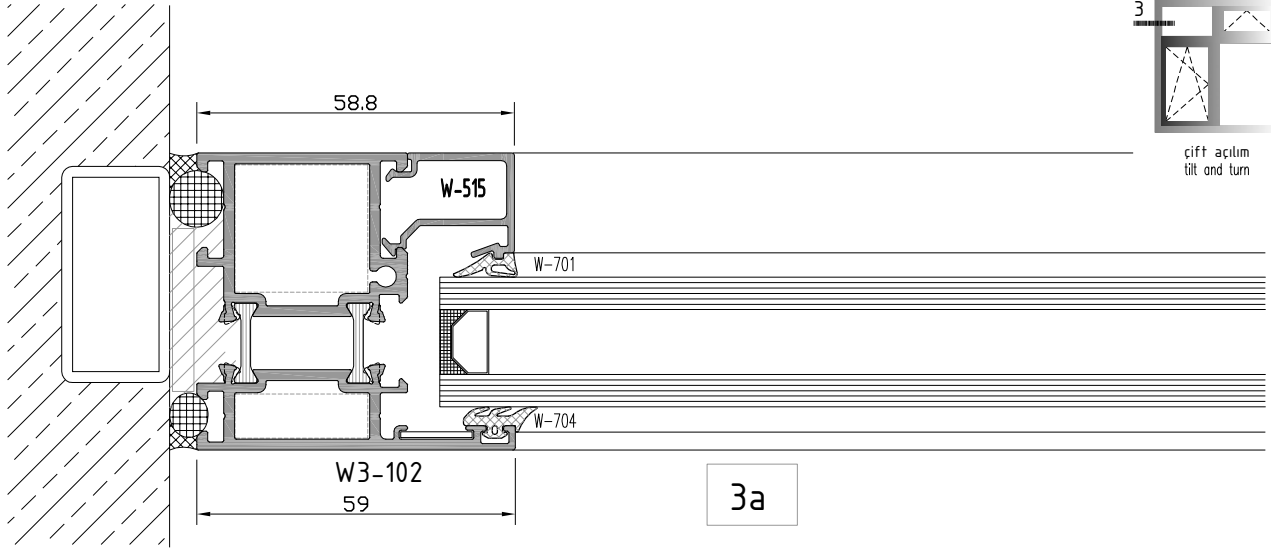


2f

not to scale

**W3**  
**W 55-2T YALITIMLI SERİ PROFİLLERİ**  
W55-2T INSULATED SERIES

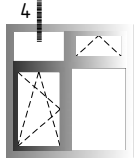
**YAN BİTİM DETAYI**  
WALL CONNECTION DETAIL



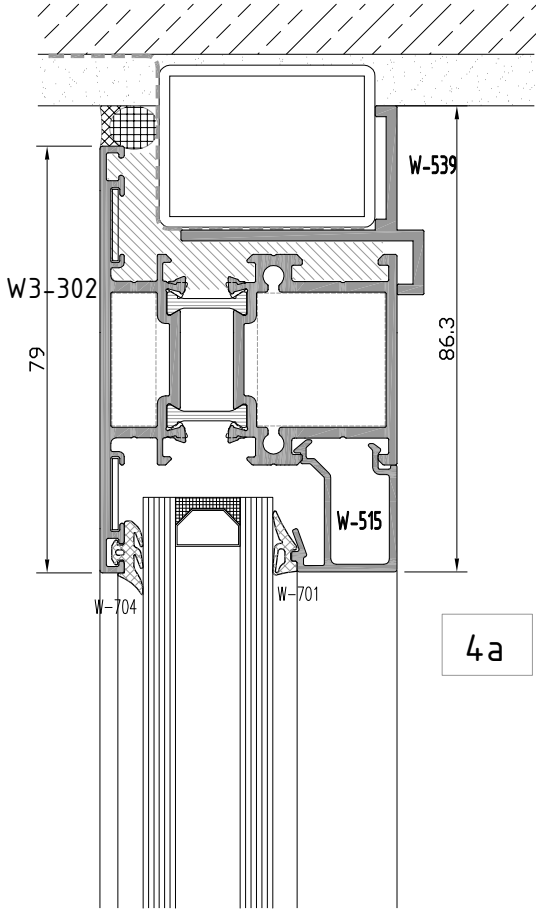
not to scale

**W3**  
**W 55-2T YALITIMLI SERİ PROFİLLERİ**  
W55-2T INSULATED SERIES

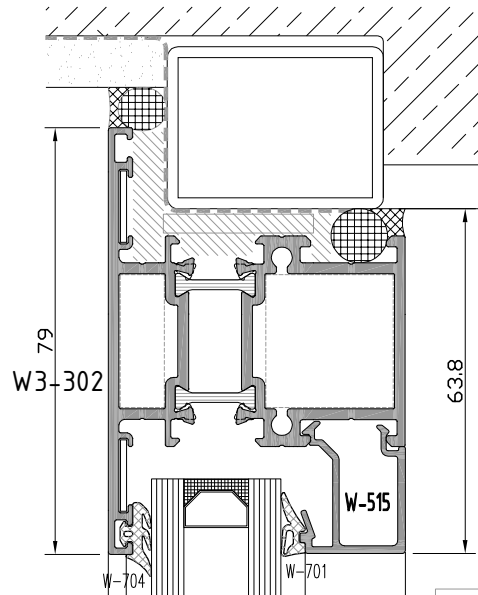
**ÜST BİTİM DETAYI**  
TOP EDGE - DETAIL



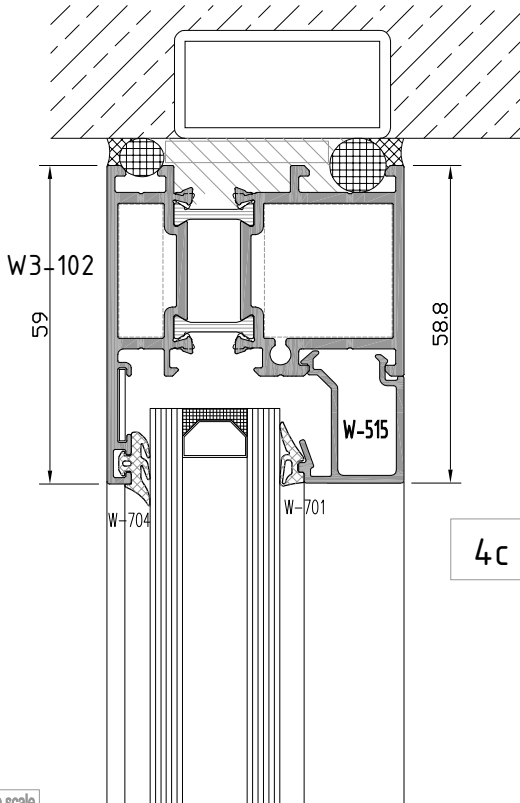
cift açılım  
tilt and turn



4a



4b

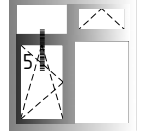


4c

not to scale

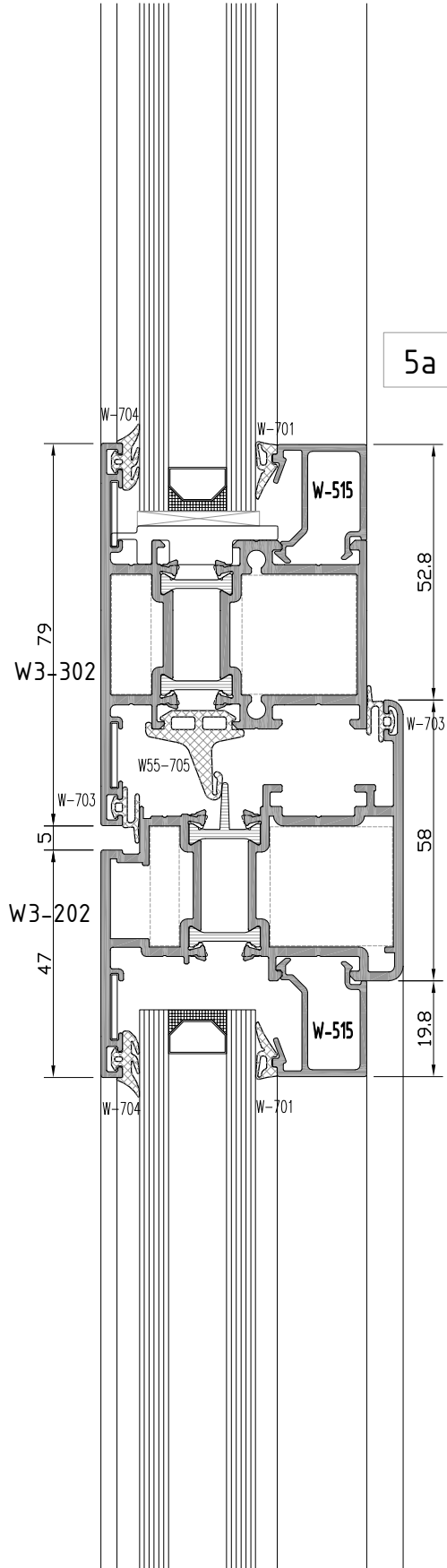
**W3**  
**W 55-2T YALITIMLI SERİ PROFİLLERİ**  
W55-2T INSULATED SERIES

**ORTA KAYIT DETAYI**  
MULLION DETAIL

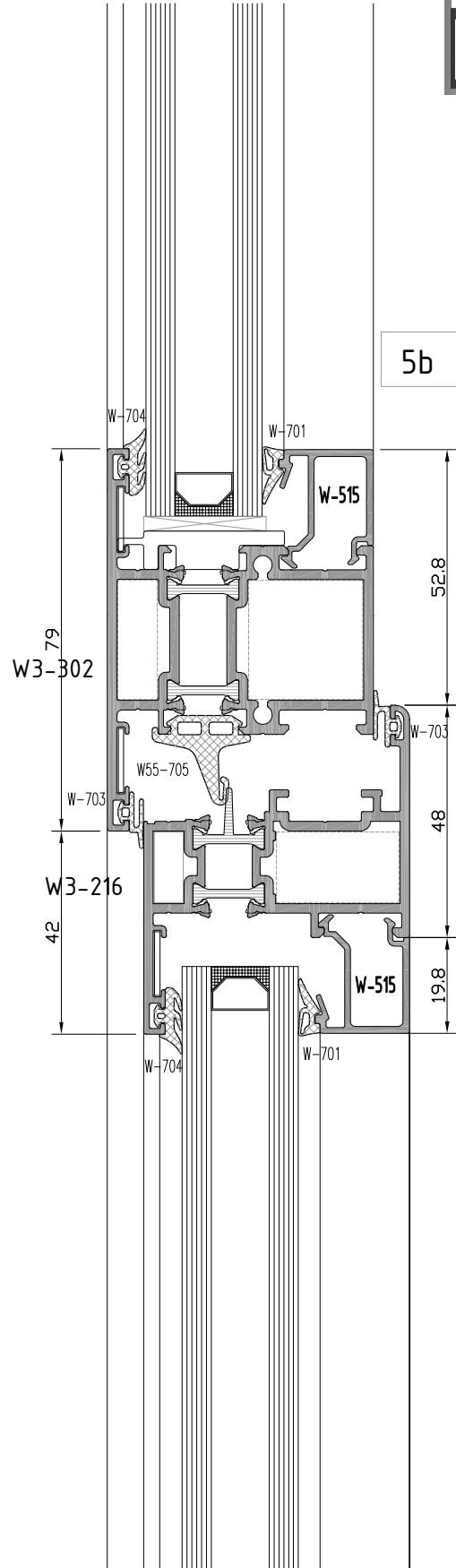


çift açılım  
tilt and turn

5a



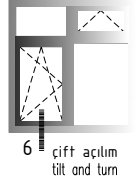
5b



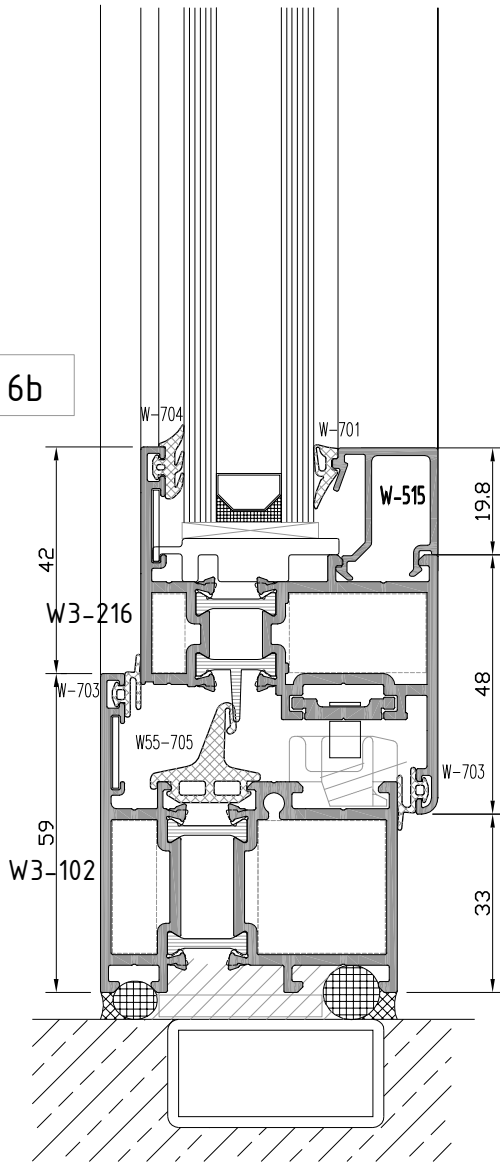
not to scale

**W3**  
**W 55-2T YALITIMLI SERİ PROFİLLERİ**  
W55-2T INSULATED SERIES

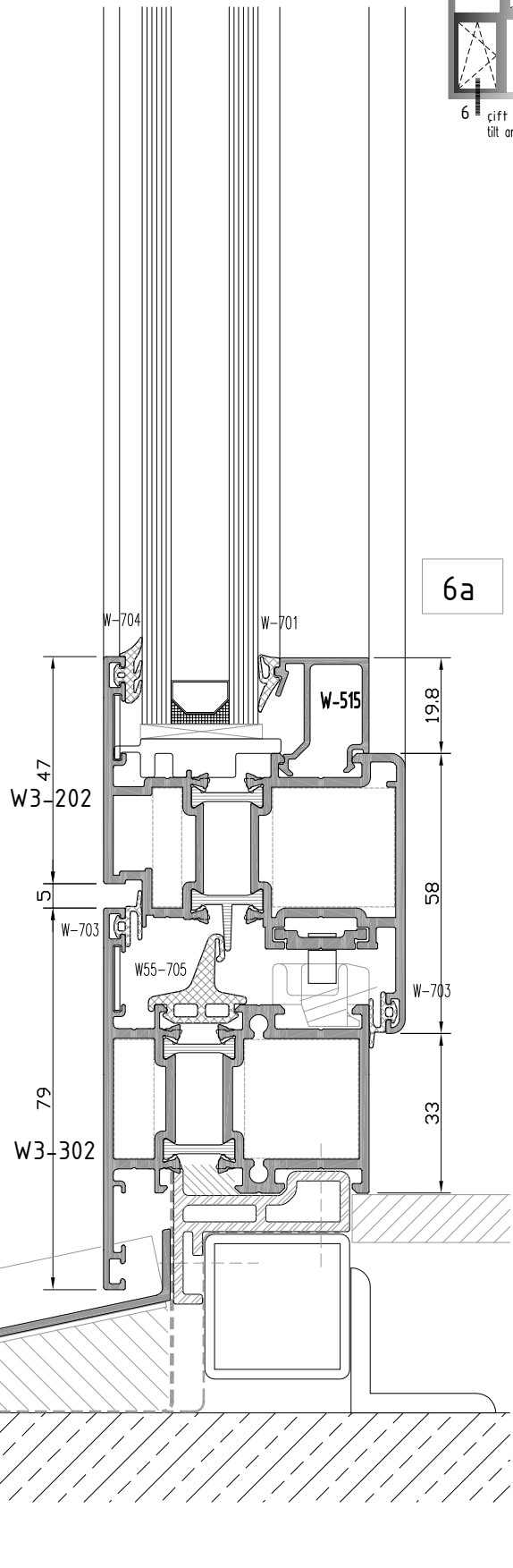
**ALT BİTİM DETAYI**  
BOTTOM EDGE - DETAIL



6b



6a

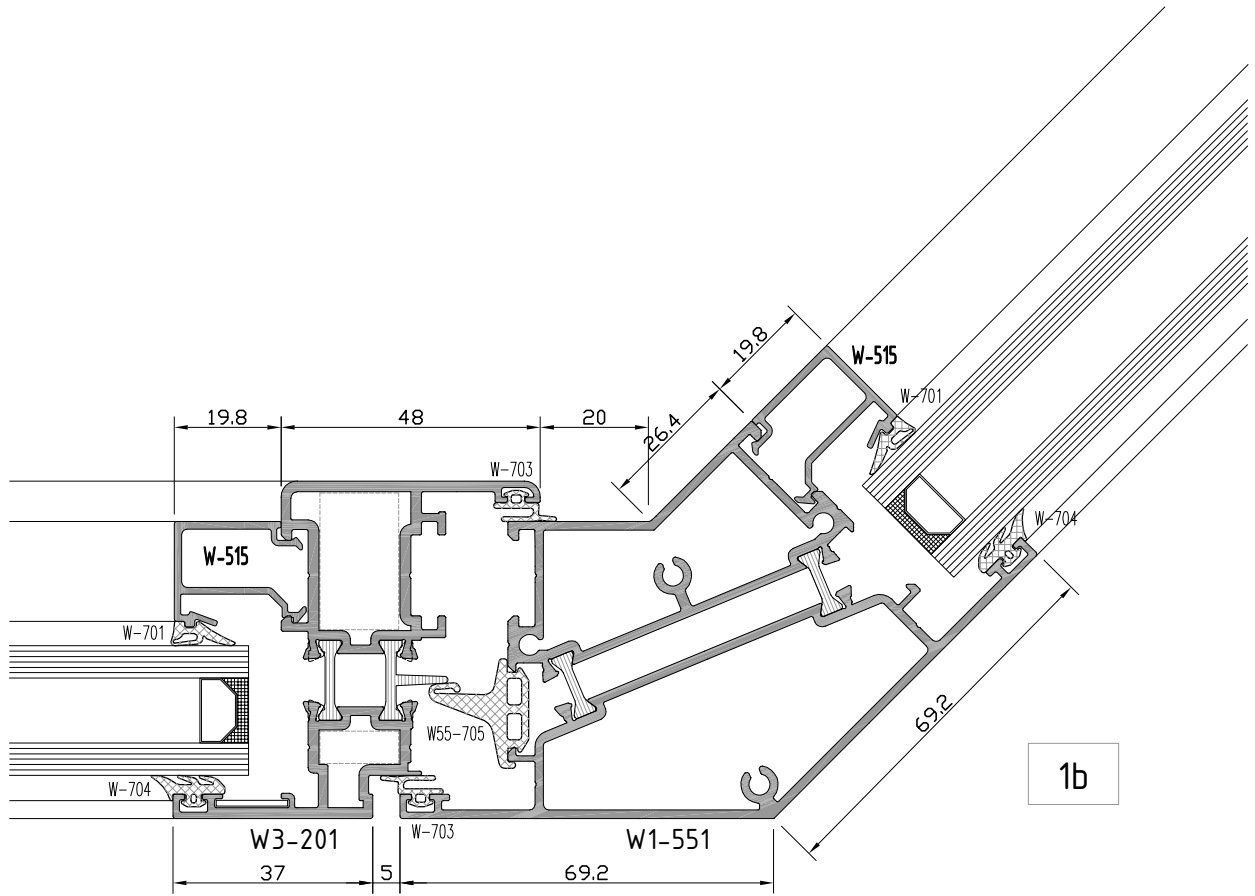
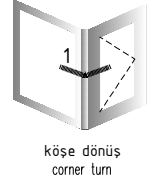
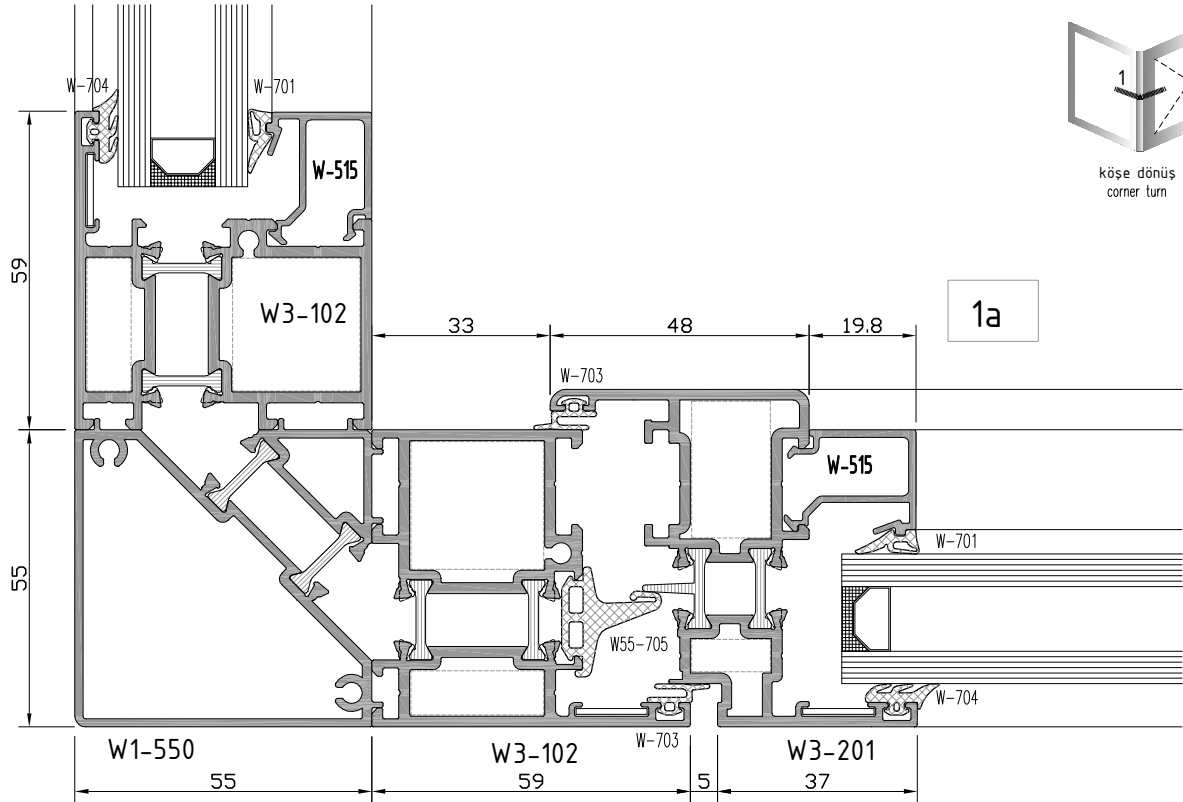


not to scale



**W3**  
**W 55-2T YALITIMLI SERİ PROFİLLERİ**  
W55-2T INSULATED SERIES

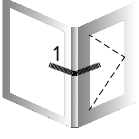
**KÖŞE DETAYI**  
CORNER DETAIL



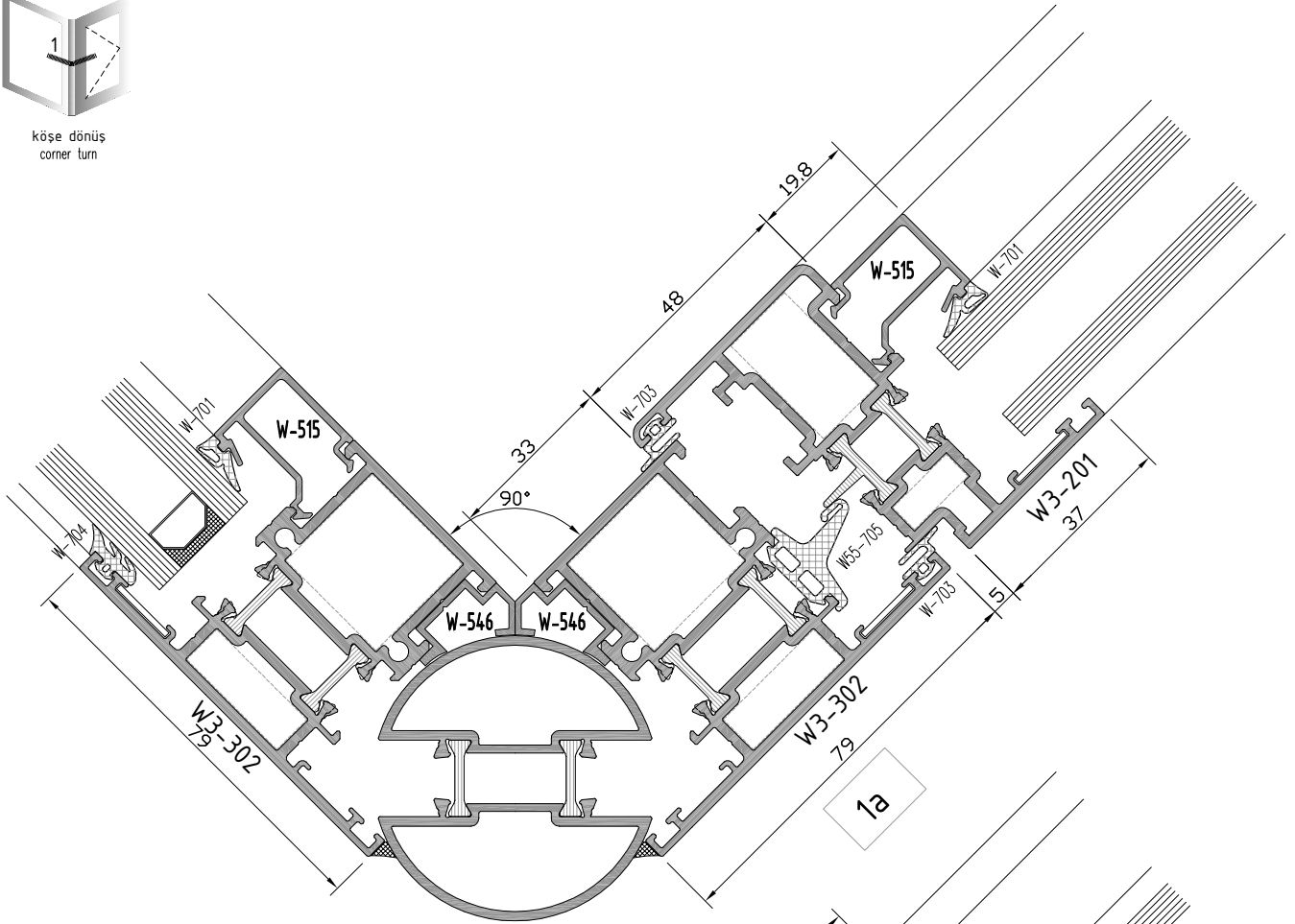
not to scale

**W3**  
**W 55-2T YALITIMLI SERİ PROFİLLERİ**  
W55-2T INSULATED SERIES

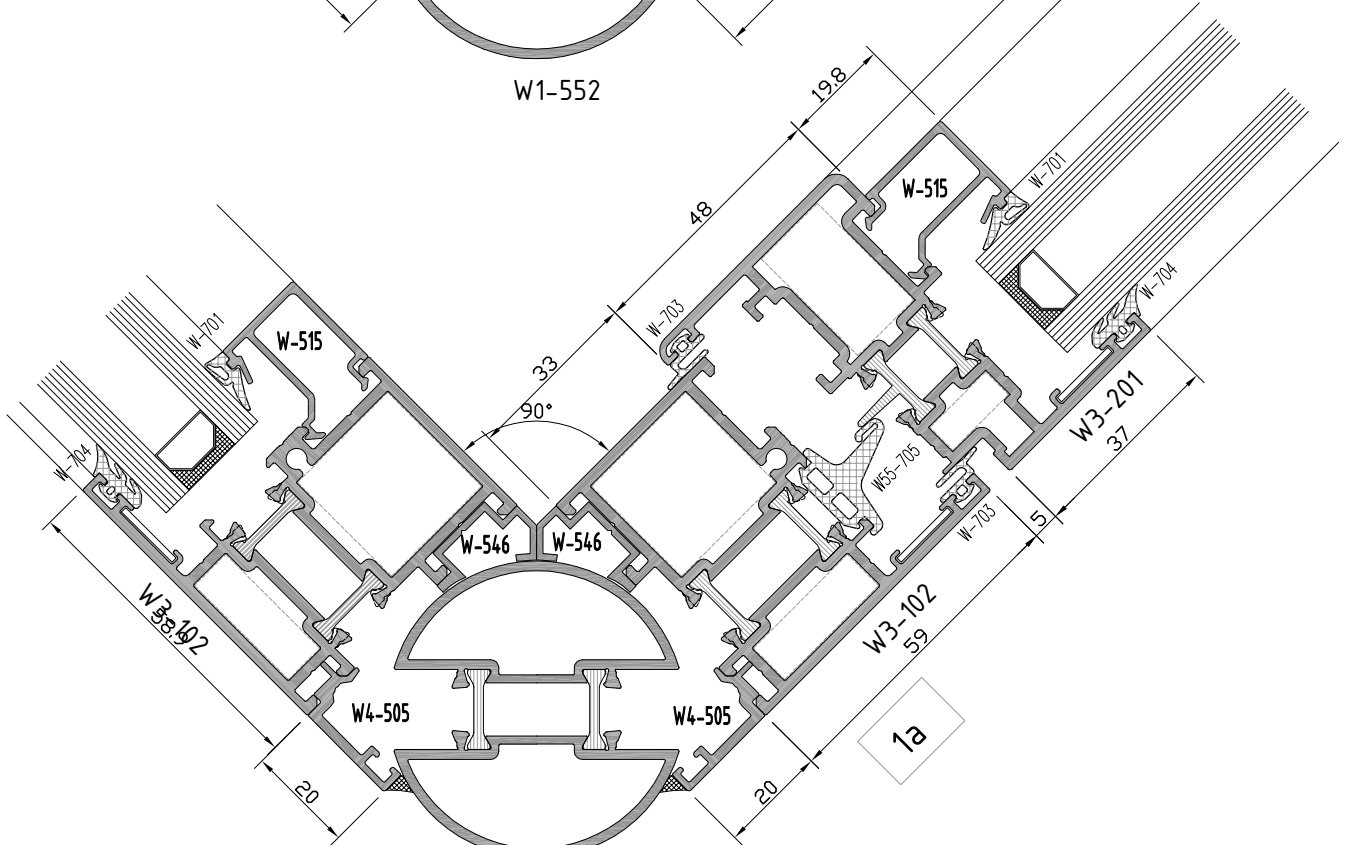
**KÖŞE DETAYI**  
CORNER DETAIL



köşe dönüş  
corner turn



W1-552



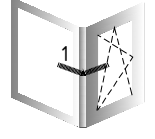
W1-552

not to scale

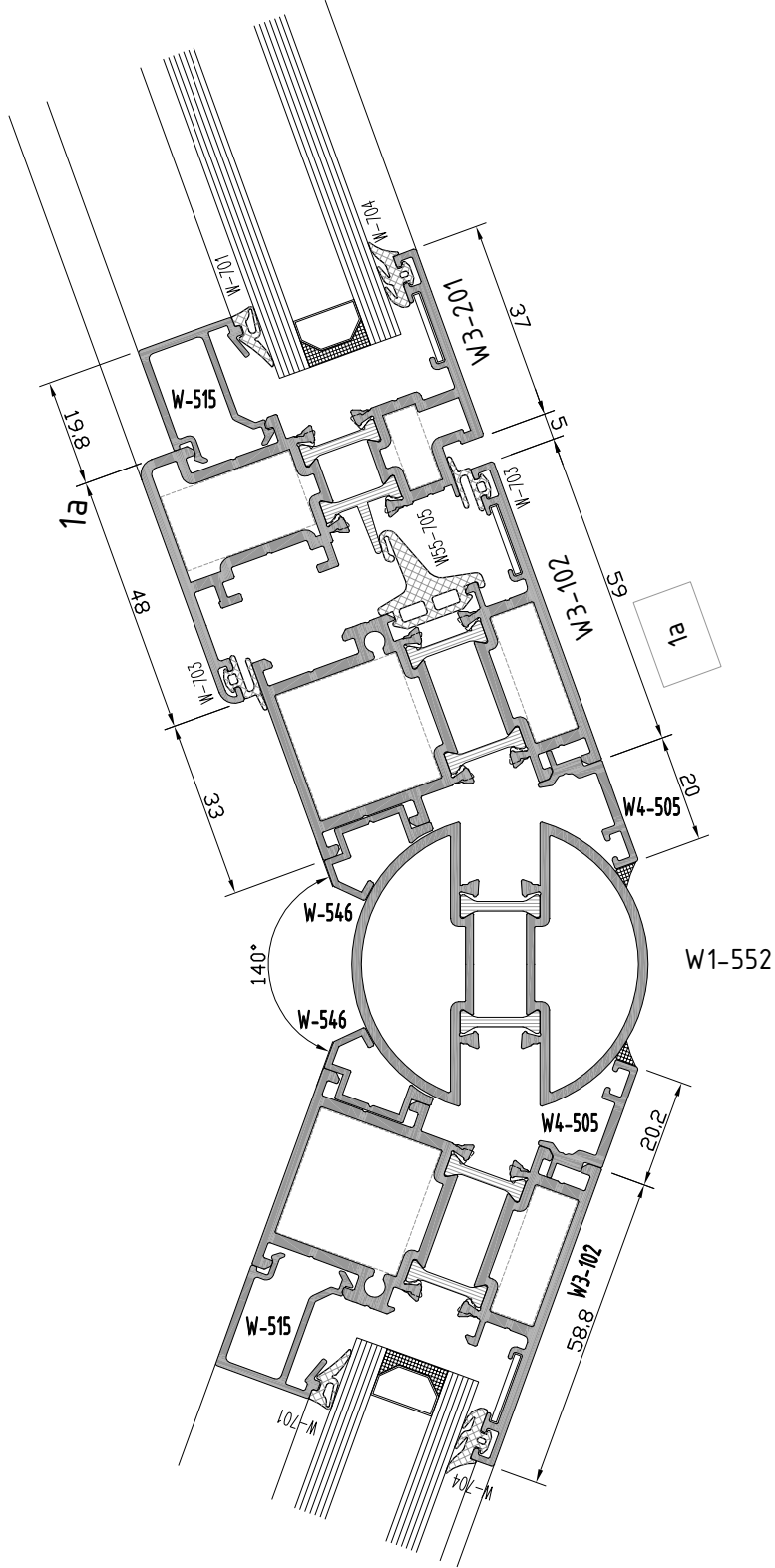


**W3**  
**W 55-2T YALITIMLI SERİ PROFİLLERİ**  
W55-2T INSULATED SERIES

**KÖŞE DETAYI**  
CORNER DETAIL



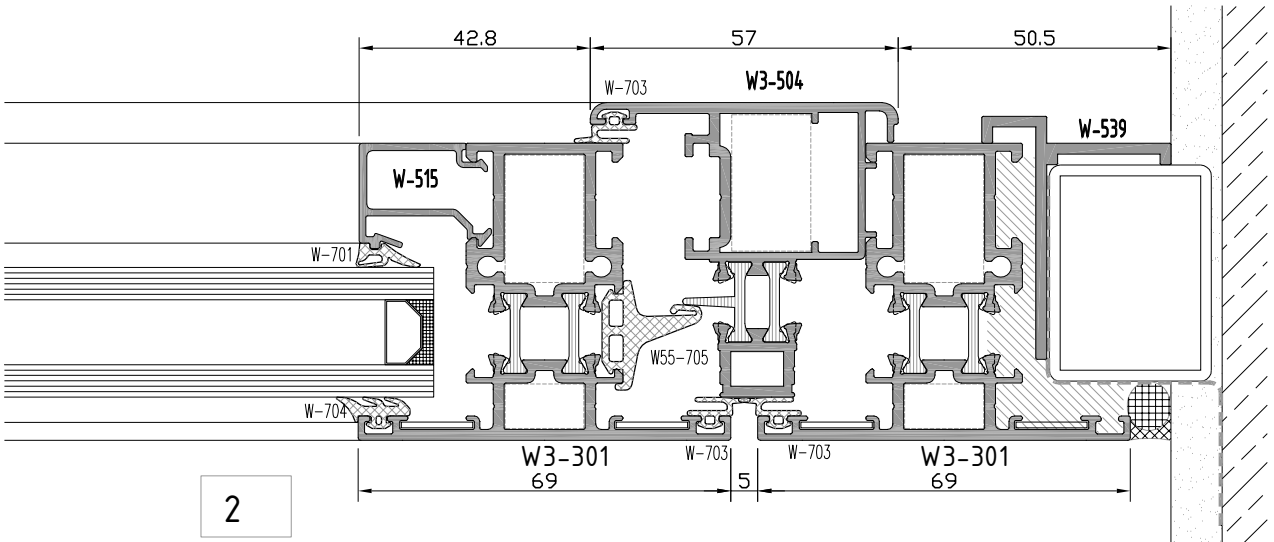
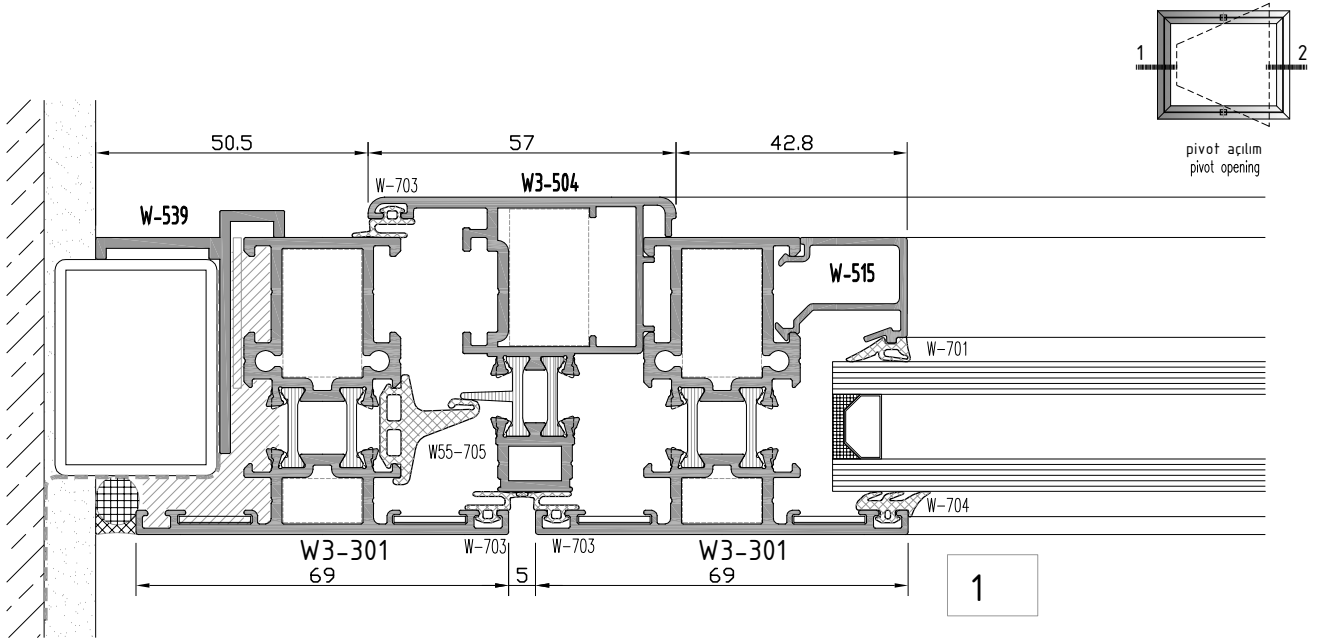
köşe dönüş  
corner turn



not to scale

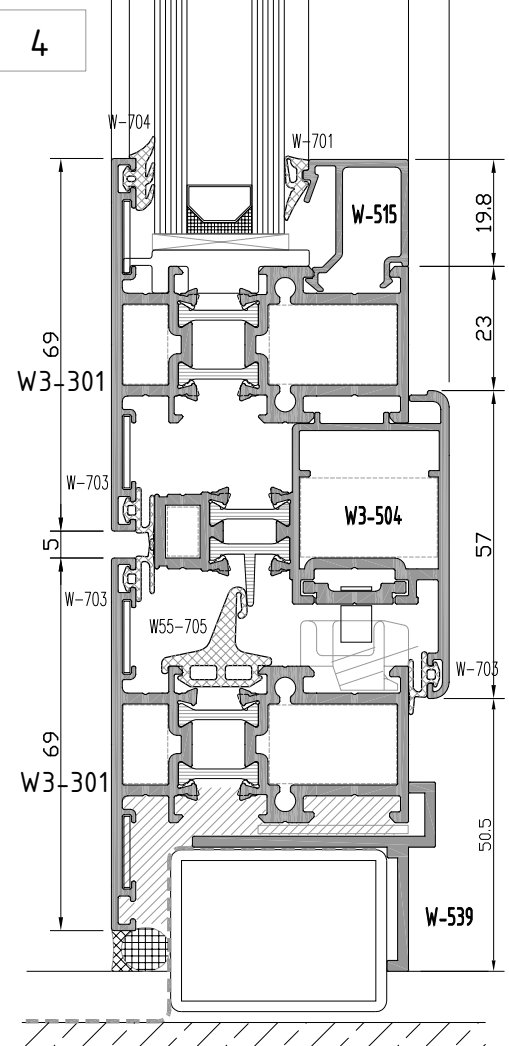
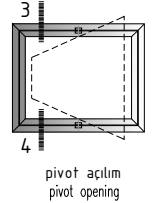
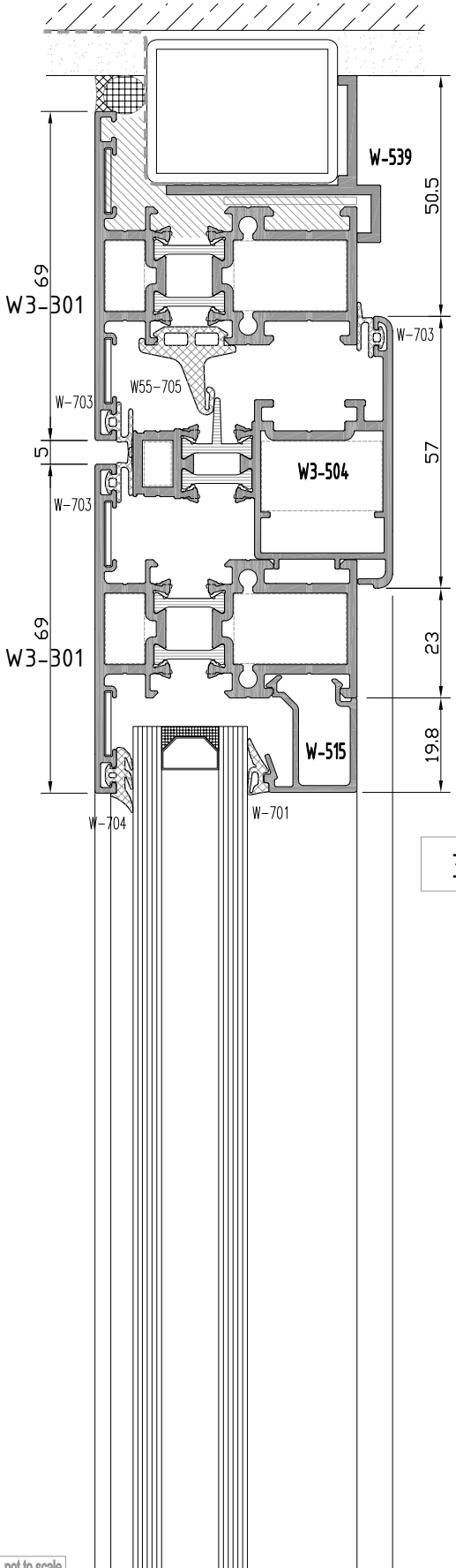
**W3**  
**W 55-2T YALITIMLI SERİ PROFİLLERİ**  
W55-2T INSULATED SERIES

**YAN BİTİM DETAYI**  
WALL CONNECTION DETAIL



**W3**  
**W 55-2T YALITIMLI SERİ PROFİLLERİ**  
W55-2T INSULATED SERIES

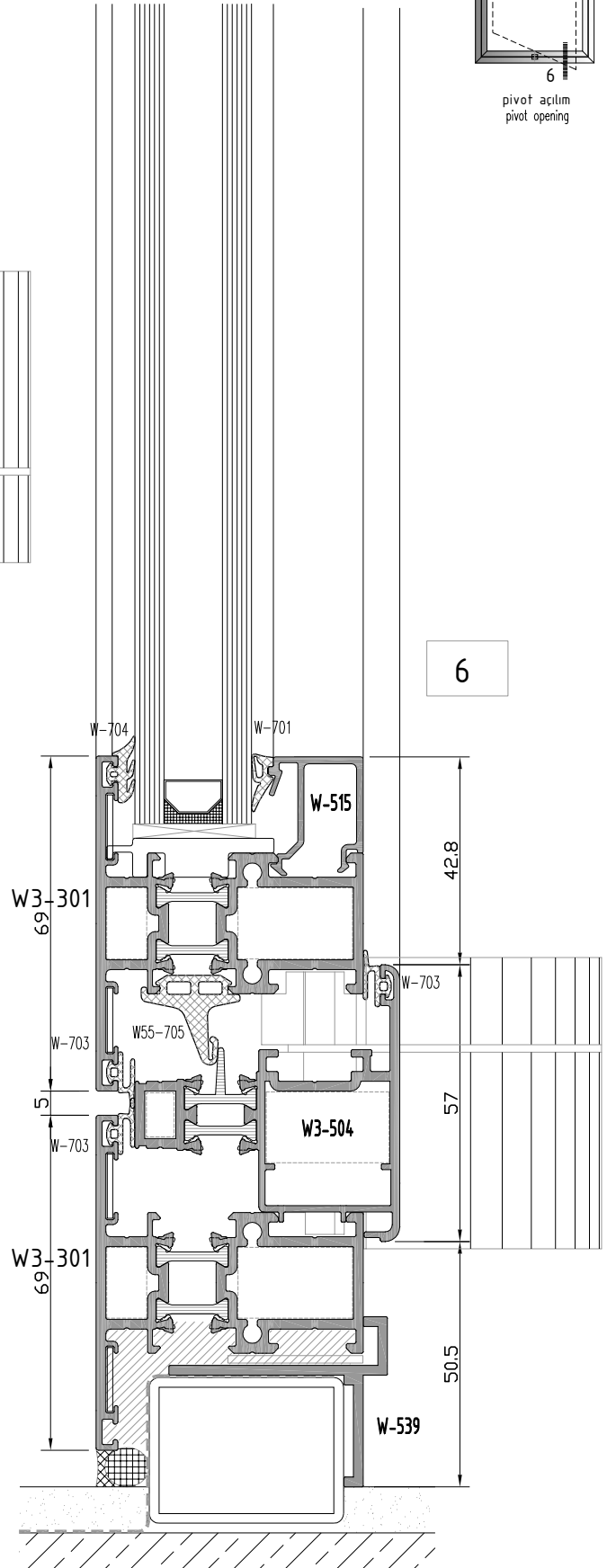
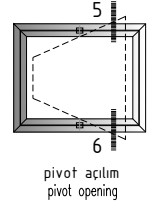
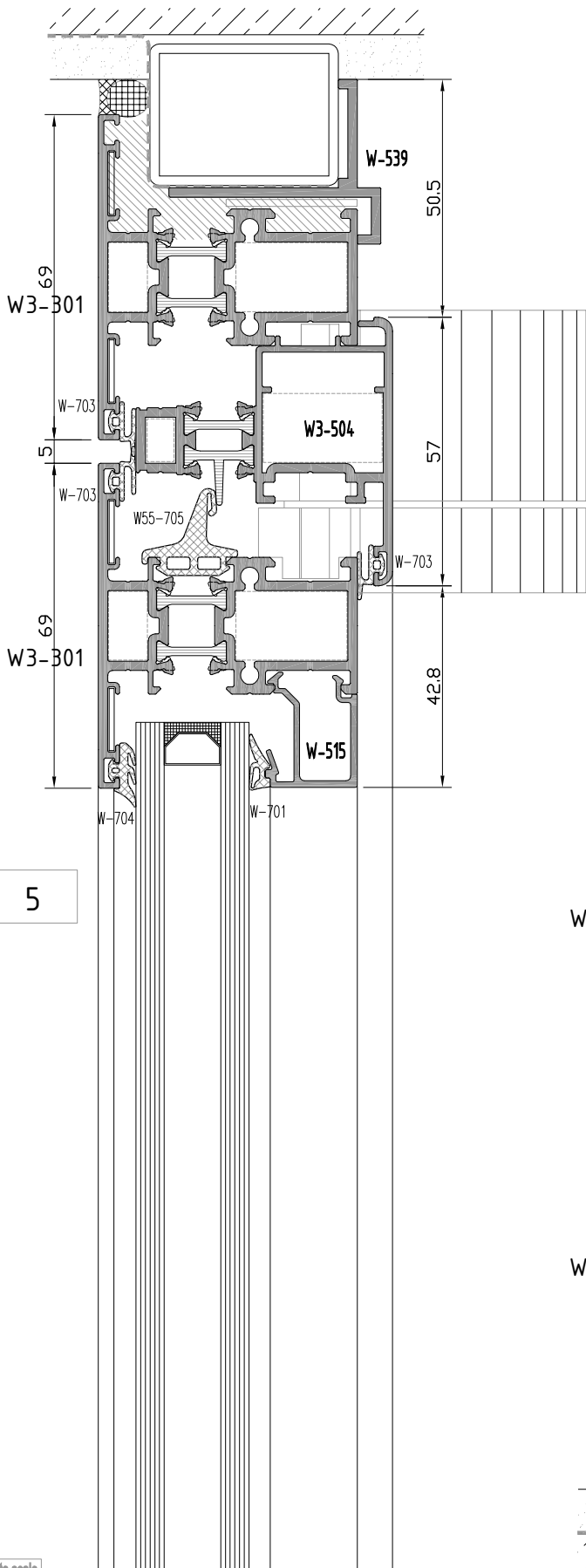
**ÜST-ALT BİTİM DETAYI**  
TOP EDGE-BOTTOM EDGE DETAIL



not to scale

**W3**  
**W 55-2T YALITIMLI SERİ PROFİLLERİ**  
W55-2T INSULATED SERIES

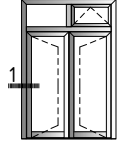
**ÜST-ALT BİTİM DETAYI**  
TOP EDGE-BOTTOM EDGE DETAIL



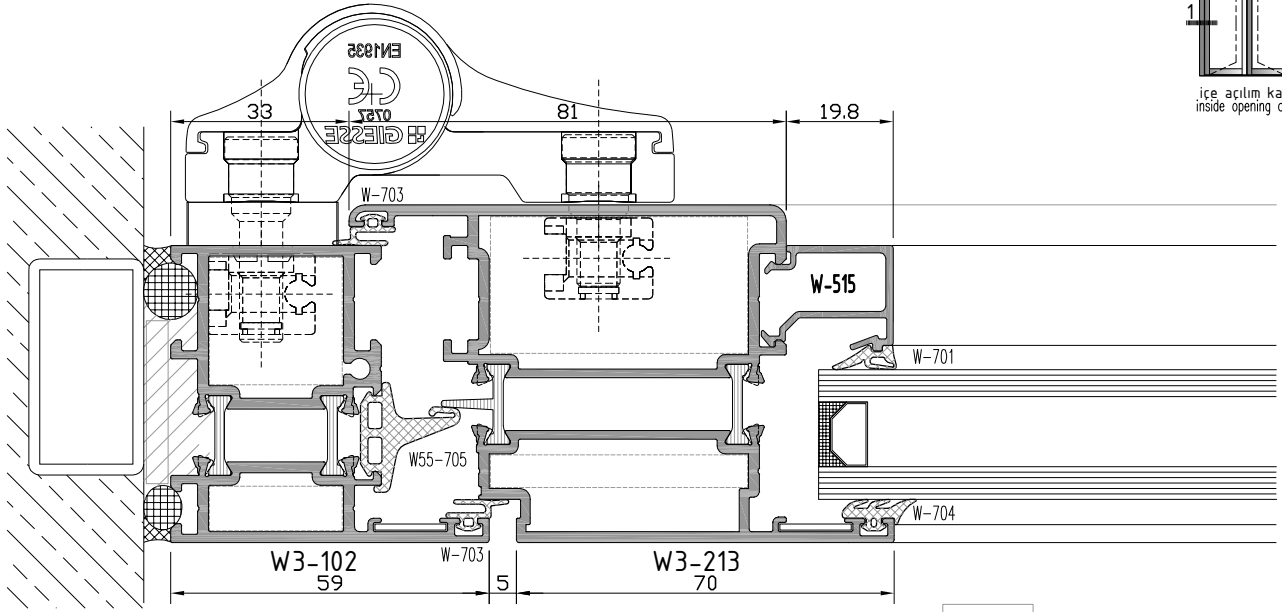
not to scale

**W3**  
**W 55-2T YALITIMLI SERİ PROFİLLERİ**  
W55-2T INSULATED SERIES

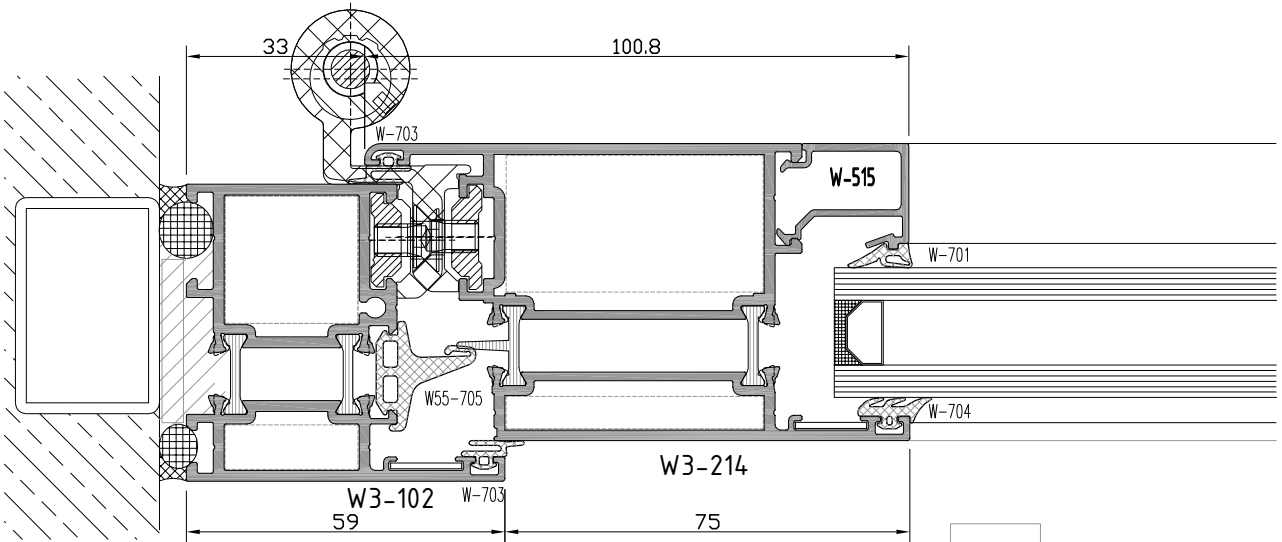
**YAN BİTİM DETAYI**  
WALL CONNECTION DETAIL



1  
içe açılım kapı  
inside opening door



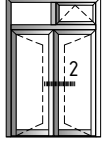
1a



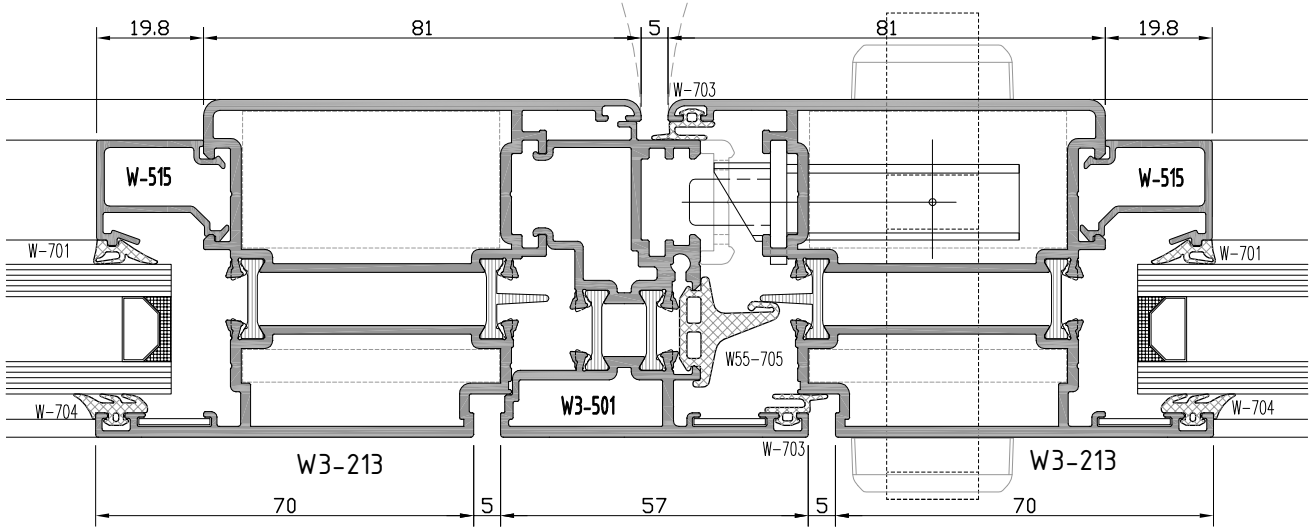
1b

**W3**  
**W 55-2T YALITIMLI SERİ PROFİLLERİ**  
W55-2T INSULATED SERIES

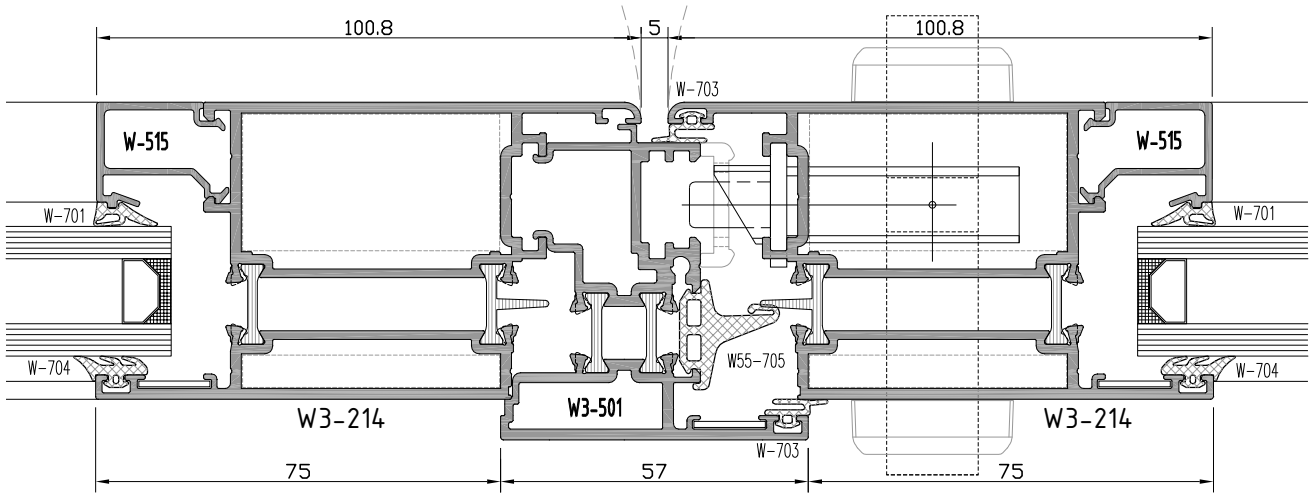
**KANAT BİRLEŞİM DETAYI**  
CASEMENT JOINING DETAIL



içe açılım kapı  
inside opening door



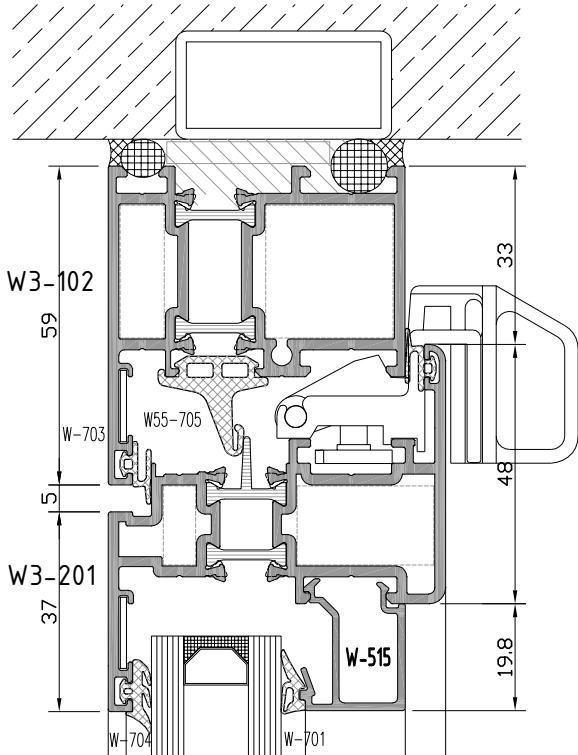
2a



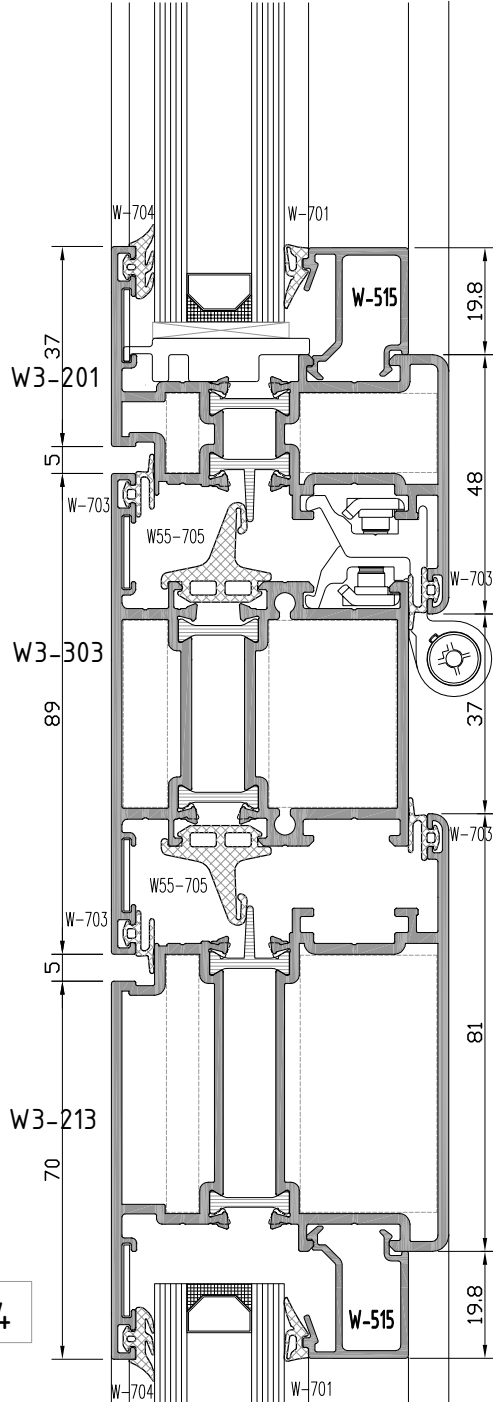
2b

**W3**  
**W 55-2T YALITIMLI SERİ PROFİLLERİ**  
W55-2T INSULATED SERIES

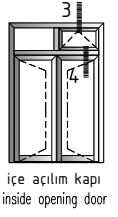
**ÜST BİTİM-ORTA KAYIT DETAYI**  
TOP EDGE-MULLION DETAIL



3

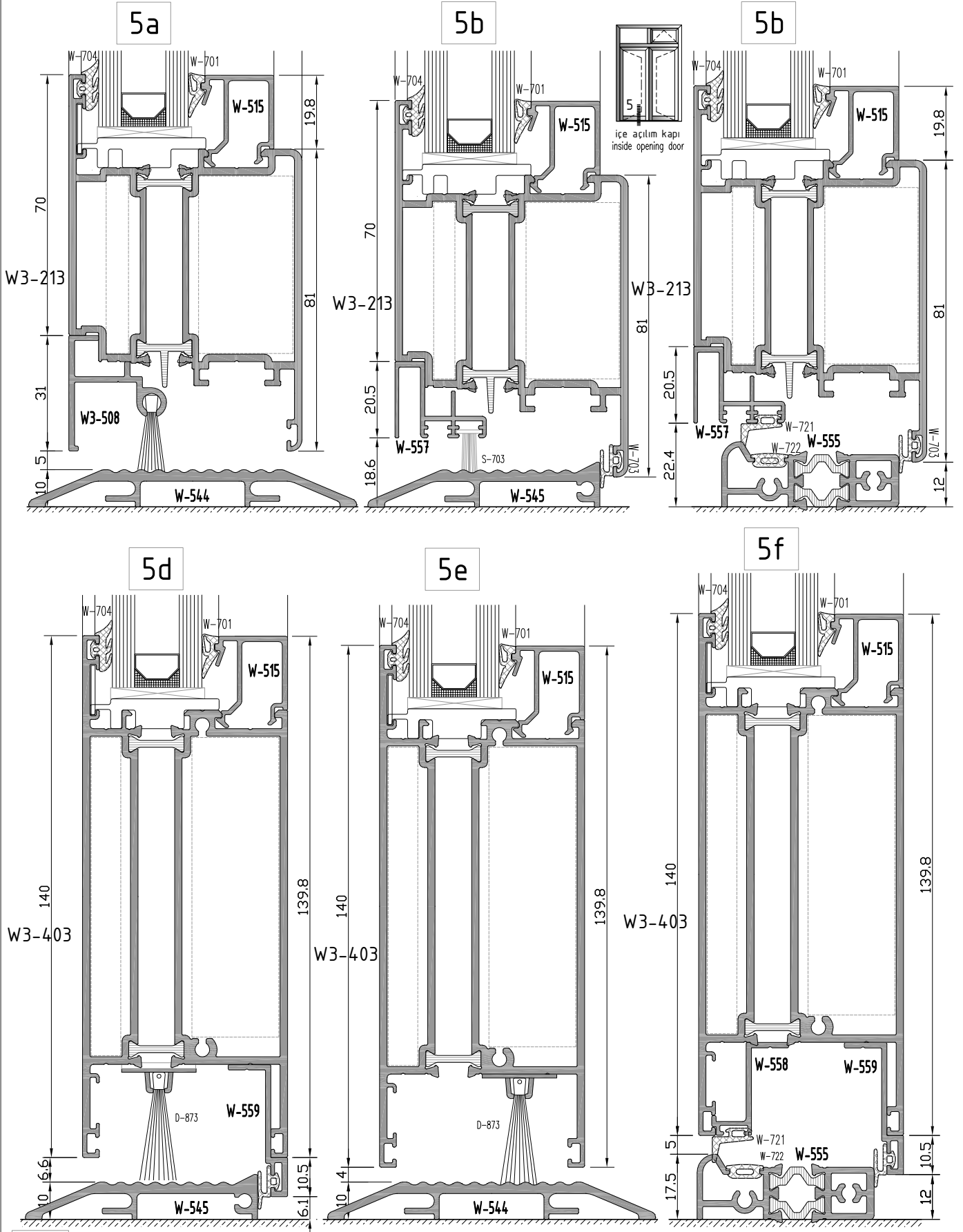


4



**W3**  
**W 55-2T YALITIMLI SERİ PROFİLLERİ**  
 W55-2T INSULATED SERIES

**ALT BİTİM DETAYI**  
 BOTTOM EDGE - DETAIL

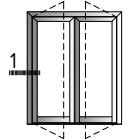


not to scale

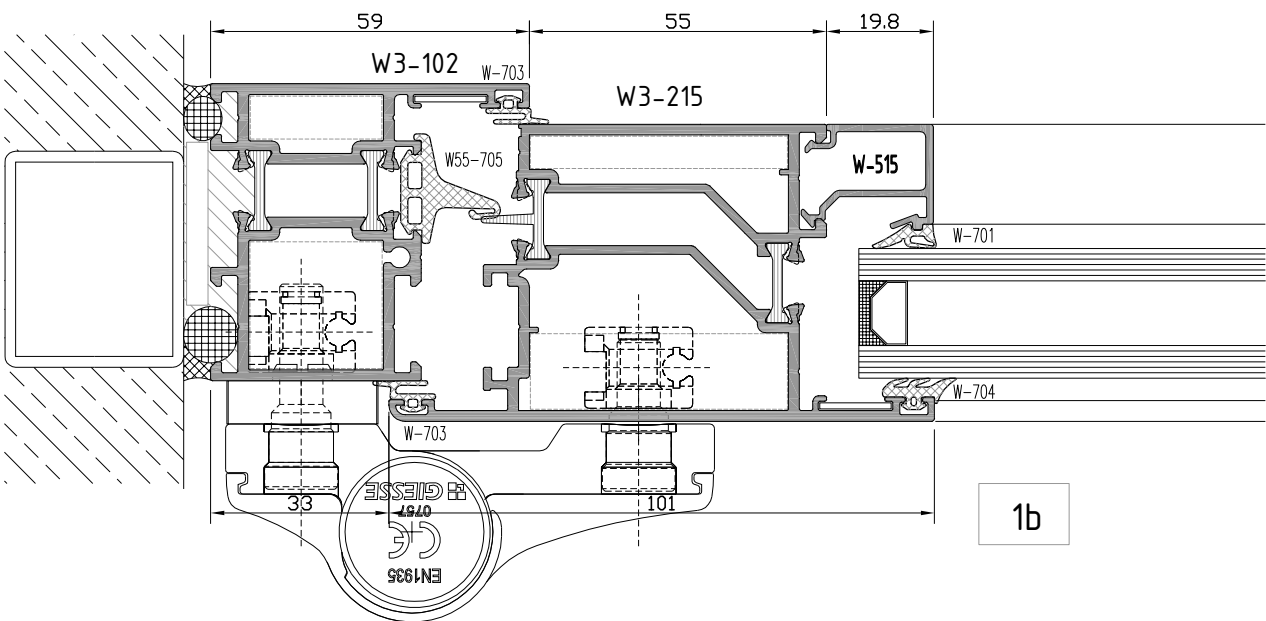
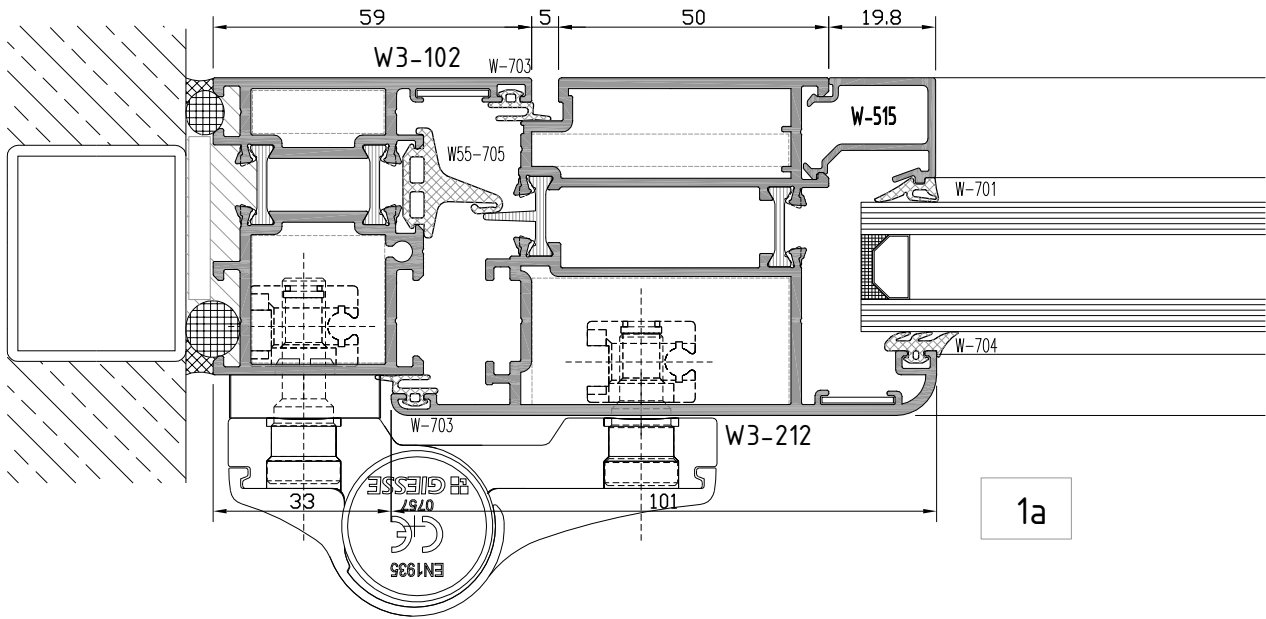


**W3**  
**W 55-2T YALITIMLI SERİ PROFİLLERİ**  
W55-2T INSULATED SERIES

**YAN BİTİM DETAYI**  
WALL CONNECTION DETAIL

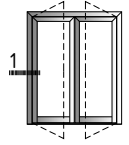


diş a açılım kapı  
outside opening door

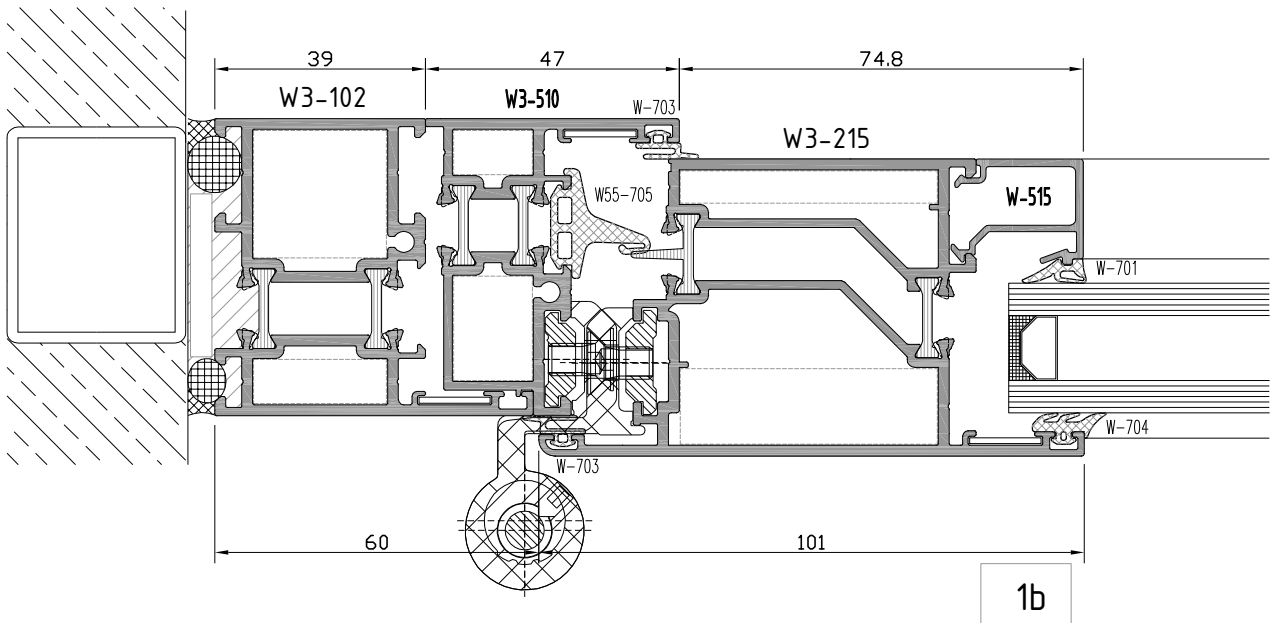
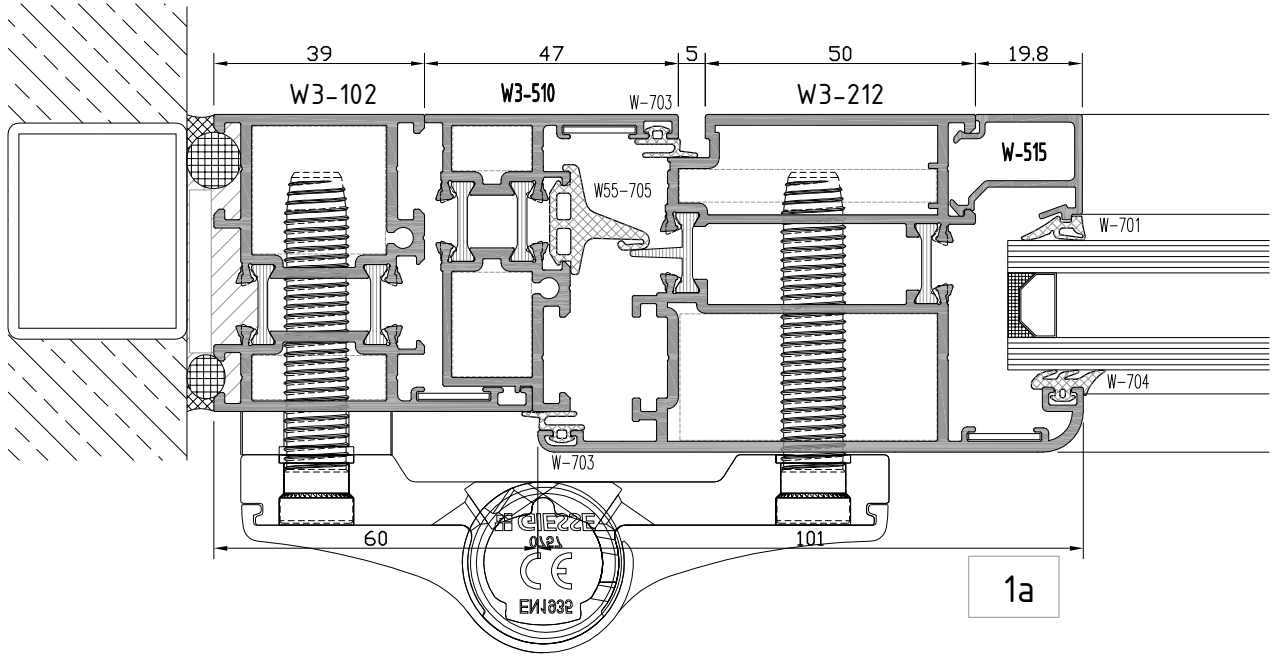


**W3**  
**W 55-2T YALITIMLI SERİ PROFİLLERİ**  
W55-2T INSULATED SERIES

**YAN BİTİM DETAYI**  
WALL CONNECTION DETAIL

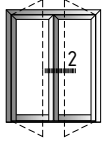


dışa açılım kapı  
outside opening door

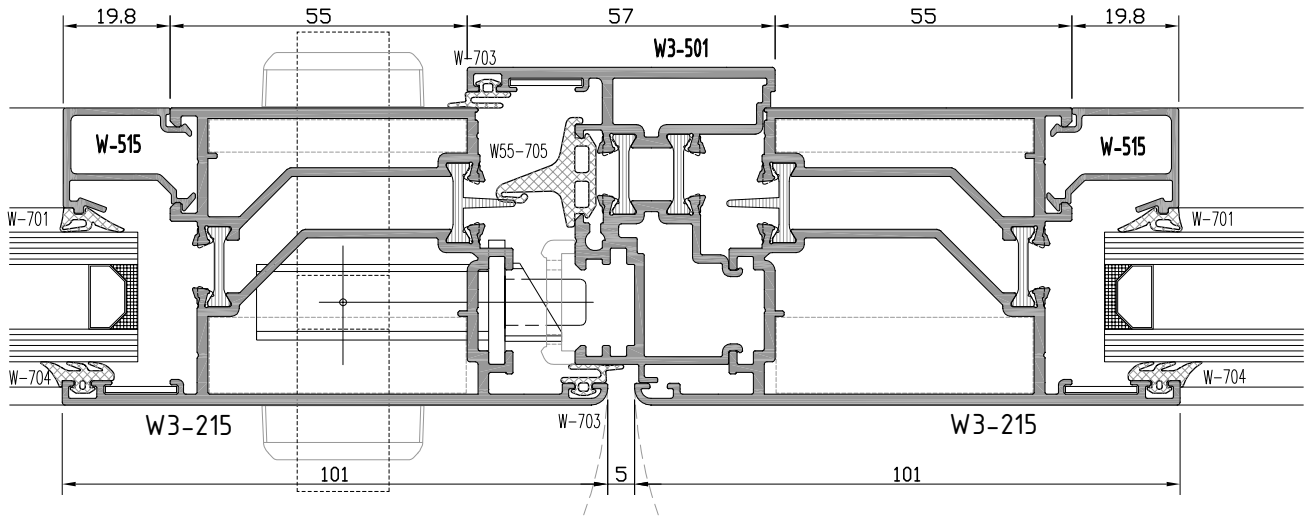
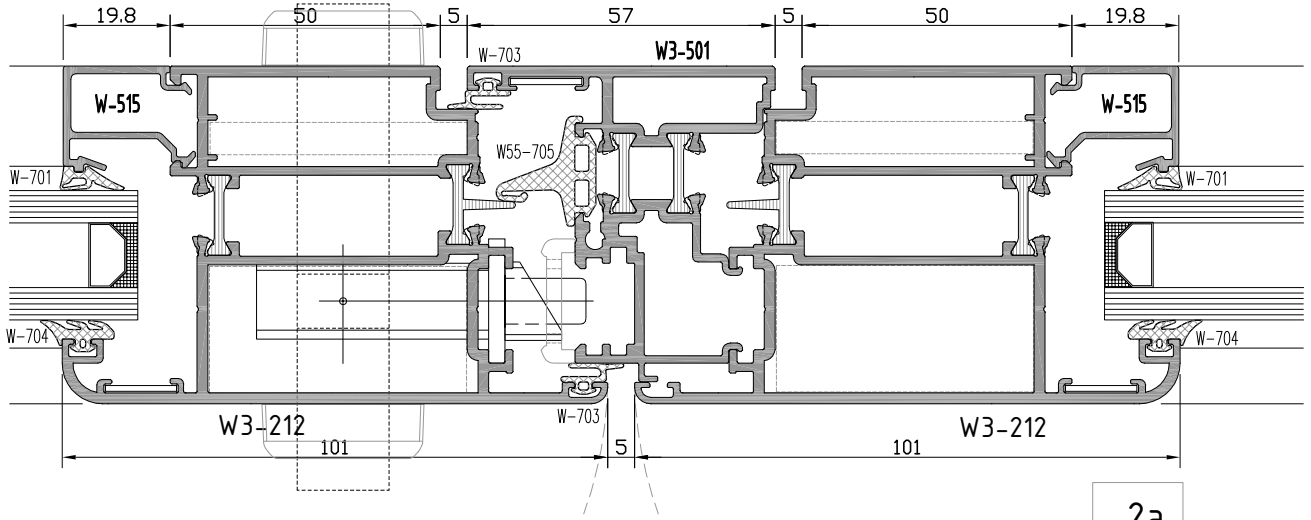


**W3**  
**W 55-2T YALITIMLI SERİ PROFİLLERİ**  
W55-2T INSULATED SERIES

**KANAT BİRLEŞİM DETAYI**  
CASEMENT JOINING DETAIL

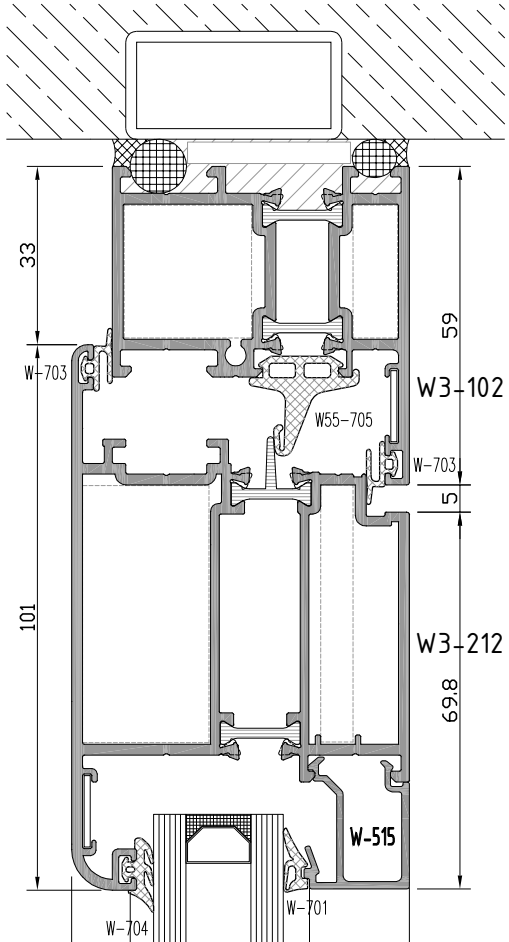


dışa açılım kapı  
outside opening door

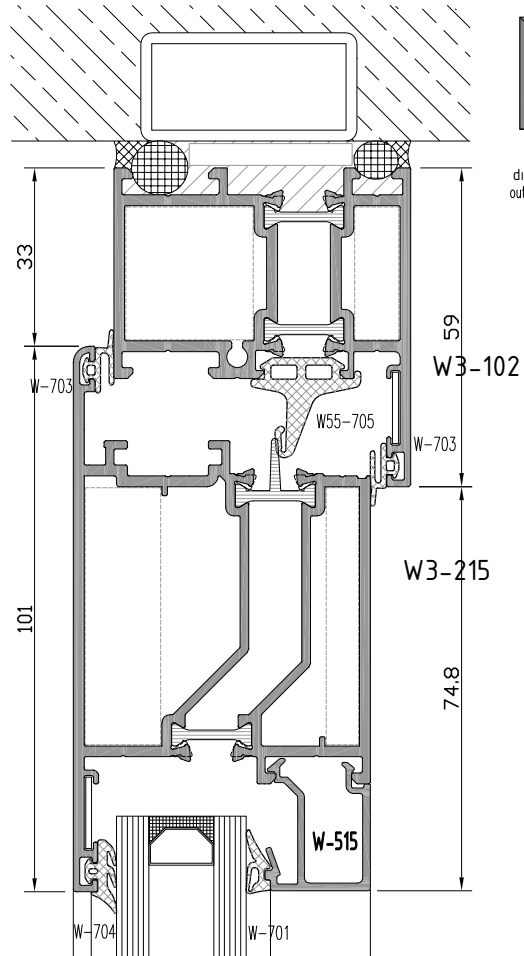


**W3**  
**W 55-2T YALITIMLI SERİ PROFİLLERİ**  
W55-2T INSULATED SERIES

**ÜST BİTİM DETAYI**  
TOP EDGE - DETAIL



3a

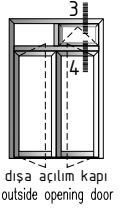
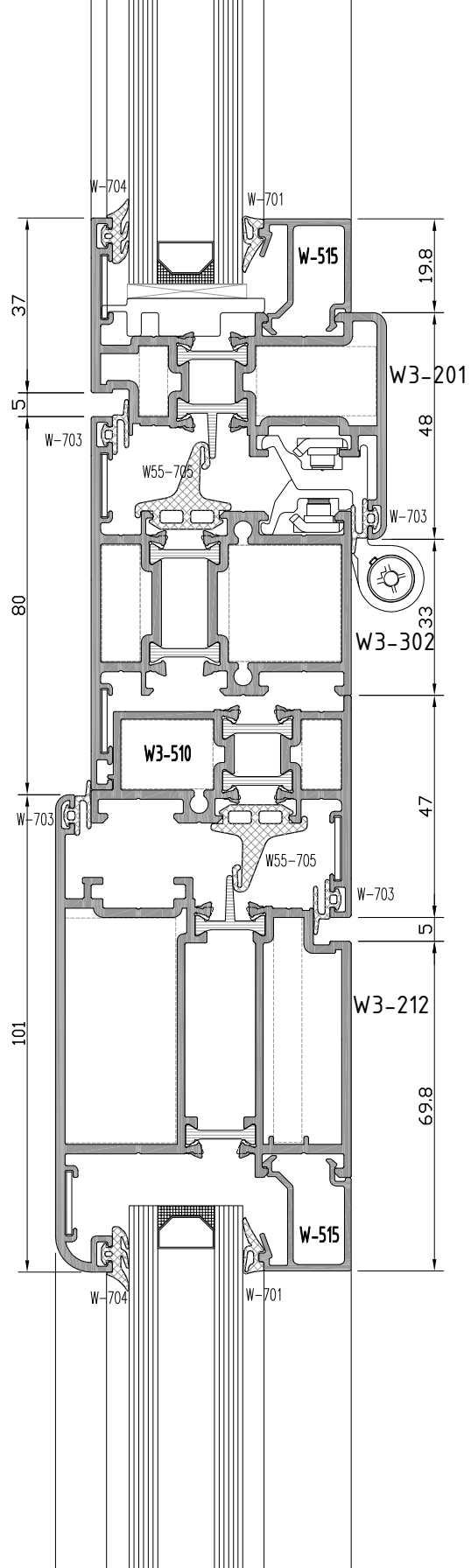
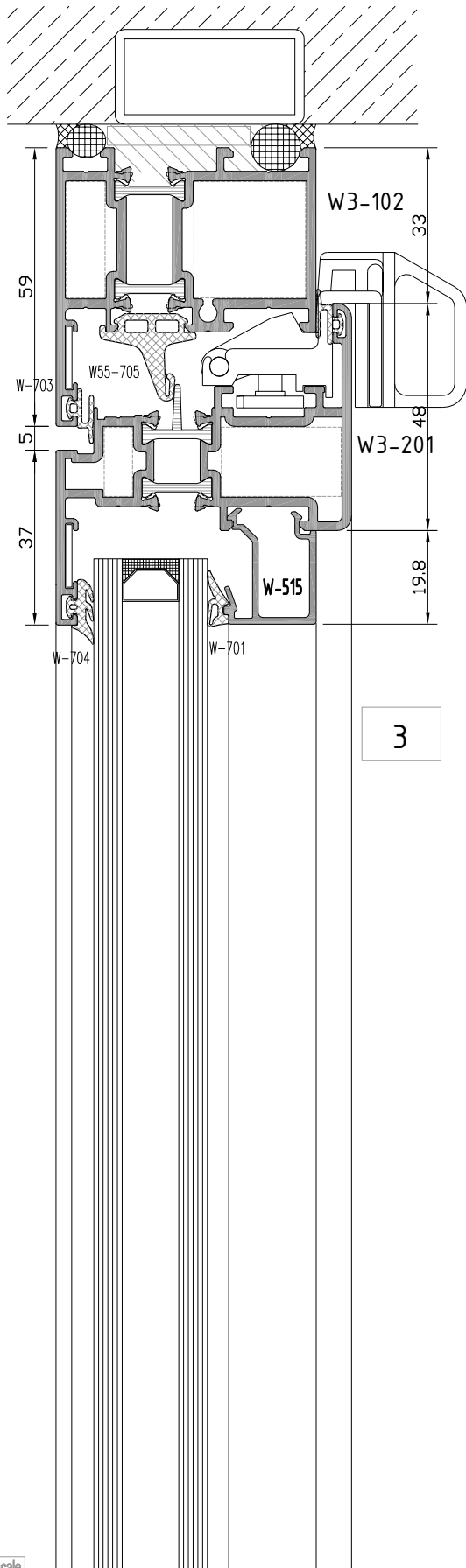


3b

not to scale

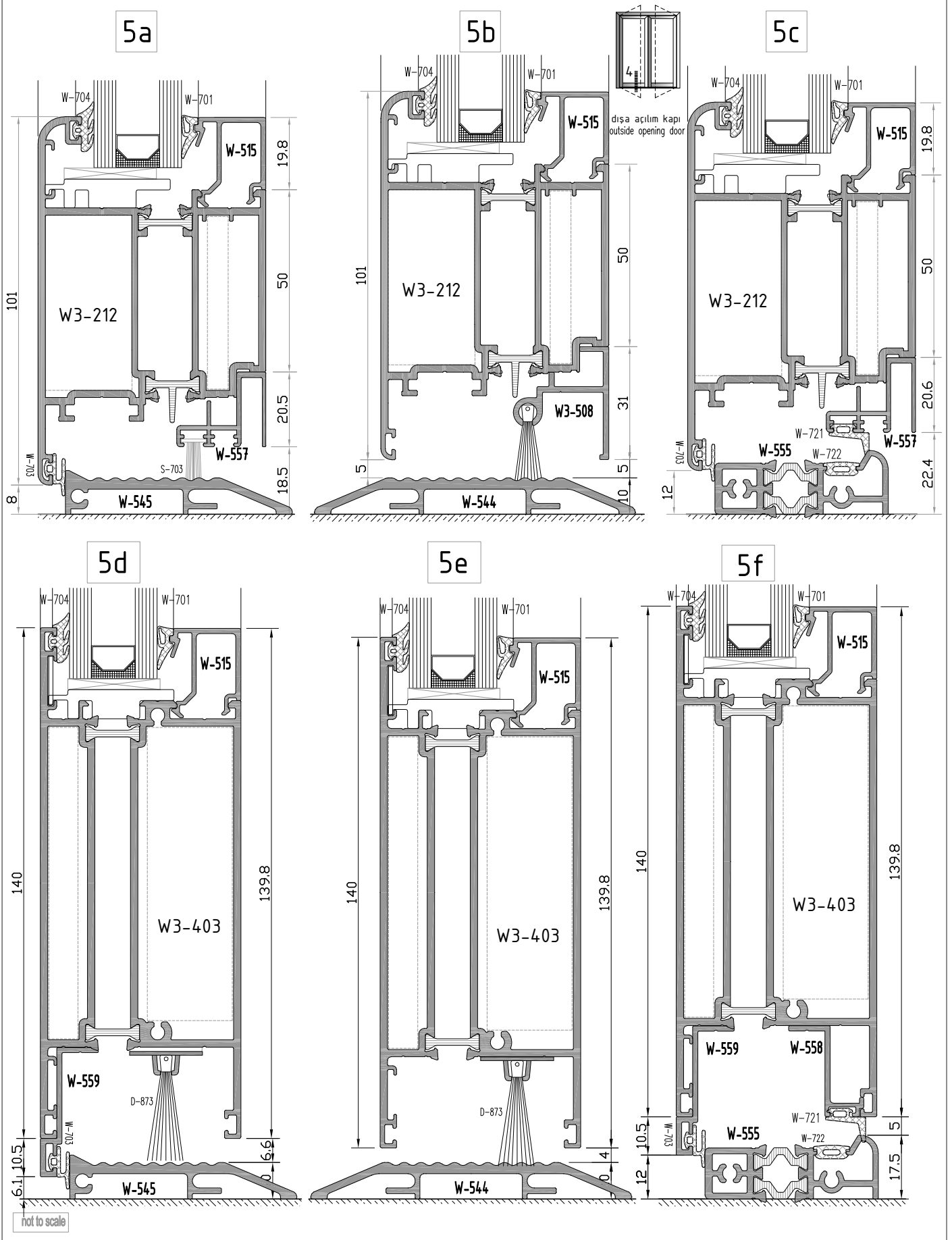
**W3**  
**W 55-2T YALITIMLI SERİ PROFİLLERİ**  
W55-2T INSULATED SERIES

**ÜST BİTİM-ORTA KAYIT DETAYI**  
TOP EDGE-MULLION DETAIL



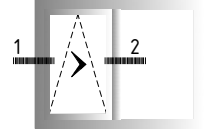
**W3**  
**W 55-2T YALITIMLI SERİ PROFİLLERİ**  
 W55-2T INSULATED SERIES

**ALT BİTİM DETAYI**  
 BOTTOM EDGE - DETAIL

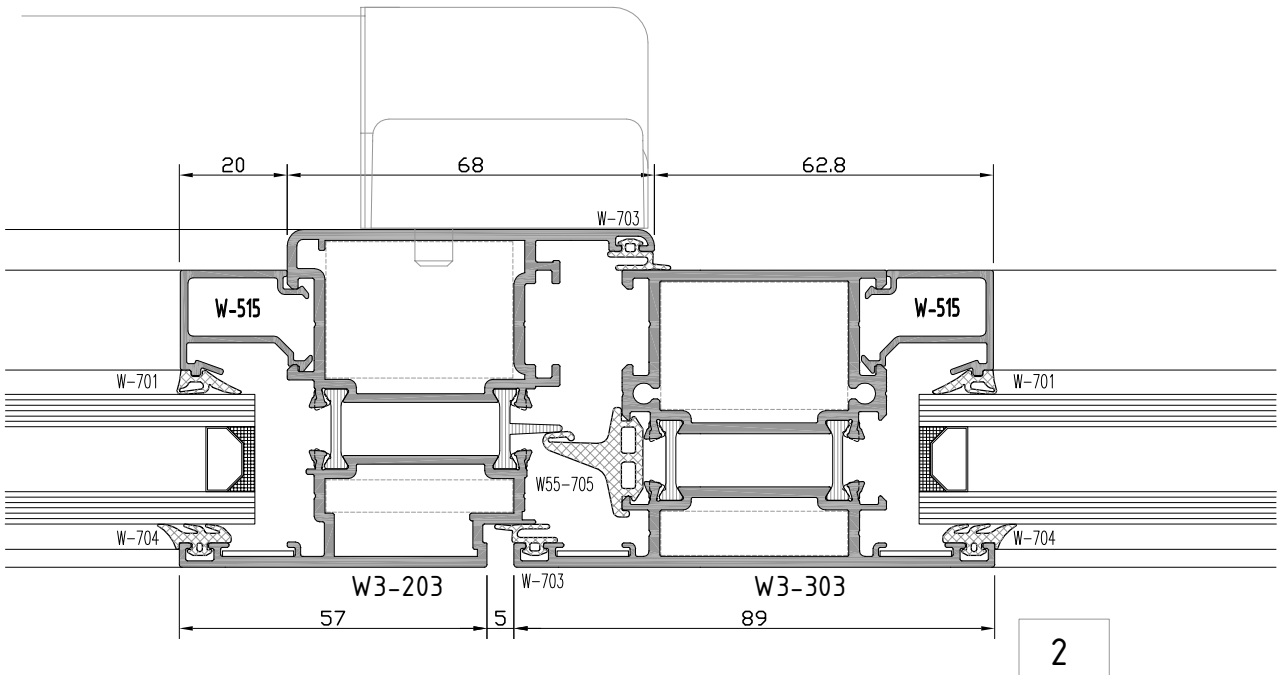
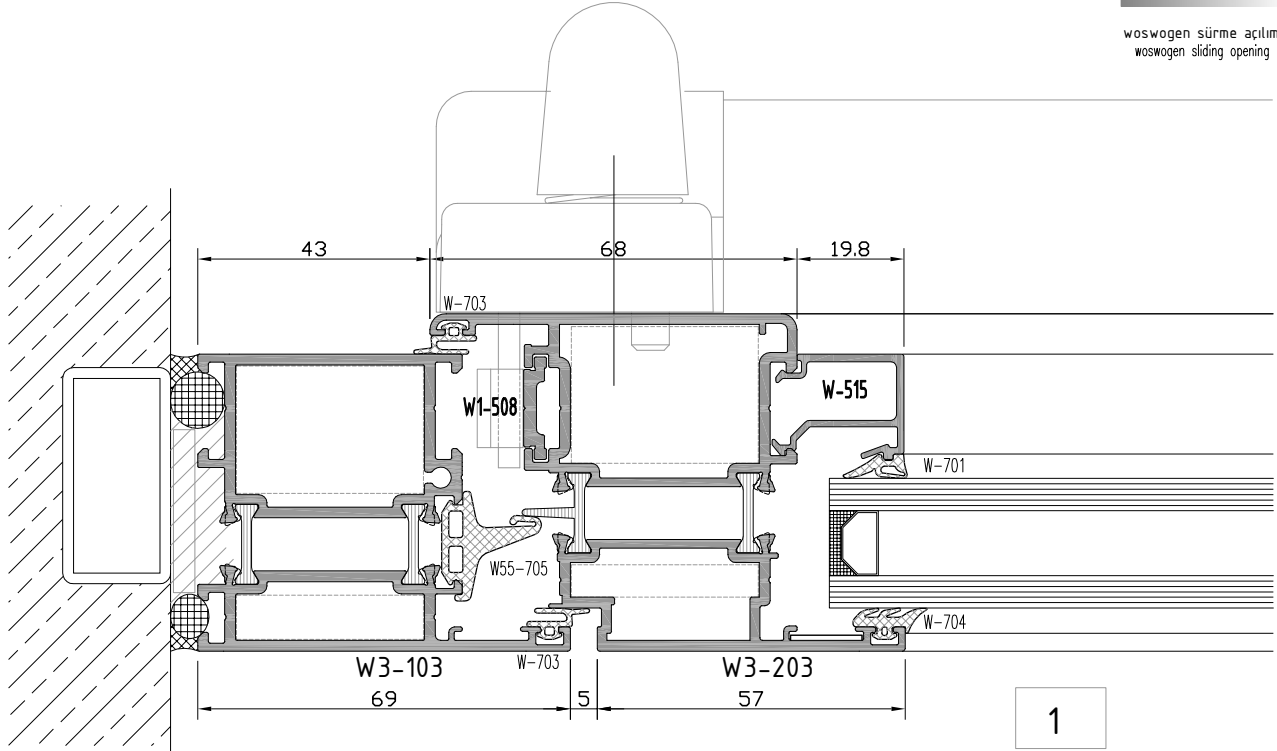


**W3**  
**W 55-2T YALITIMLI SERİ PROFİLLERİ**  
W55-2T INSULATED SERIES

**YAN BİTİM-ORTA KAYIT DETAYI**  
WALL CONNECTION-MULLION DETAIL



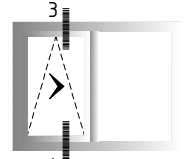
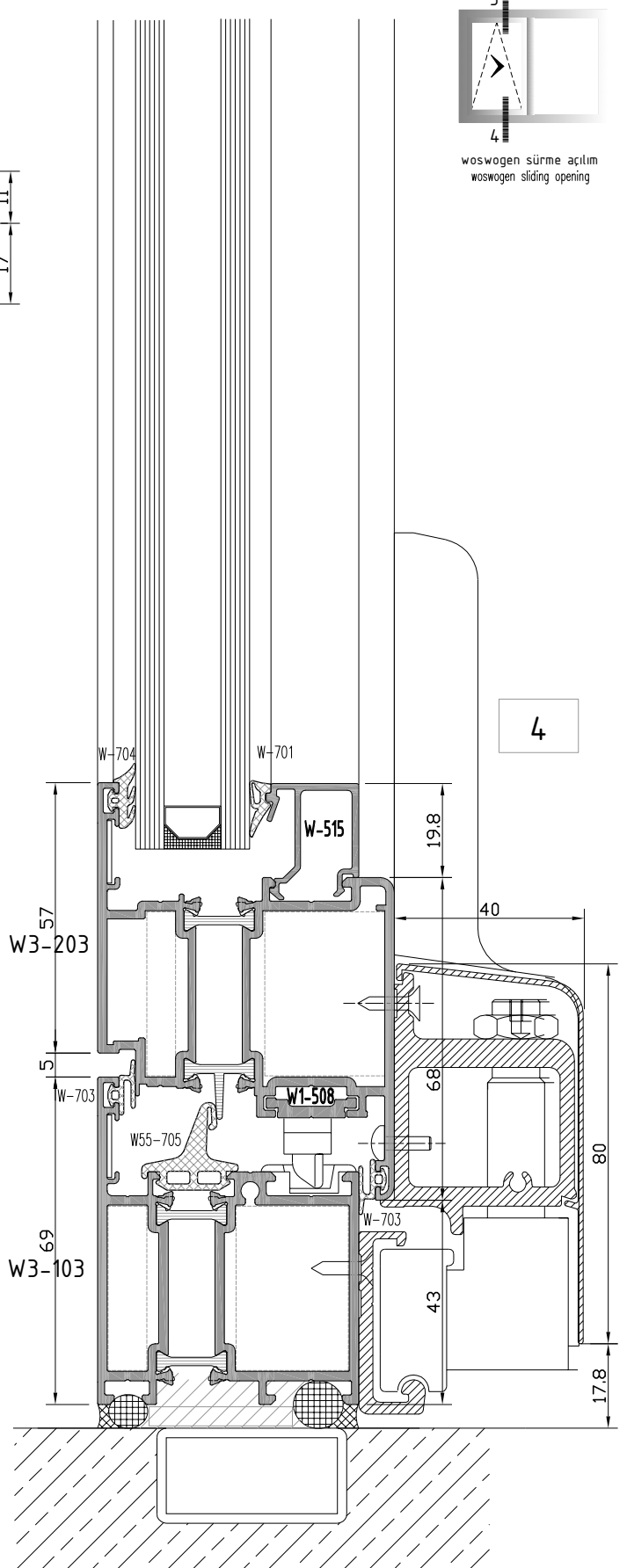
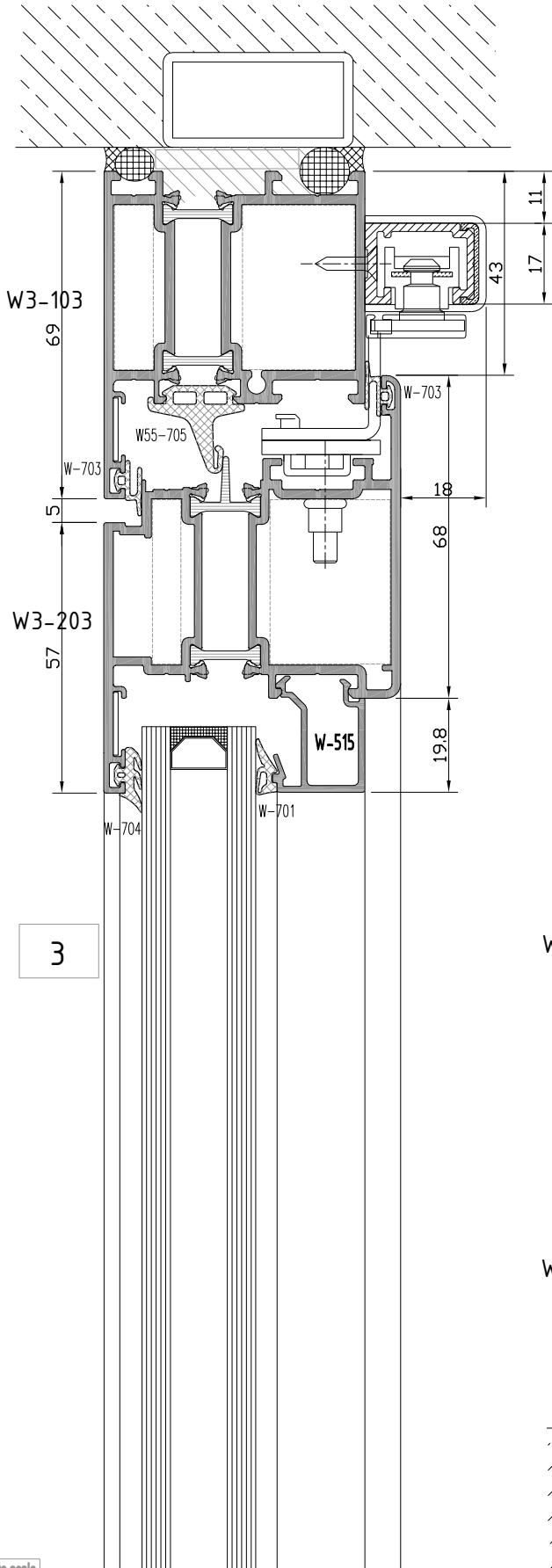
woswogen sürme açılım  
woswogen sliding opening



not to scale

**W3**  
**W 55-2T YALITIMLI SERİ PROFİLLERİ**  
W55-2T INSULATED SERIES

**ÜST-ALT BİTİM DETAYI**  
TOP EDGE-BOTTOM EDGE DETAIL



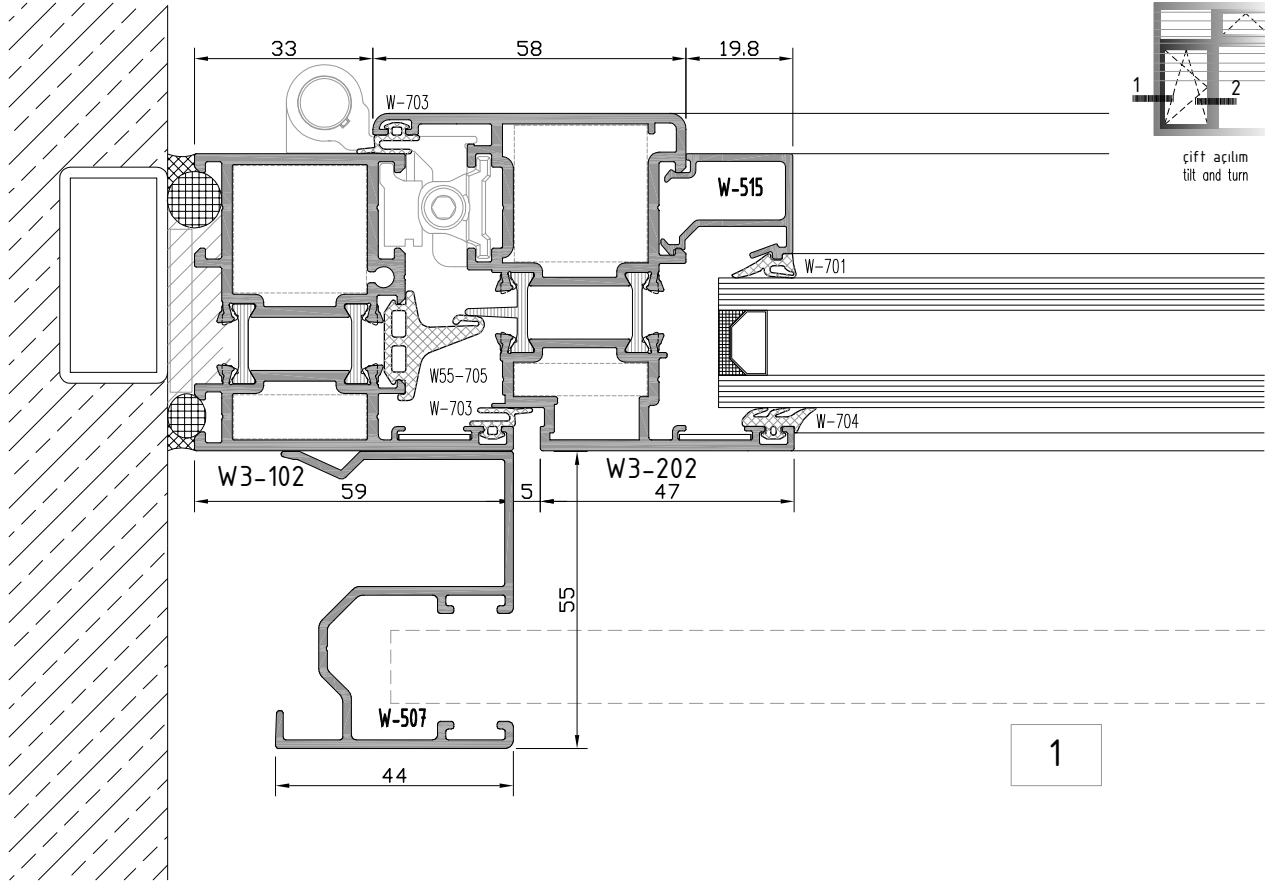
woswogen sürme açılım  
woswogen sliding opening

not to scale

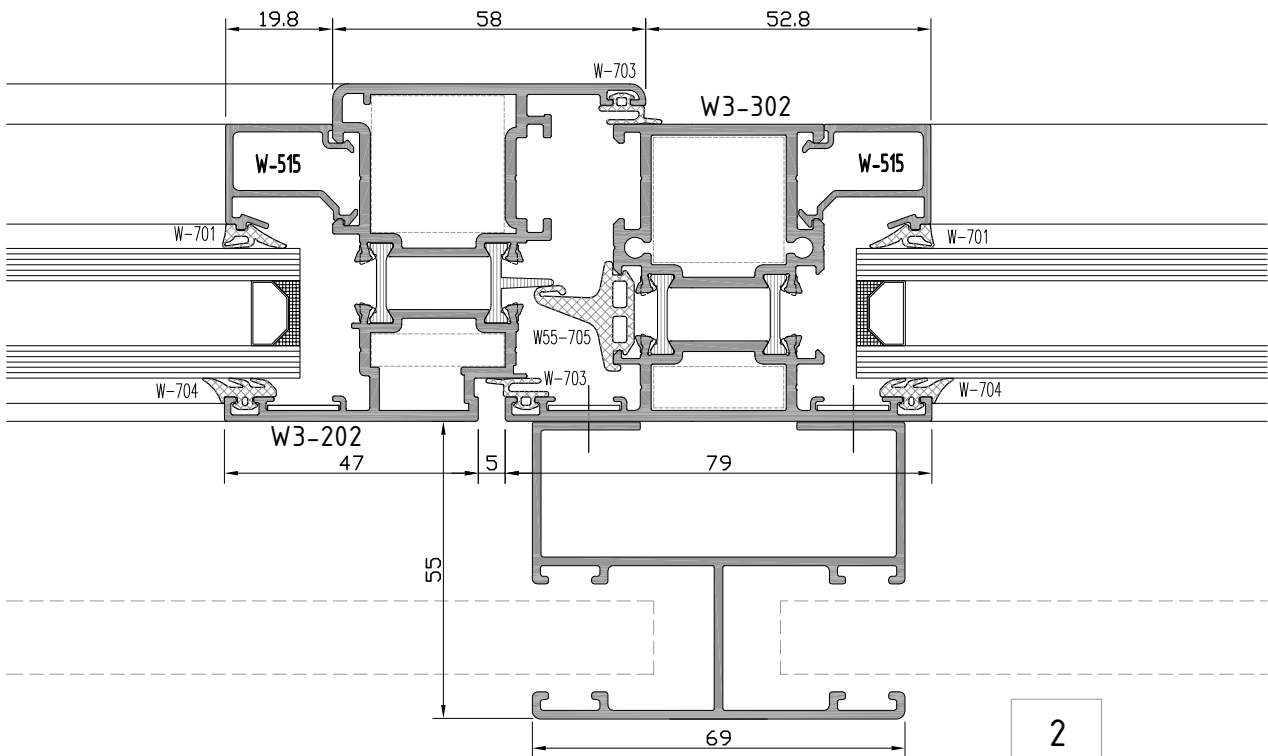


**W3**  
**W 55-2T YALITIMLI SERİ PROFİLLERİ**  
W55-2T INSULATED SERIES

**YAN BİTİM-ORTA KAYIT DETAYI**  
WALL CONNECTION-MULLION DETAIL



1

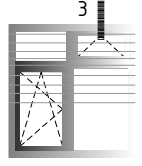


2

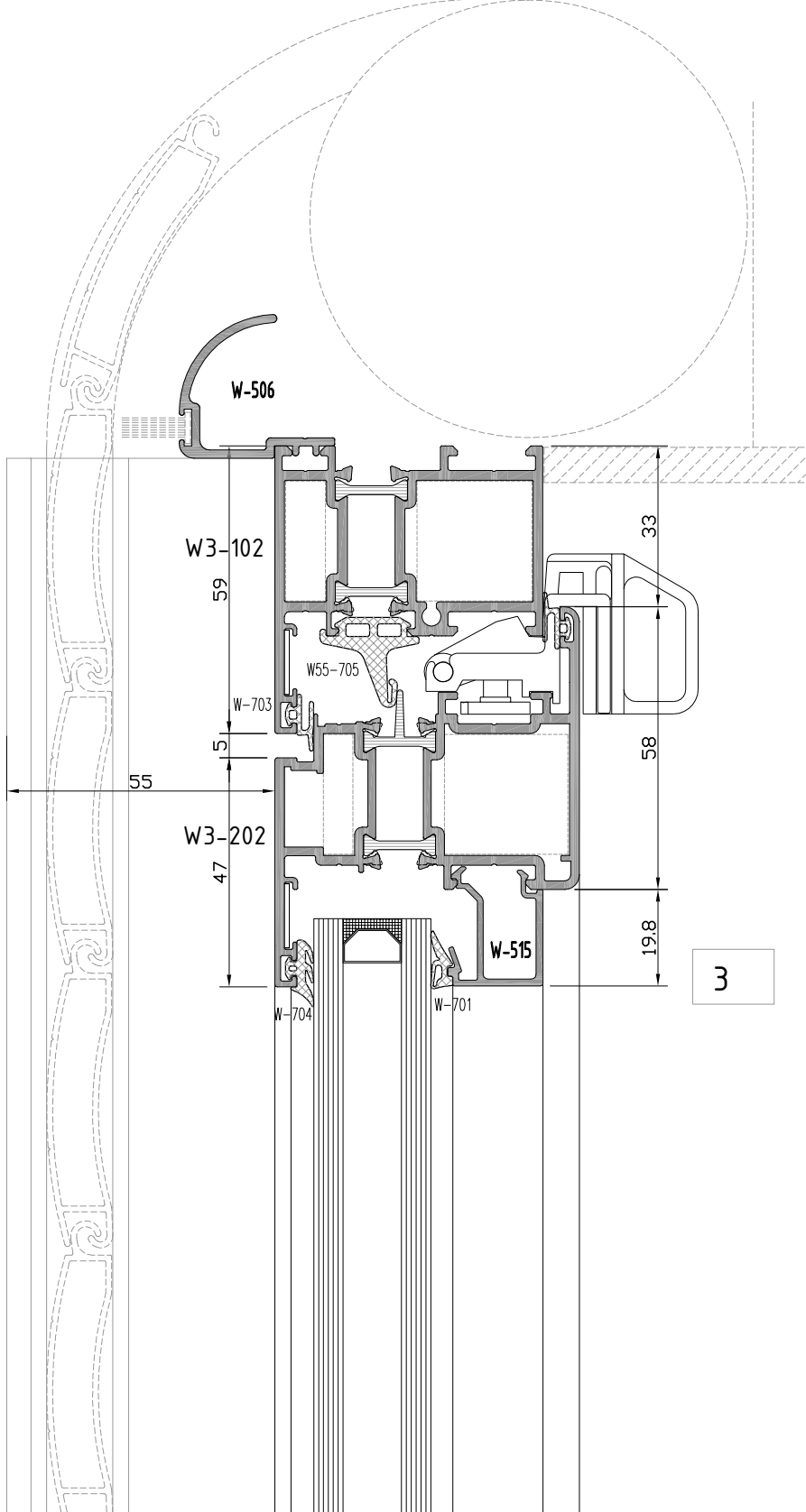
W3

W 55/2155 AL21M ASİRLİ PROFİLERİ  
W55-21 INSULATED SERIES

ÜST BİTİM DETAYI  
TOP EDGE - DETAIL



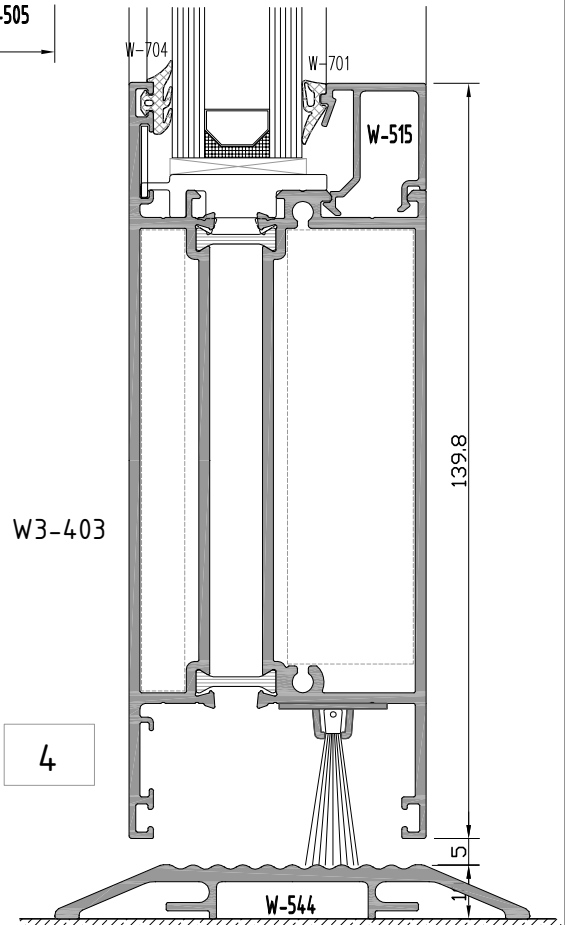
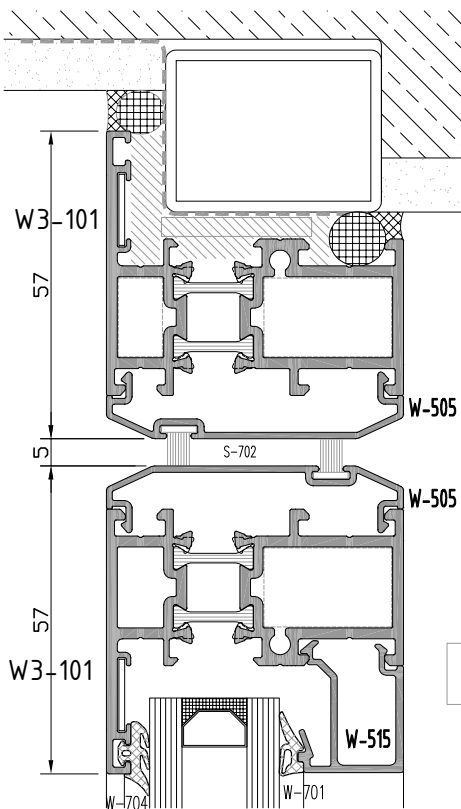
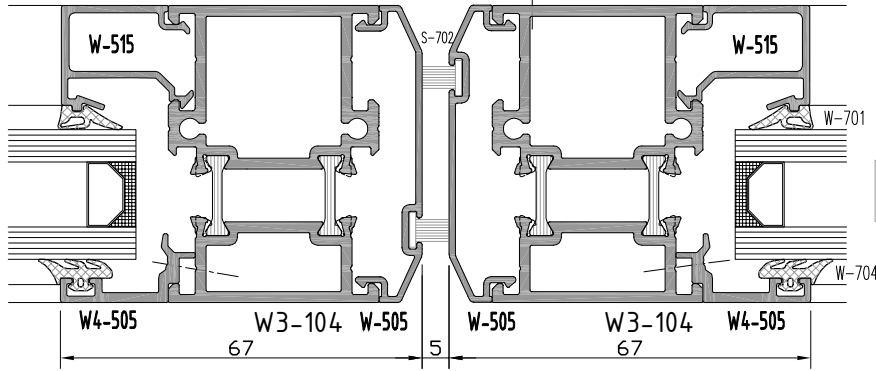
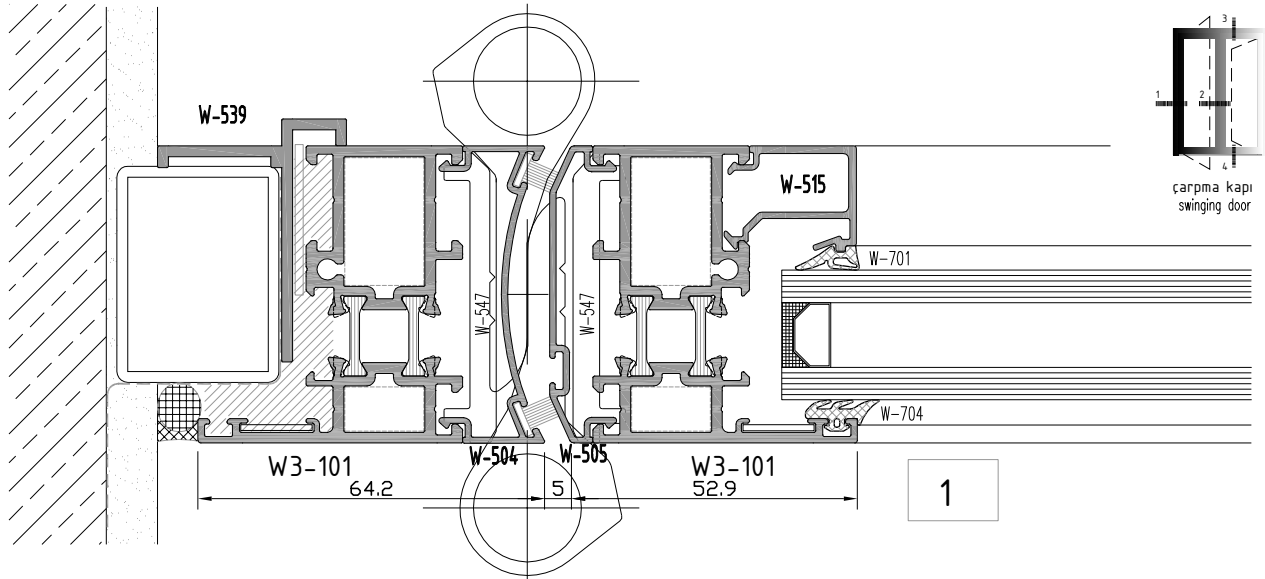
çift açılım  
tilt and turn



not to scale

**W3**  
**W 55-2T YALITIMLI SERİ PROFİLLERİ**  
 W55-2T INSULATED SERIES

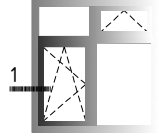
**YAN BİTİM-KANAT BİRLEŞİM DETAYI**  
 WALL CONNECTION-CASEMENT JOINING DETAIL



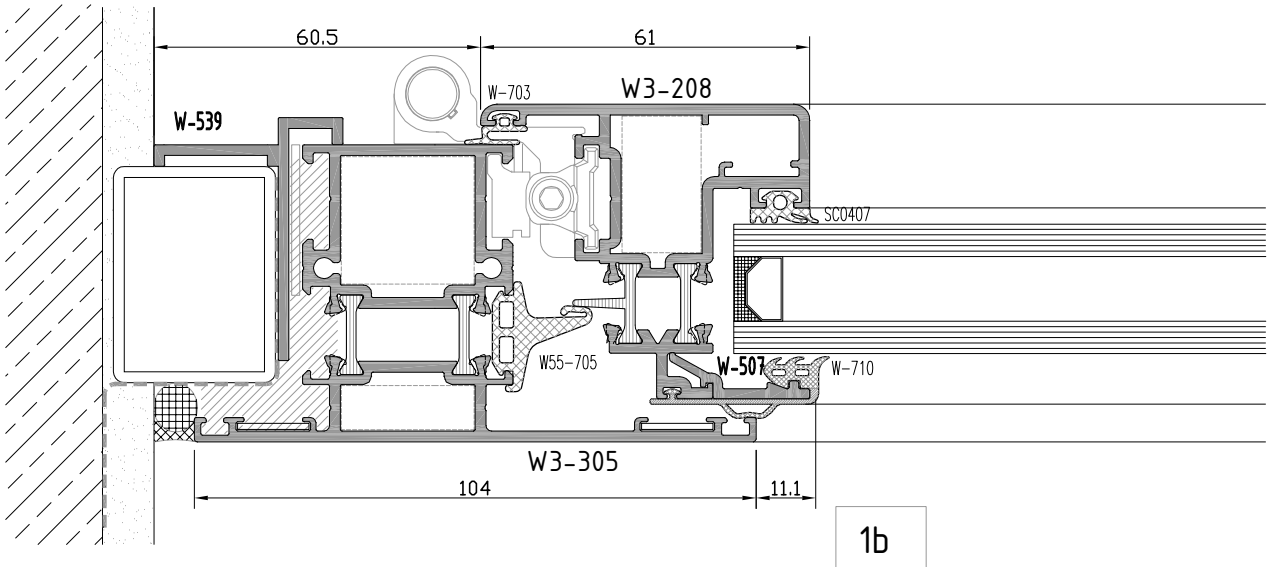
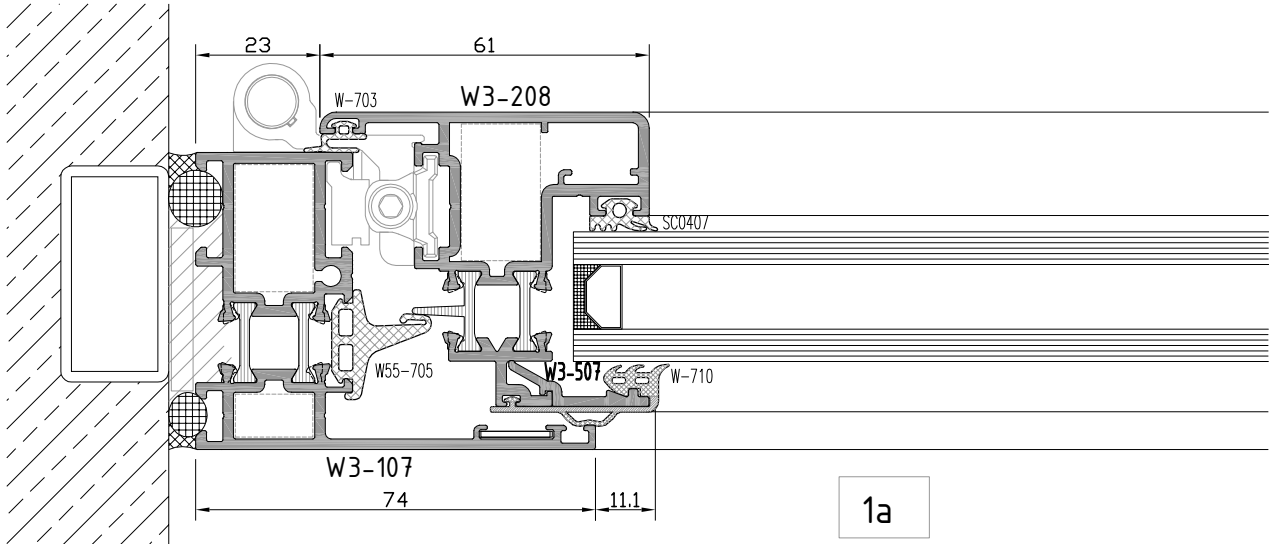
not to scale

**W3**  
**W 55-2T YALITIMLI SERİ PROFİLLERİ**  
W55-2T INSULATED SERIES

**YAN BİTİM DETAYI**  
WALL CONNECTION DETAIL

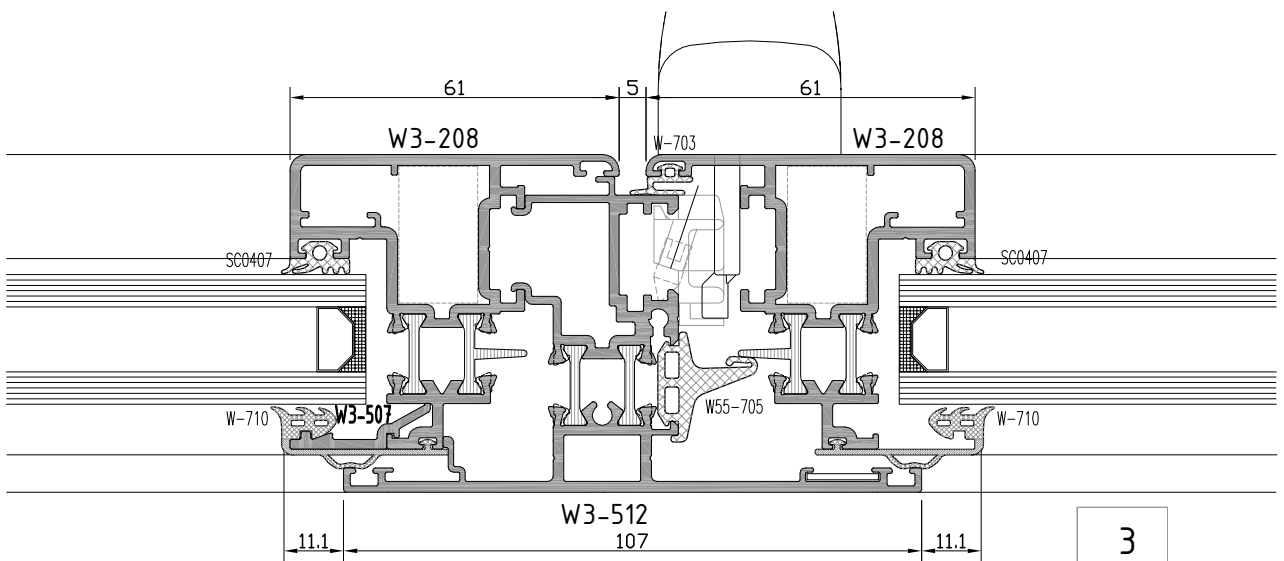
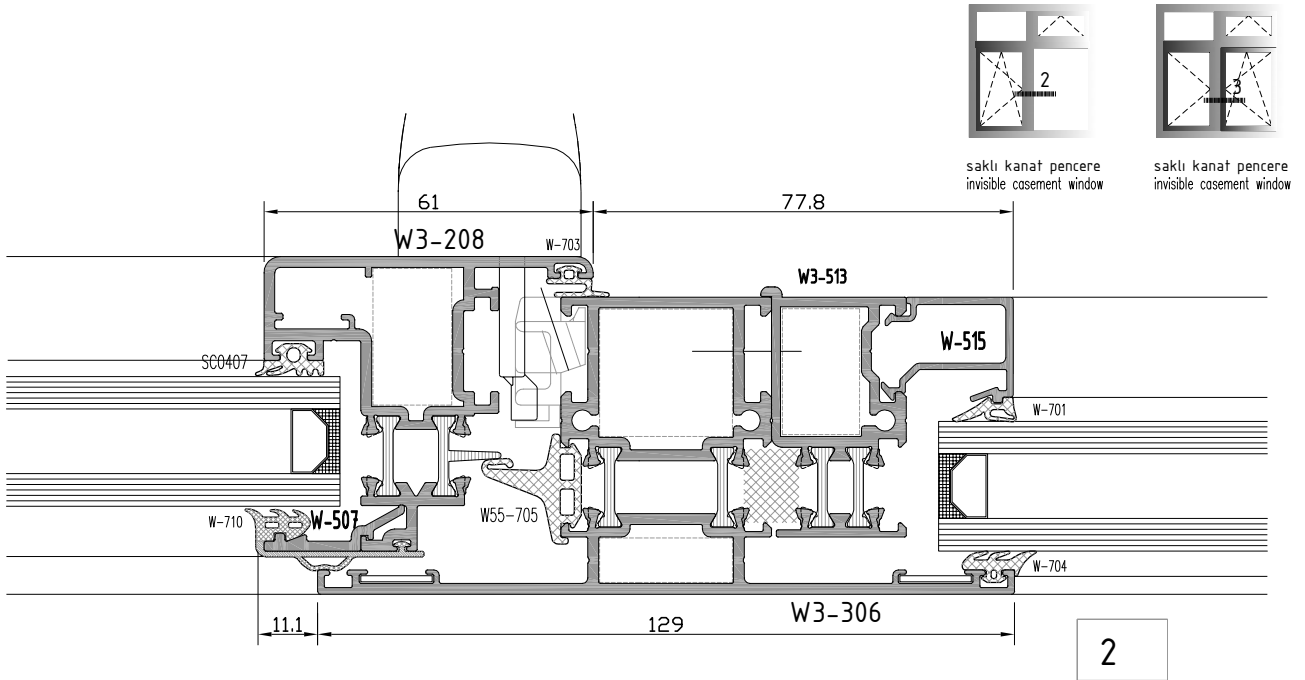


saklı kanat pencere  
invisible casement window



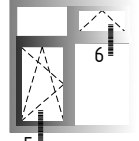
**W3**  
**W 55-2T YALITIMLI SERİ PROFİLLERİ**  
W55-2T INSULATED SERIES

**ORTA KAYIT DETAYI**  
MULLION DETAIL

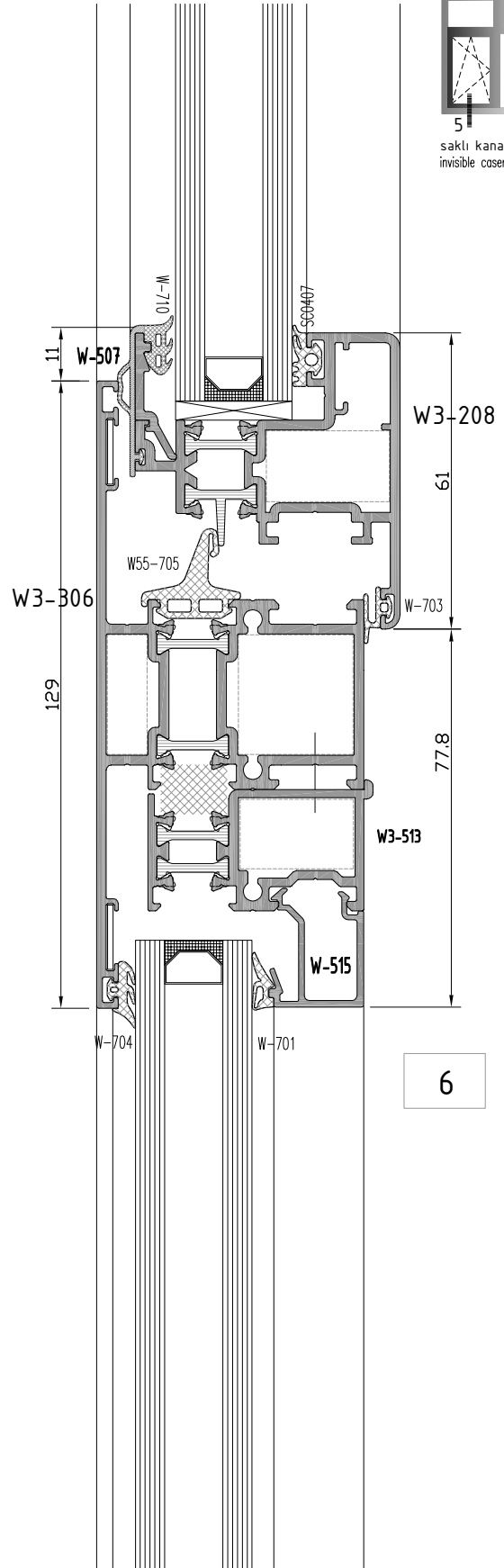
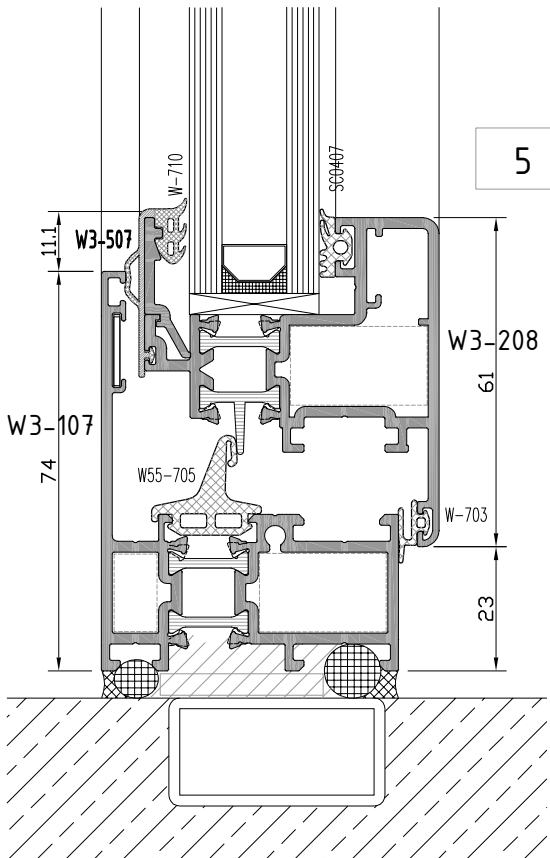


**W3**  
**W 55-2T YALITIMLI SERİ PROFİLLERİ**  
W55-2T INSULATED SERIES

**ALT BİTİM-ORTA KAYIT DETAYI**  
BOTTOM EDGE-MULLION DETAIL

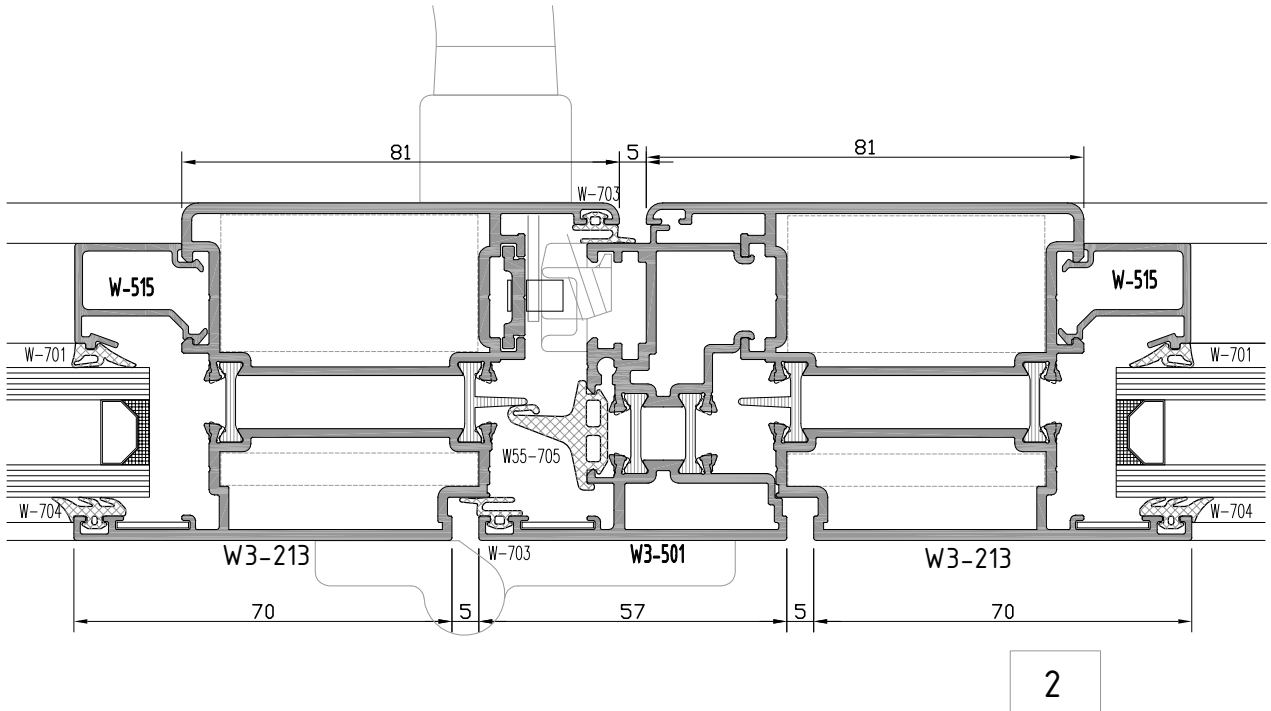
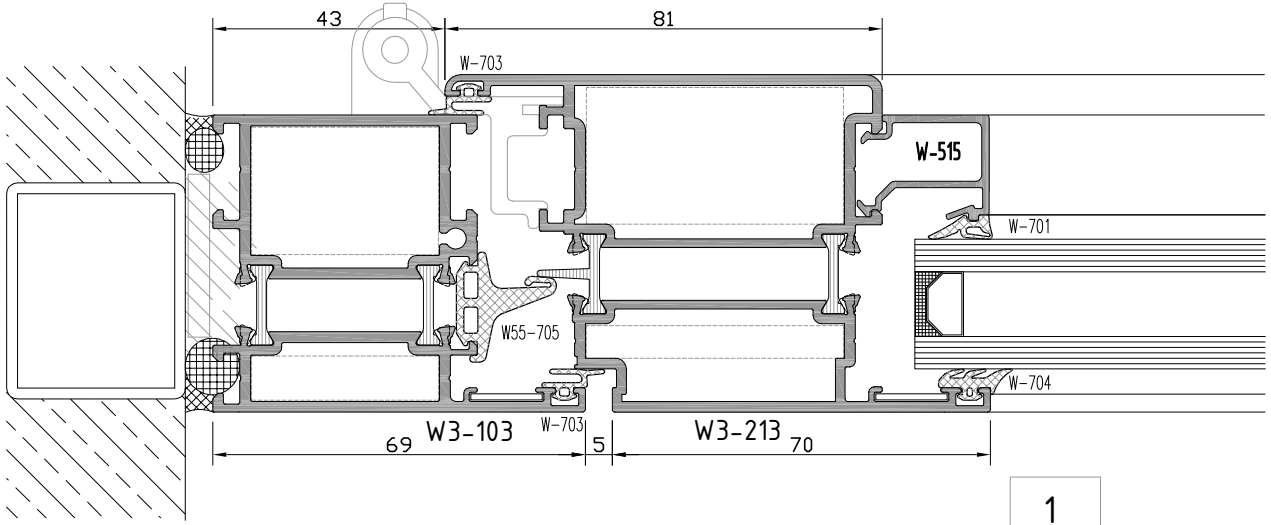
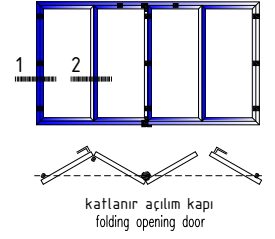


saklı kanat pencere  
invisible casement window



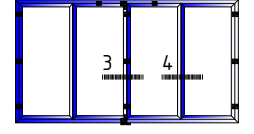
**W3**  
**W 55-2T YALITIMLI SERİ PROFİLLERİ**  
W55-2T INSULATED SERIES

**YAN BİTİM-ORTA KAYIT DETAYI**  
WALL CONNECTION-MULLION DETAIL

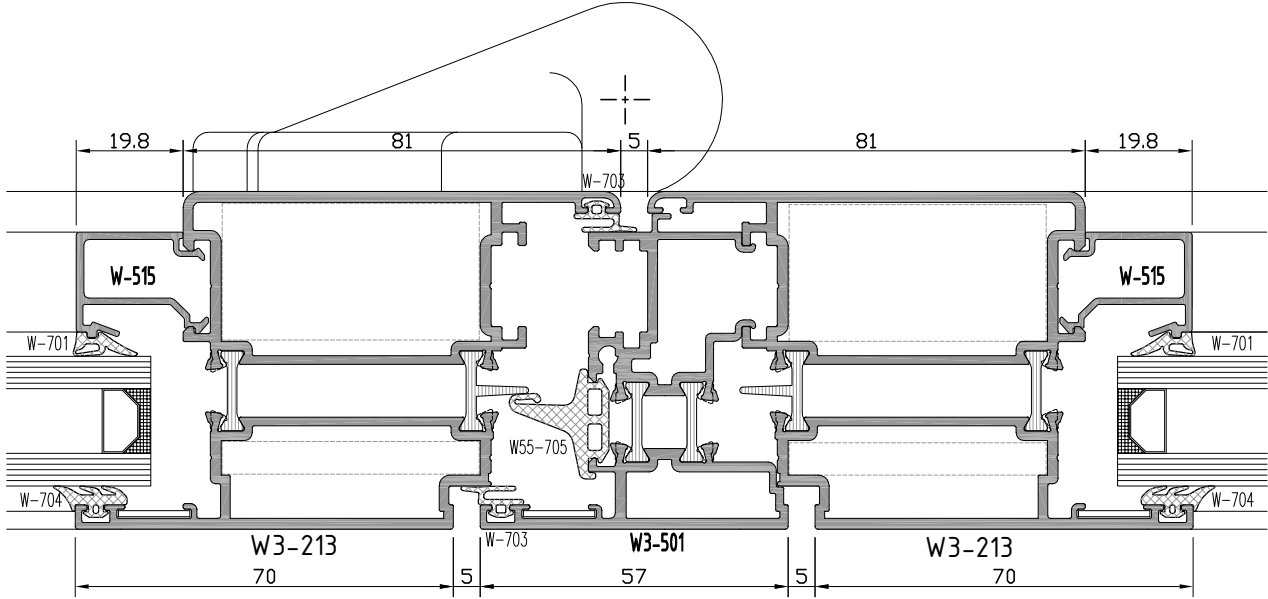


**W3**  
**W 55-2T YALITIMLI SERİ PROFİLLERİ**  
W55-2T INSULATED SERIES

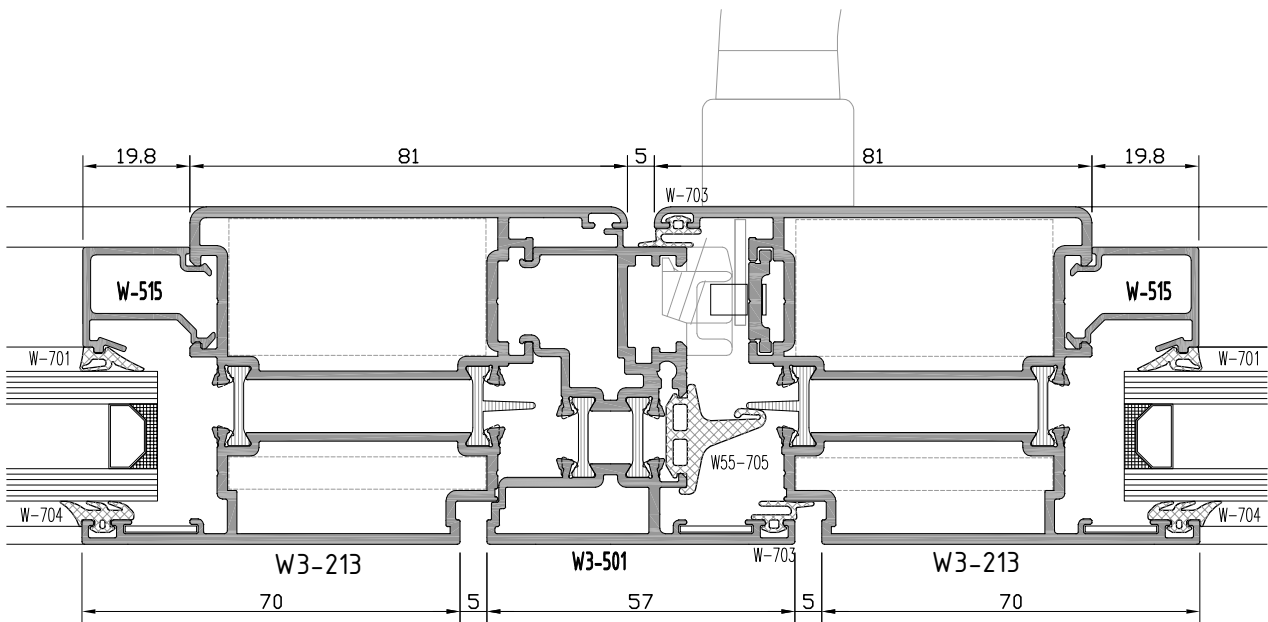
**KANAT BİRLEŞİM DETAYI**  
CASEMENT JOINING DETAIL



katlanır açılım kapı  
folding opening door



3

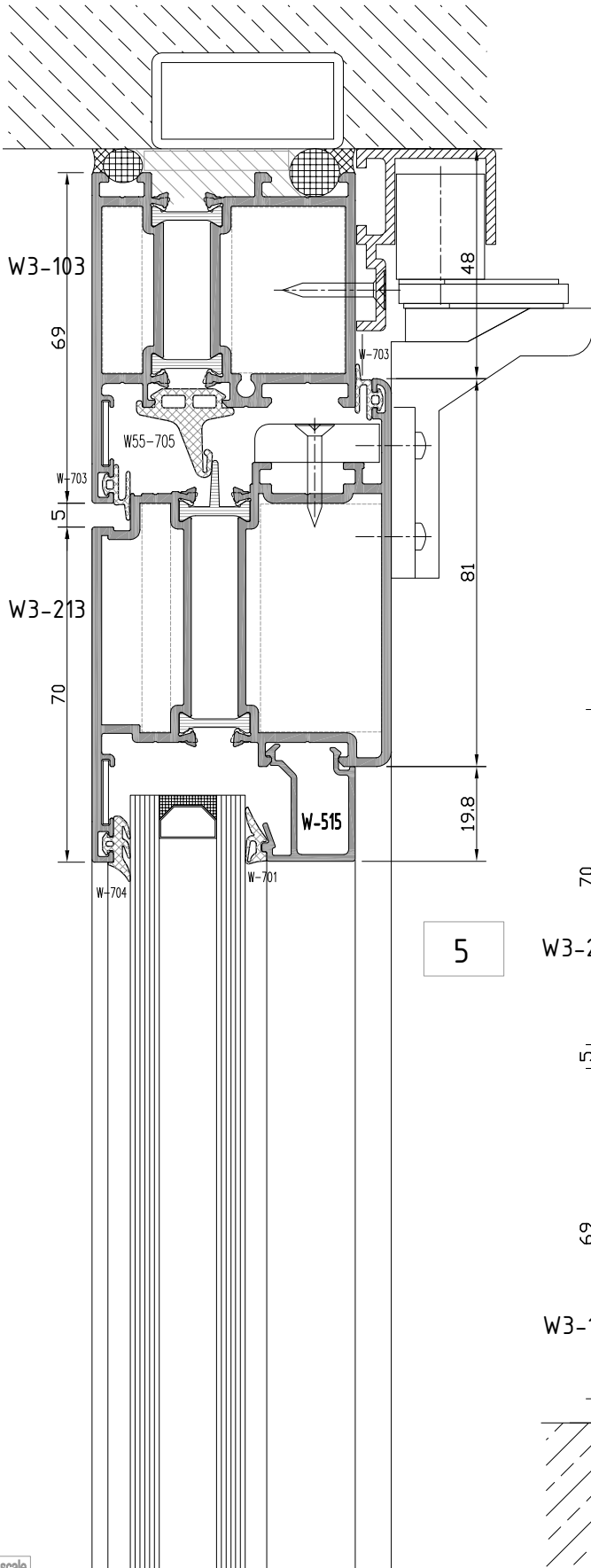


4

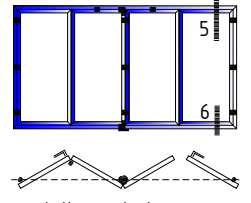
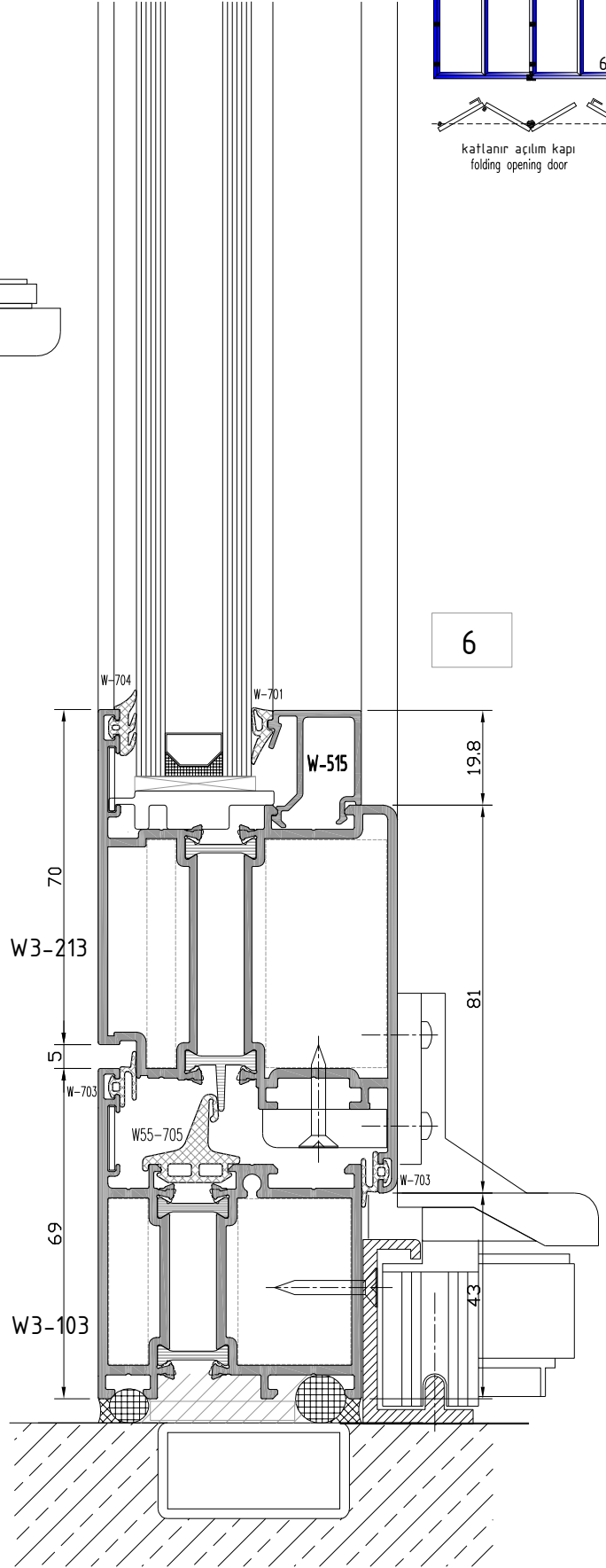


**W3**  
**W 55-2T YALITIMLI SERİ PROFİLLERİ**  
W55-2T INSULATED SERIES

**ÜST-ALT BİTİM DETAYI**  
TOP EDGE-BOTTOM EDGE DETAIL



5

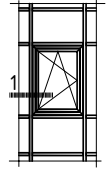


katlanır açılım kapı  
folding opening door

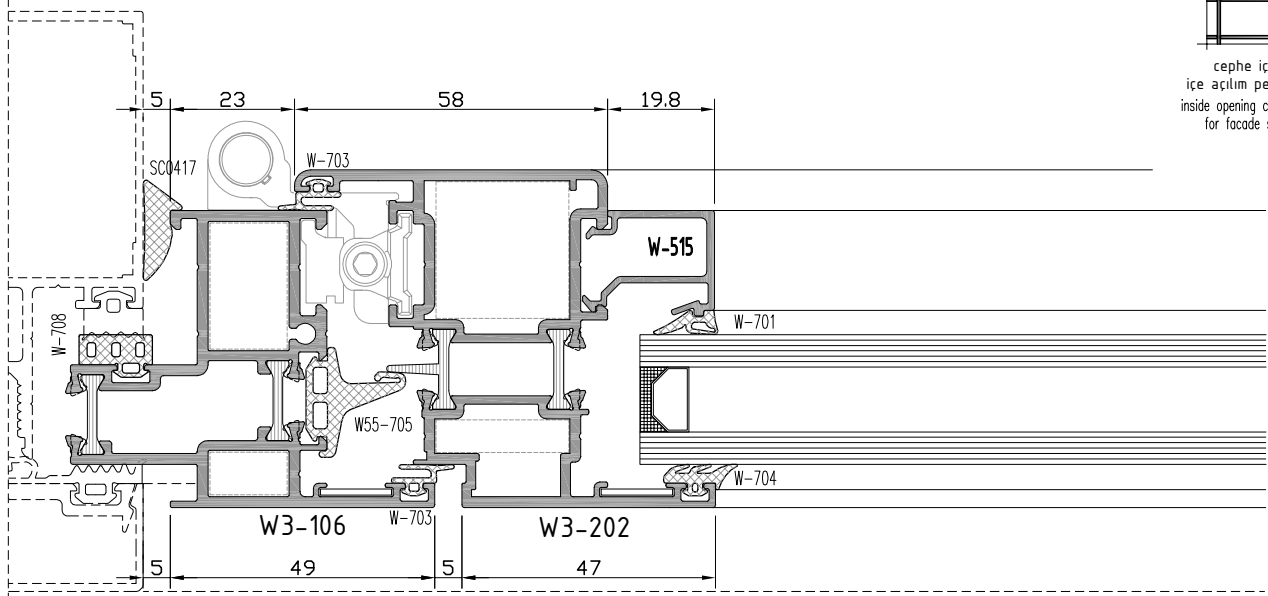
6

**W3**  
**W 55-2T YALITIMLI SERİ PROFİLLERİ**  
W55-2T INSULATED SERIES

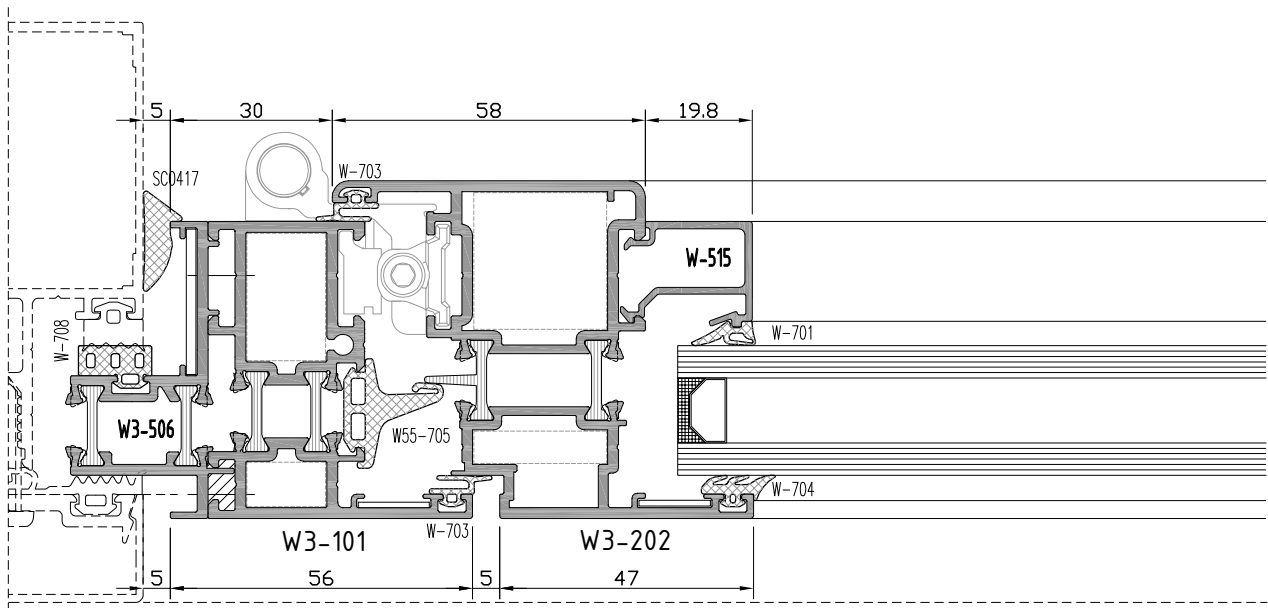
**CEPHE BİRLEŞİM DETAYI**  
FACADE SYSTEM MERGE DETAIL



cephe içi  
içe açılım pencere  
inside opening casement  
for facade sys.



1a

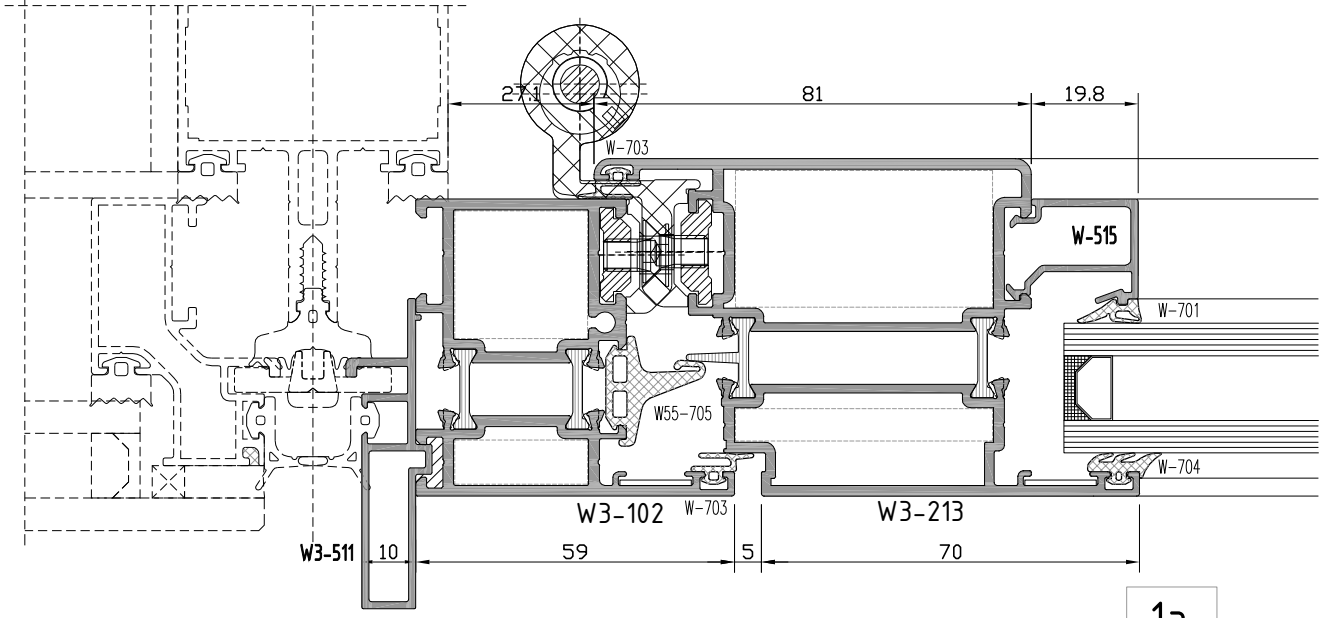
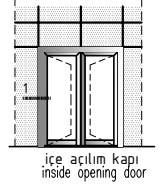


1b

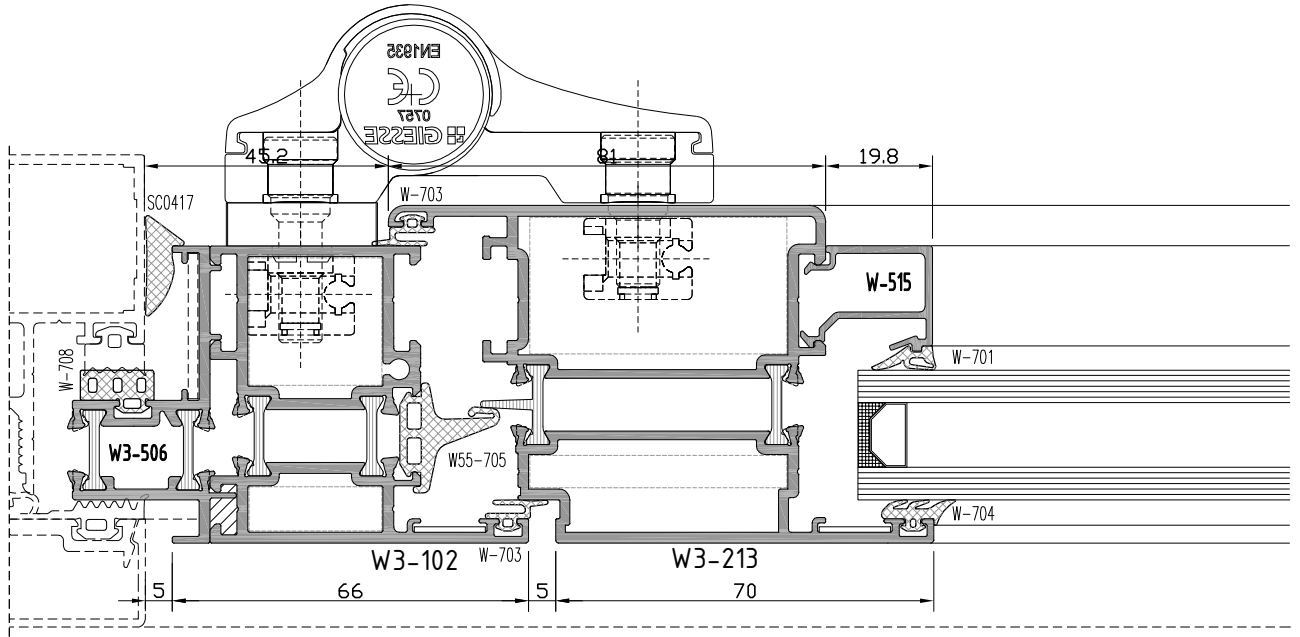
not to scale

**W3**  
**W 55-2T YALITIMLI SERİ PROFİLLERİ**  
W55-2T INSULATED SERIES

**CEPHE BİRLEŞİM DETAYI**  
FACADE SYSTEM MERGE DETAIL



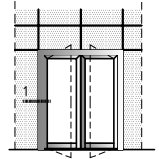
1a



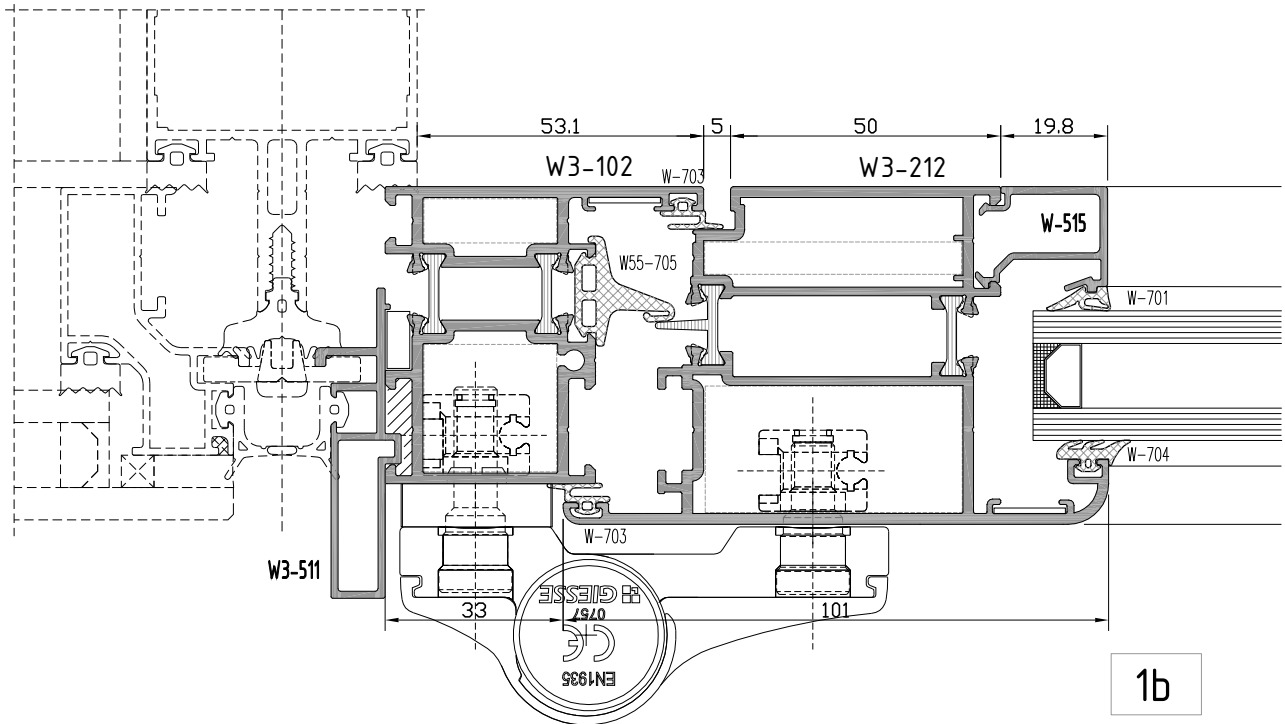
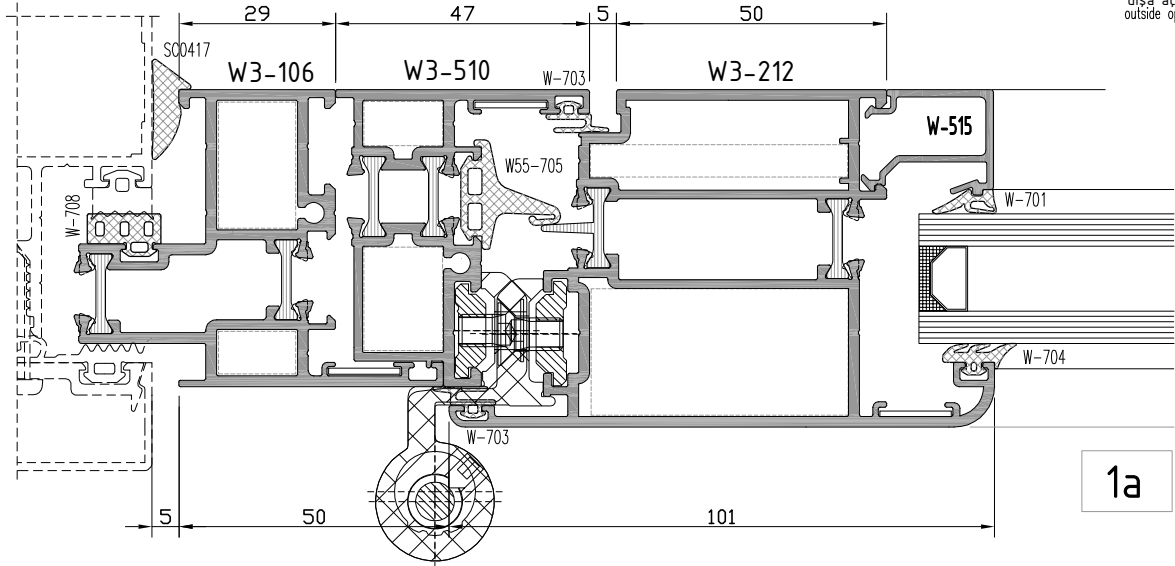
1b

**W3**  
**W 55-2T YALITIMLI SERİ PROFİLLERİ**  
W55-2T INSULATED SERIES

**CEPHE BİRLEŞİM DETAYI**  
FACADE SYSTEM MERGE DETAIL



dışa açılım kapı  
outside opening door



# W3

## W 55 -2 T YALITIMLI SERİ

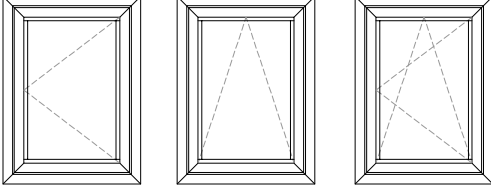
W55-2 T INSULATED SERIES

### İMALAT ŞEMASI

PRODUCTION PLAN

#### NORMAL / VAŞİSTAS / ÇİFT ACILIM PENCERE

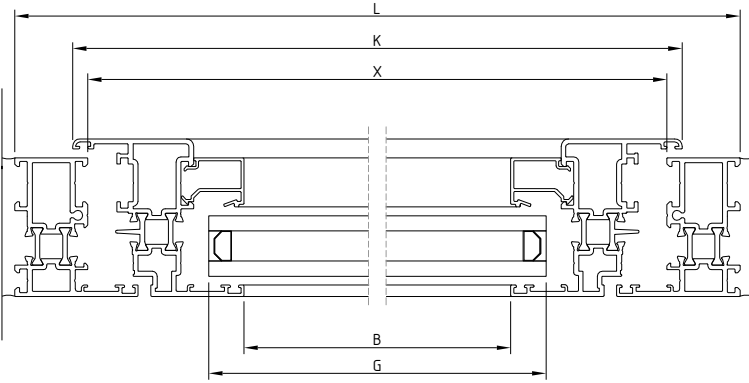
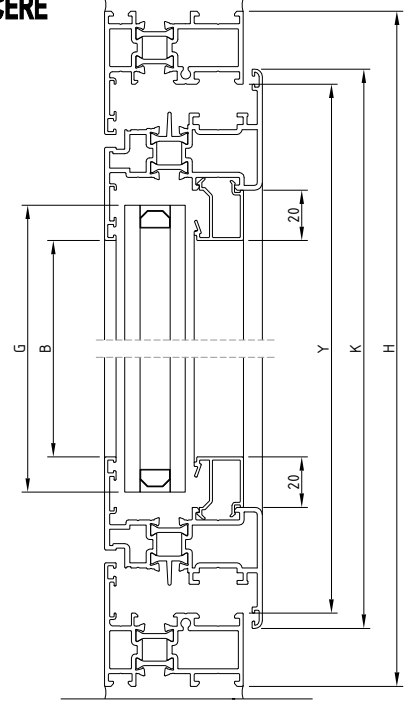
NORMAL / TILT / TILT & TURN WINDOW



$$K = X + 12$$

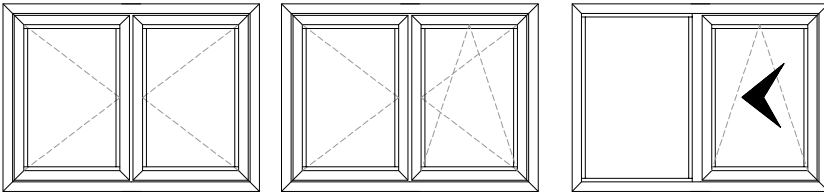
$$K = Y + 12$$

$$G = B + 28$$



#### NORMAL / NORMAL VE ÇİFT ACILIM / WOSVAGEN ACILIM PENCERE

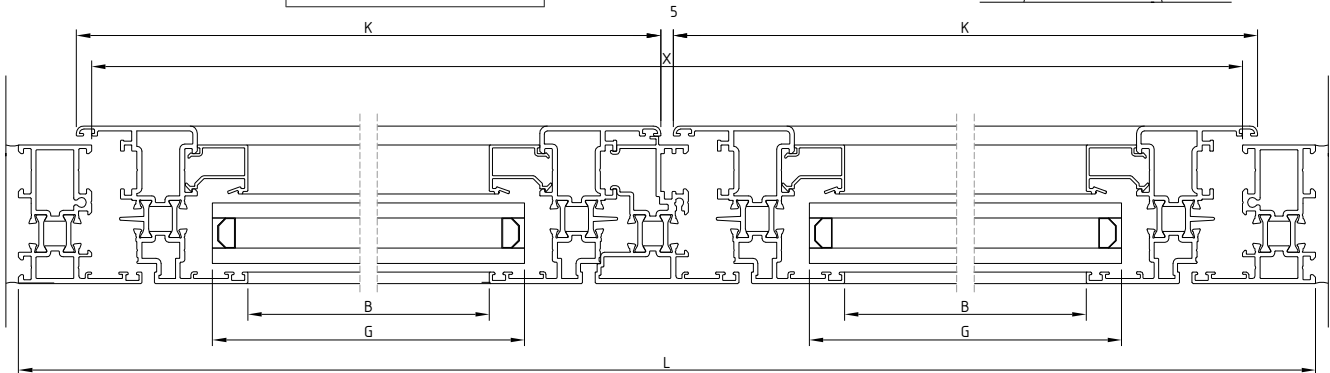
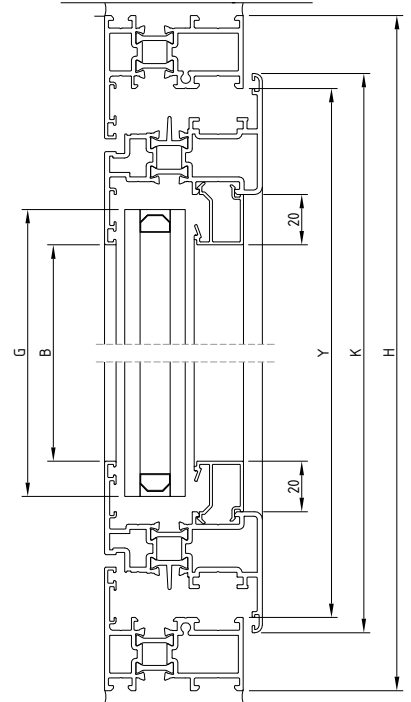
NORMAL / TILT & TURN END SIDE HUNG / WOSVAGEN WINDOW



$$K = \frac{X + 12 - 5}{2}$$

$$K = Y + 12$$

$$G = B + 28$$



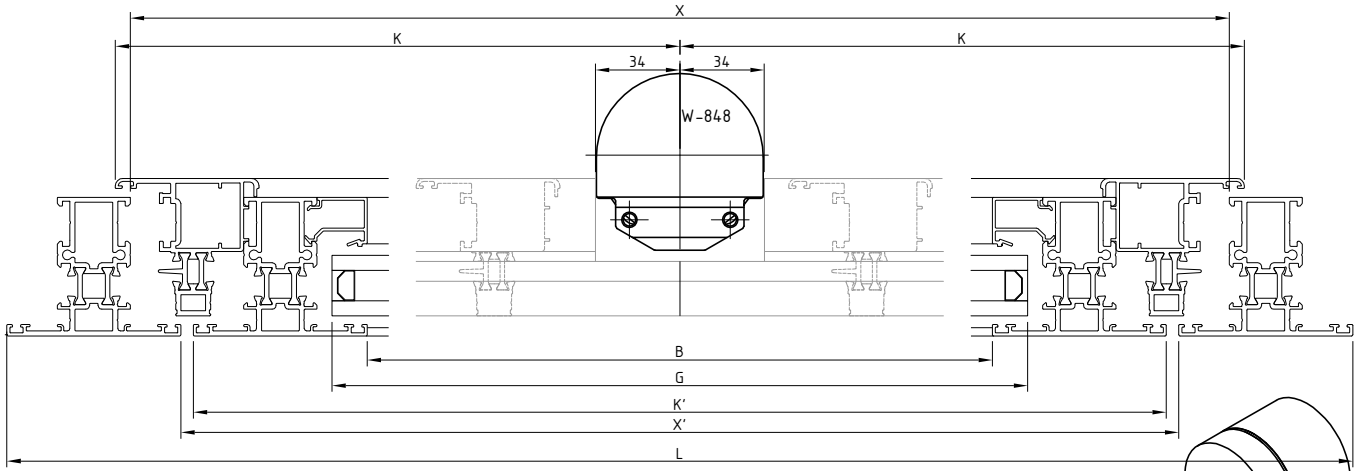
# W3

## W 55-2 T YALITIMLI SERİ

W55-2 T INSULATED SERIES

### İMALAT ŞEMASI

PRODUCTION PLAN



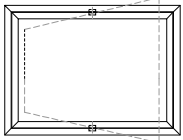
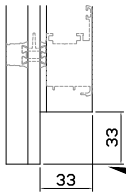
$$K = \frac{X - 67 + 12}{2}$$

$$K = Y + 12$$

$$G = B + 28$$

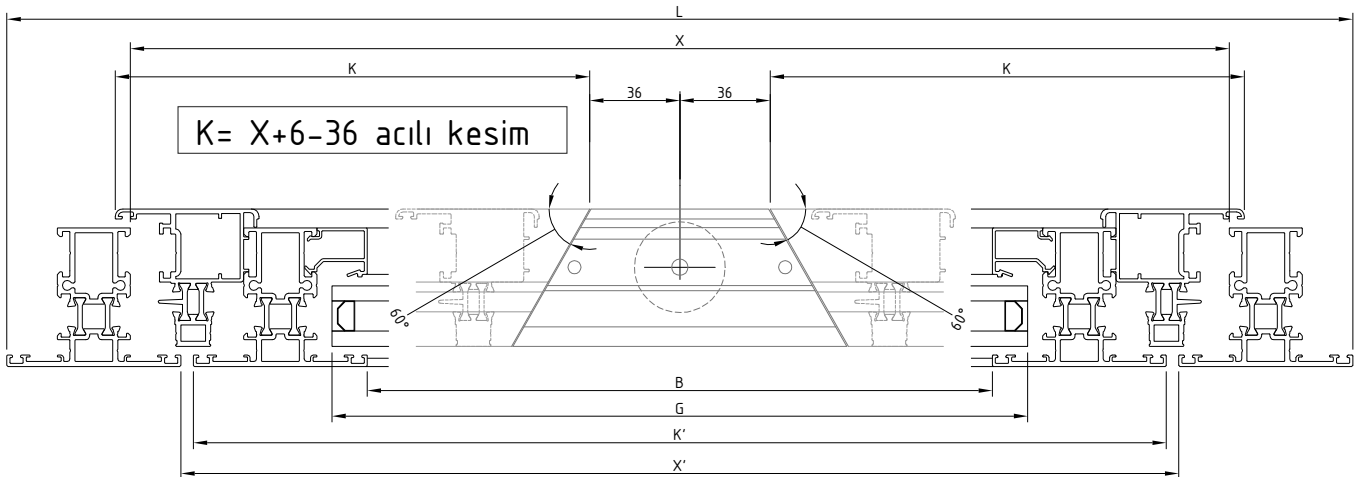
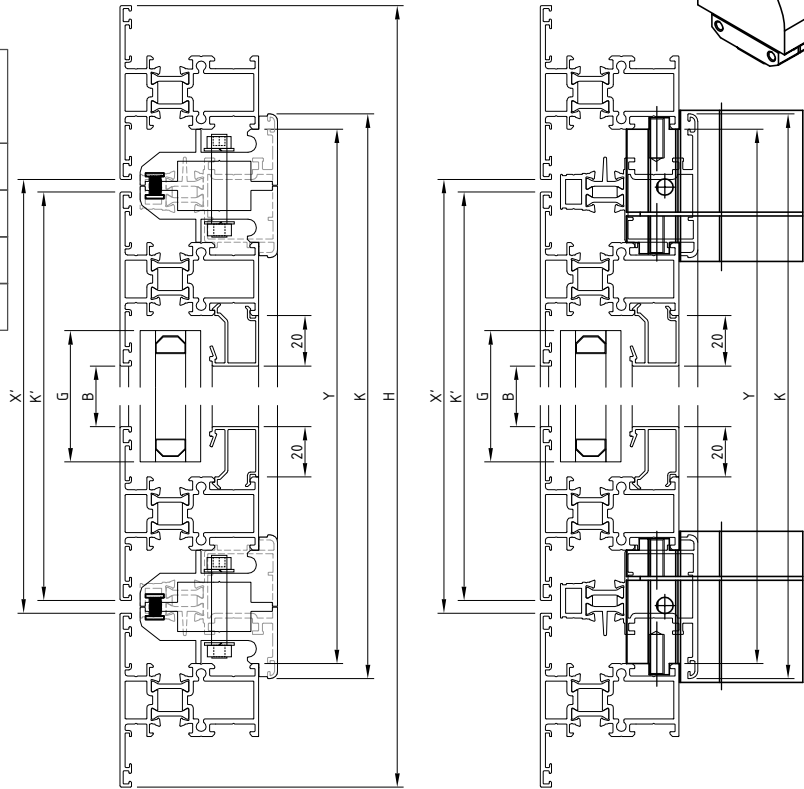
$$K' = X' - 10$$

K = Y + 6 özel işlemler



### PIVOT AÇILIM PENCERE

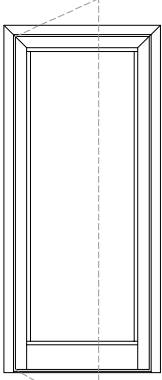
PIVOT WING OPENING WINDOW



# W3

## W 55 -2 T YALITIMLI SERİ W55-2 T INSULATED SERIES

### İMALAT ŞEMASI PRODUCTION PLAN

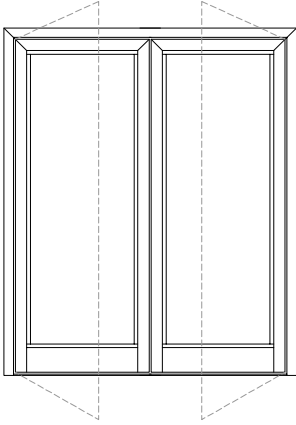
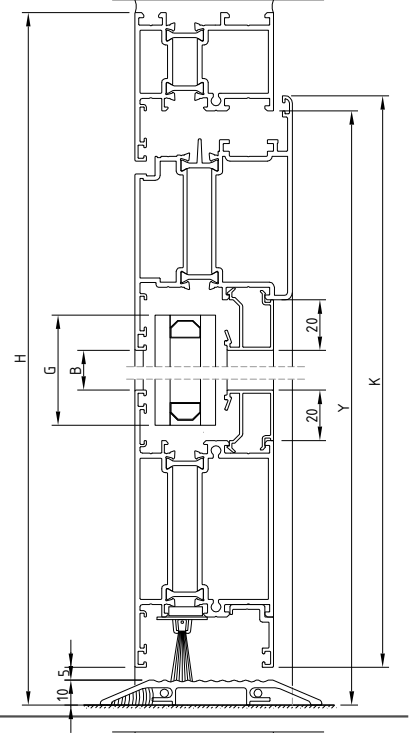
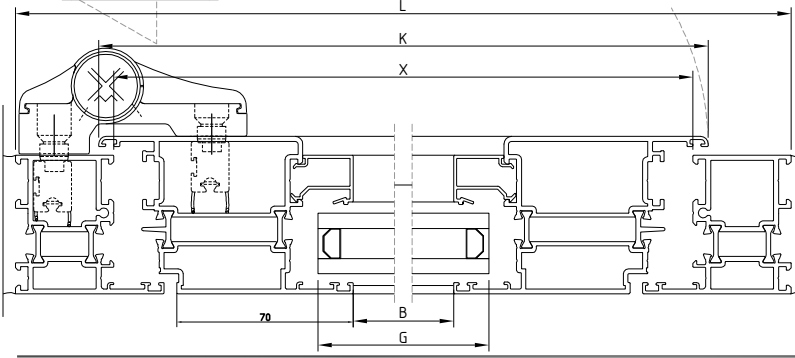


**İCERİ ACILAN KAPI**  
INTSIDE OPENING DOOR

$$K = X + 12$$

$$K = Y + 6 - 15$$

$$G = B + 28$$

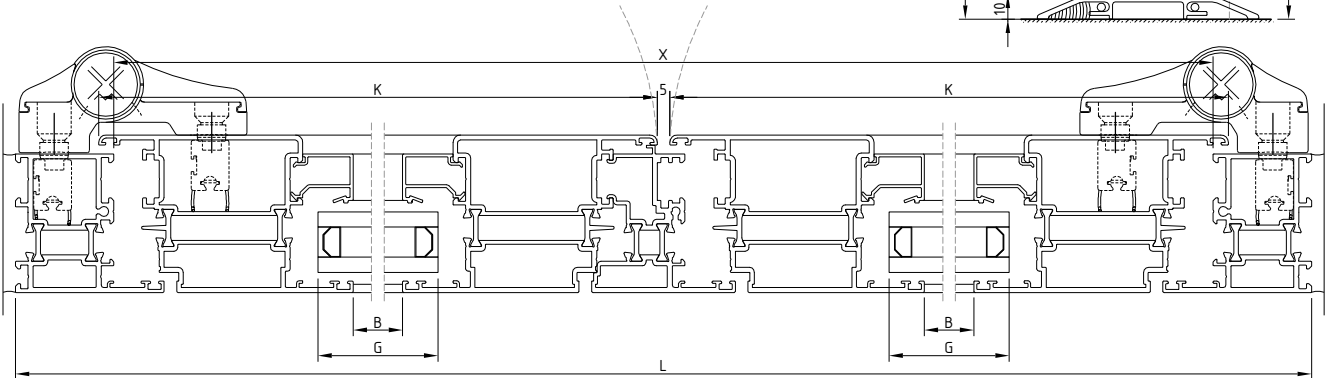
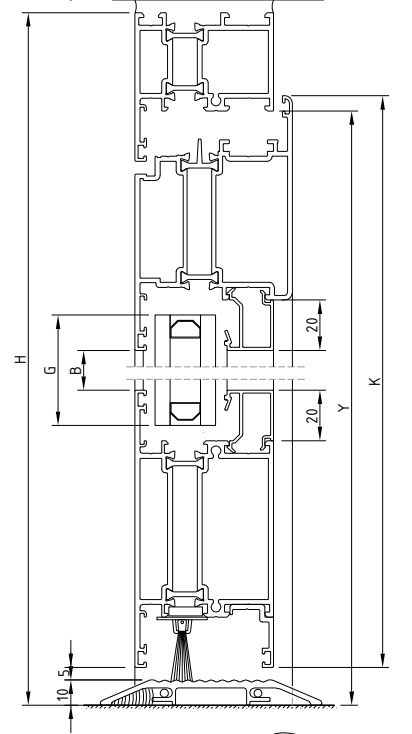


**ÇİFT KANAT İCERİ ACILAN KAPI**  
DOUBLE INTSIDE OPENING DOOR

$$K = \frac{X + 12 - 5}{2}$$

$$K = Y + 6 - 15$$

$$G = B + 28$$



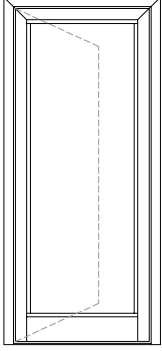
# W3

## W 55 -2 T YALITIMLI SERİ

W55-2 T INSULATED SERIES

### İMALAT ŞEMASI

PRODUCTION PLAN

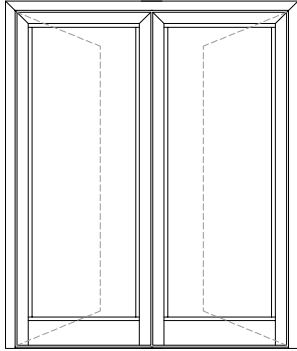
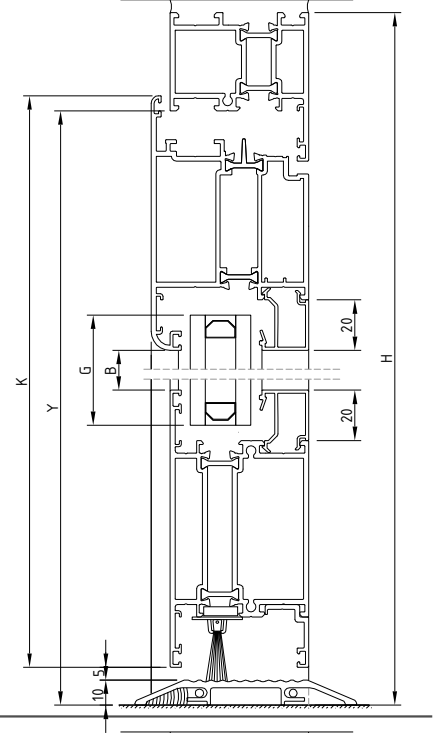
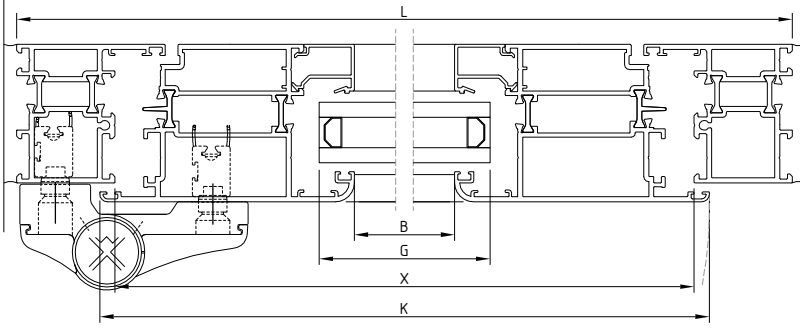


**DIŞA AÇILAN KAPI**  
OUTSIDE OPENING DOOR

$$K = X + 12$$

$$K = Y + 6 - 15$$

$$G = B + 28$$

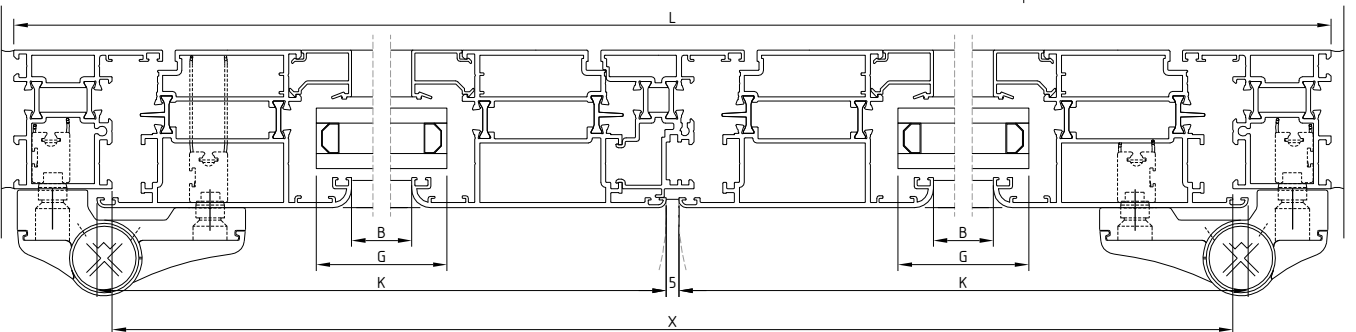
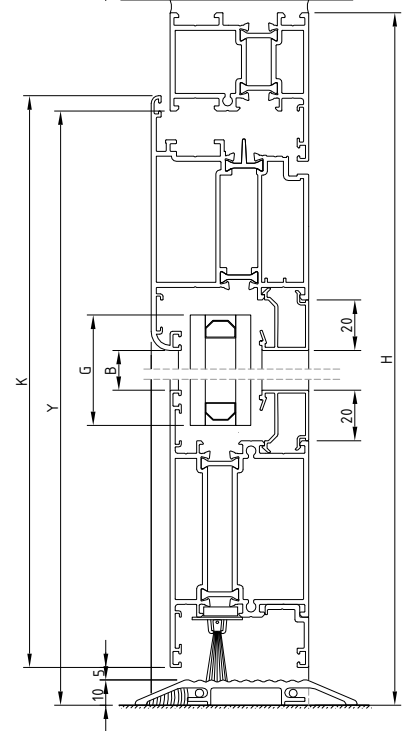


**ÇİFT KANAT DIŞARI AÇILAN KAPI**  
DOUBLE OUTSIDE OPENING DOOR

$$K = \frac{X + 12 - 5}{2}$$

$$K = Y + 6 - 15$$

$$G = B + 28$$





# W3

## W 55 -2 T YALITIMLI SERİ

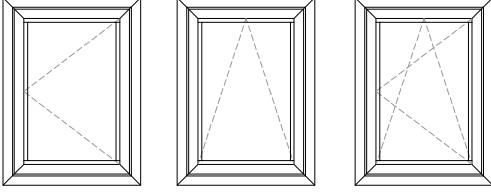
W55-2 T INSULATED SERIES

### İMALAT ŞEMASI

PRODUCTION PLAN

### NORMAL / VASİSTAS / ÇİFT ACILIM GİZLİ KANAT PENCERE

NORMAL / TILT / TILT & TURN INVISIBLE SASH WINDOW



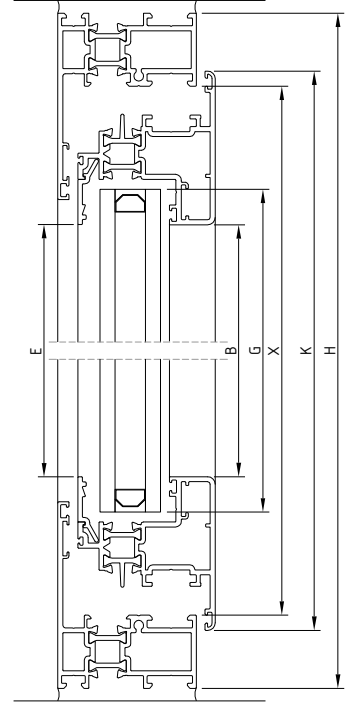
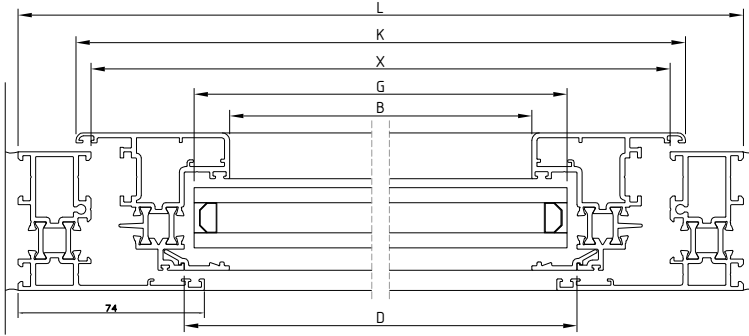
$$K = X + 12$$

$$K = Y + 12$$

$$G = B + 28$$

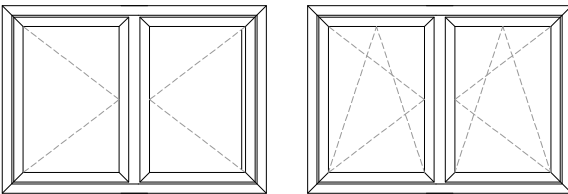
$$D = B + 36$$

$$E = B$$



### NORMAL / ÇİFT GİZLİ KANAT PENCERE

NORMAL / TILT & TURN DOUBLE INVISIBLE SASH WINDOW



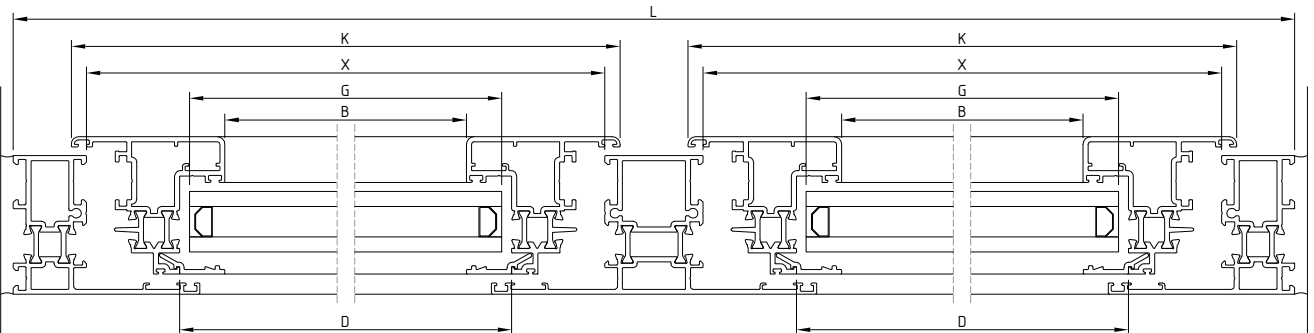
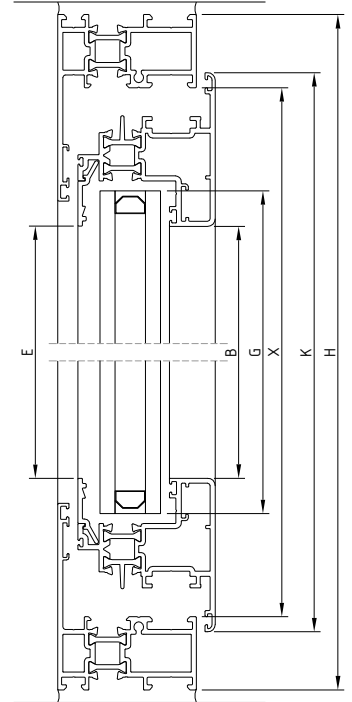
$$K = \frac{X + 12 - 5}{2}$$

$$K = Y + 12$$

$$G = B + 28$$

$$D = B + 36$$

$$E = B$$



# W 55 SERİ PROFİLLERİ

## W55 PROFILES SERIE

### Fitil listesi

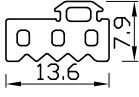
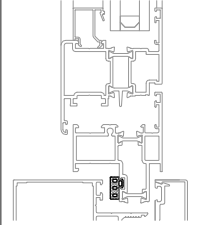
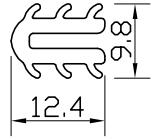
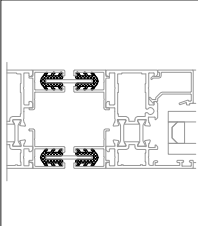
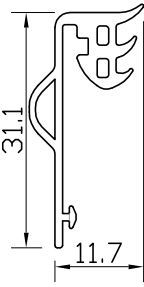
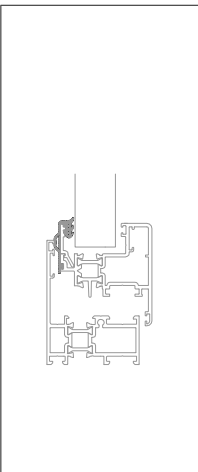
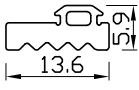
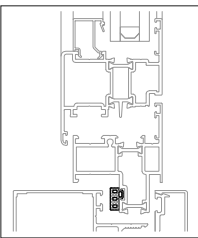
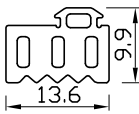
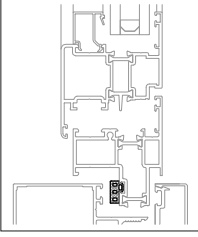
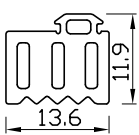
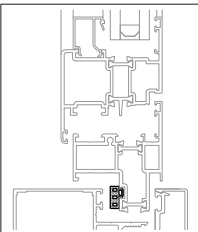
#### Gasket list

kod code	şekil drawing	tanım description	teorik ağırlık teoretical weight gr / m	paket ağırlığı package weight kg / package	paket metrajı in one package metre / package	kullanım yeri aplication
W-701		epdm cam iç fitil glazing gasket inside	41 gr/m	15 kg	366 m	
W-702		epdm cam iç fitil glazing gasket inside	49 gr/m	15 kg	306 m	
W-703		epdm çarpma iç-dış fitil glazing acoustical (epdm)	33 gr/m	15 kg	440 m	
W-704		epdm cam dış fitil glazing gasket outside (epdm)	50 gr/m	15 kg	300 m	
W55-705		epdm tozluk fitil central gasket (epdm)	162 gr/m	15 kg	92 m	
W55-706		köşe tozluk fitil central gasket (epdm)	15 gr/m	7,5 kg	50 ad-pcs	
W-707		epdm etek fitili gasket under profile	58 gr/m	15 kg	258 m	

# W 55 SERİ PROFİLLERİ

## W55 PROFILES SERIE

Fitil listesi  
Gasket list

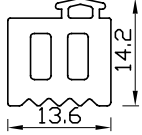
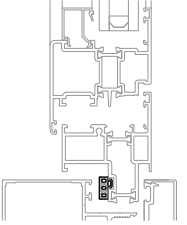
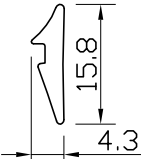
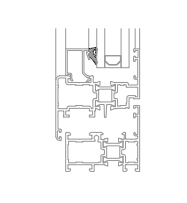
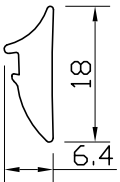
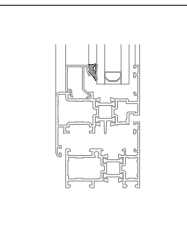
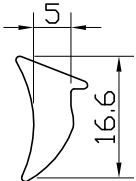
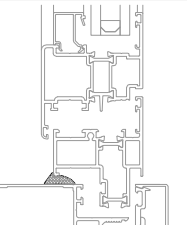
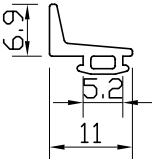
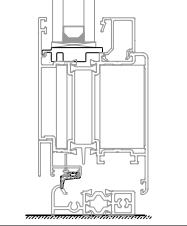
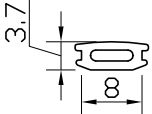
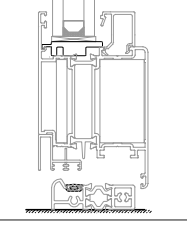
kod code	şekil drawing	tanım description	teorik ağırlık teoretical weight gr / m	paket ağırlığı package weight kg / package	paket metrajı in one package metre / package	kullanım yeri aplication
W-708		Profil iç fitil Profile gasket inside	91 gr/m	15 kg	165 m	
W-709		profil ara fitil gasket between profile (epdm)	82 gr/m	15 kg	183 m	
W-710		cam dış fitil (tpv) glazing gasket outside (tpv)	119 gr/m	15 kg	126 m	
W-711		Profil iç fitil Profile gasket inside	65 gr/m	15 kg	230 m	
W-712		Profil iç fitil Profile gasket inside	110 gr/m	15 kg	135 m	
W-713		Profil iç fitil Profile gasket inside	135 gr/m	15 kg	110 m	

# W 55 SERİ PROFİLLERİ

## W55 PROFILES SERIE

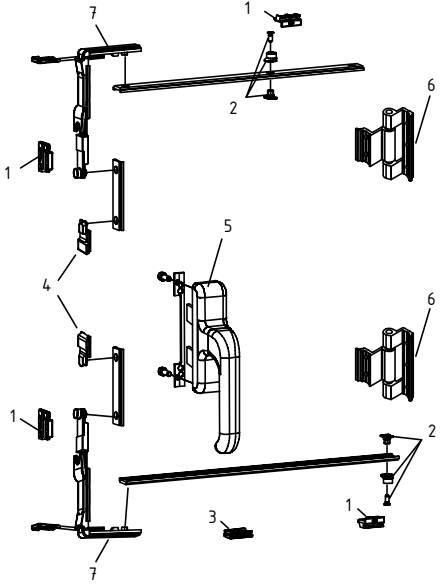
### FİTİL LİSTESİ

#### Gasket list

kod code	şekil drawing	tanım description	teorik ağırlık teoretical weight gr / m	paket ağırlığı package weight kg / package	paket metrajı in one package metre / package	kullanım yeri aplication
W-714		Profil iç fitil Profile gasket inside	166 gr/m	15 kg	90 m	
W-718		epdm cam iç fitil glazing gasket inside	52 gr/m	15 kg	288 m	
W-719		epdm cam iç fitil glazing gasket inside	88 gr/m	15 kg	170 m	
SC0417		kasa alt fitil safe gasket inside (epdm)	96 gr/m	15 kg	156 m	
W-721		Eşik Fitili gasket threshold profile	40 gr/m	15 kg	375 m	
W-722		Eşik Fitili gasket threshold profile	30 gr/m	15 kg	500 m	

# AKSESUARLAR ACCESSOIRES

# PENCERE VE KAPI AÇILIM MEKANİZMALARI WINDOW AND DOOR OPENING MECHANISMS

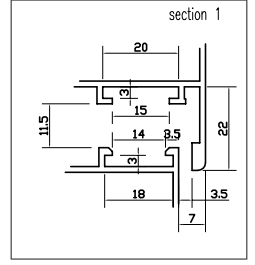
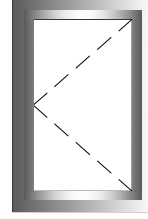


Normal açılım mekanizması (takım)  
Opening window mechanism (set)

W-800		
1	Pim karşılığı	W-876
2	Ayarlı karşılık	W-879
3	Kanat sarkma takozu	W-887
4	Kol karşılığı	W-877
5	Çift dilli kol	W-857
6	Menteşe	W-833
+		
>1200 x 1400 mm		
7	Köşe dönme	W-875

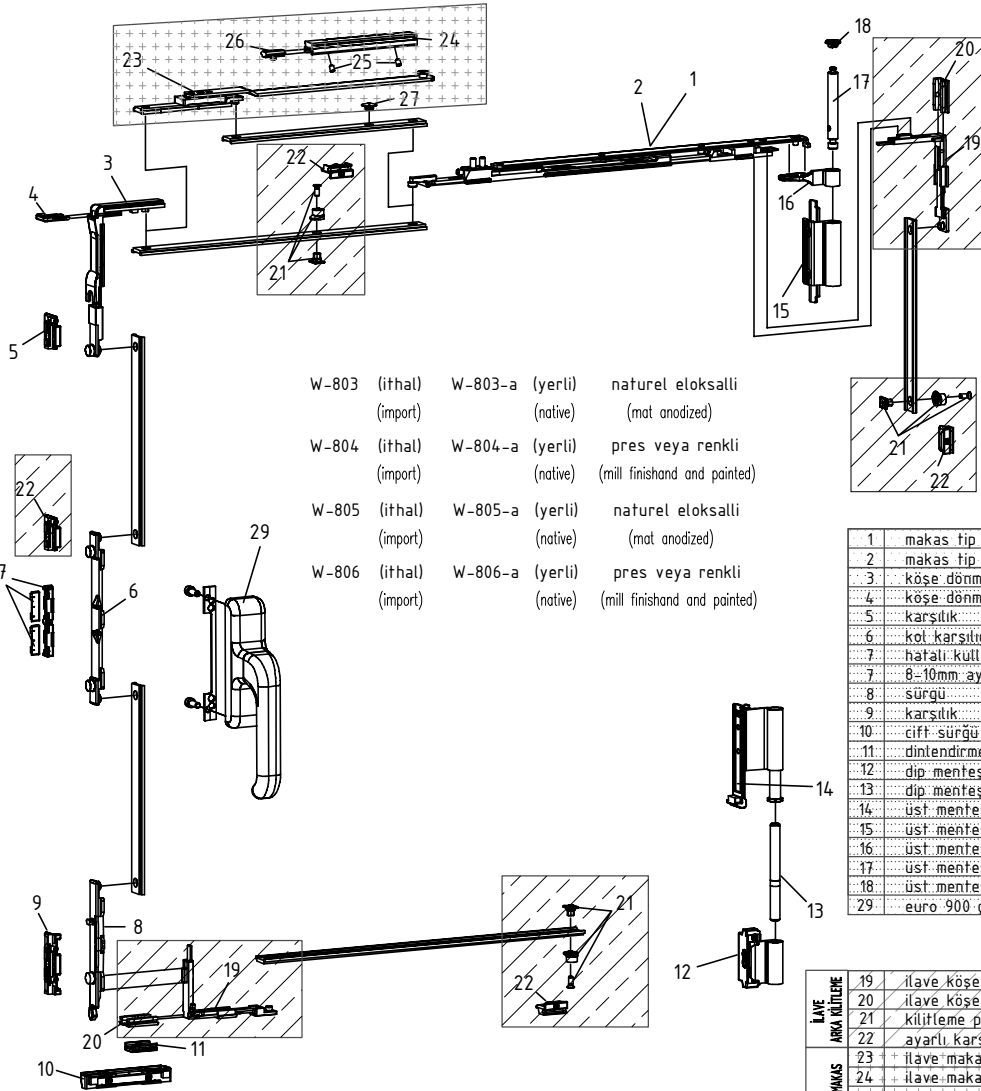
W-801		
1	Pim karşılığı	W-876
2	Ayarlı karşılık	W-879
3	Kanat sarkma takozu	W-887
4	Kol karşılığı	W-877
5	Çift dilli kol	W-858
6	Menteşe	W-834
+		
>1200 x 1400 mm		
7	Köşe dönme	W-875

(renk seçeneği belirtilmelidir)  
(colour choice must be stated)

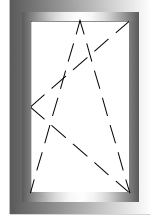
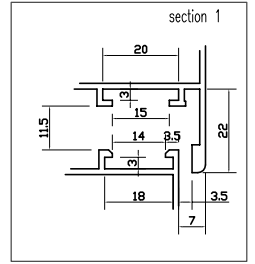


W-800 (ithal) (import) W-800-a (yerli) (native) naturel eloksalli (mat anodized)  
W-801 (ithal) (import) W-801-a (yerli) (native) pres veya renkli (mill finish and painted)

Çift açılım mekanizması (takım)  
Tilt and turn window mechanism (set)



W-803 (ithal) (import) W-803-a (yerli) (native) naturel eloksalli (mat anodized)  
W-804 (ithal) (import) W-804-a (yerli) (native) pres veya renkli (mill finish and painted)  
W-805 (ithal) (import) W-805-a (yerli) (native) naturel eloksalli (mat anodized)  
W-806 (ithal) (import) W-806-a (yerli) (native) pres veya renkli (mill finish and painted)



	W-805 (80 kg)	W-803 (130 kg)
1	makas tip 1 ( küçük)	W-884-80 W-884-130
2	makas tip 2 ( büyük)	W-881-80 W-881-130
3	köşe dönme	
4	köşe dönme sabitleme klipsi	
5	karşılık	
6	kol karşılığı	
7	hatalı kullanım öneme karşılığı	
7	8-10mm ayar simi	W-803LOCK W-803LOCK
8	sürgü	
9	karşılık	
10	çift sürgü karşılık	
11	dinlendirme takozu	
12	dip menteşe erkek kısmı	
13	dip menteşe pimi	
14	üst menteşe dişi kısmı	
15	üst menteşe erkek kısmı	W-845HINGES W-842HINGES
16	üst menteşe dişi kısmı	
17	üst menteşe pimi	
18	üst menteşe stoper kapak	
29	euro 900 çift açılım kolu	W-872 W-872

+  
>80kg - 130kg

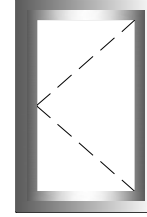
+		
19	ilave köşe dönme	
20	ilave köşe dönme sabitleme klipsi	W-880-1 W-880-1
21	kilitleme pimi	
22	ayarlı karşılık	
23	ilave makas	
24	ilave makas kilavuzu	
25	klavuz vidaları	W-880
26	ayarlı stoper	
27	makas destek bloğu	

# AKSESUARLAR ACCESSOIRES

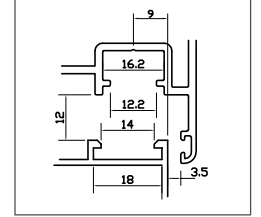
# PENCERE VE KAPI AÇILIM MEKANİZMALARI WINDOW AND DOOR OPENING MECHANISMS

Locking mechanism UNI-JET C and D - Side hung fittings - 1 sash  
Fixed gear position, groove position 9mm

Normal açılım PVC mekanizması (takım)  
PVC opening window mechanism (set)



Basic security



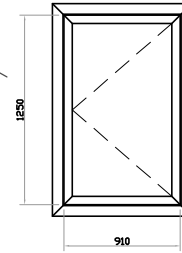
yükseklik (height):	kanat genişliği (width):					
	280-500	501-750	701-1000	1001-1200**	1201-1450**	1451-1600**
480-590	1	2	3	4	5	6
591-750	7	8	9	10	11	12
751-1200	13	14	15	16	17	18
951-1450 *	19	20	21	22	23	24
1201-1700 *	25	26	27	28	29	30
1451-1950 *	31	32	33	34	35	36
1951-2450*	37	38	39	40	41	

\* arka kilitlemeli  
\*\* yatay kilitlemeli

(renk seçeneği belirtilmelidir)  
(colour choice must be stated)

W-807 (ithal) W-807-a (yerli) naturel eloksalli (import) (native) (mat anodized)  
W-808 (ithal) W-808-a (yerli) pres veya renkli (import) (native) (mill finish and painted)

Örnek kod tesbiti  
Example



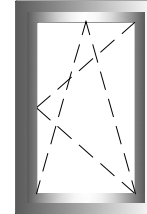
sipariş kodu  
order code

W-807-27 (ithal) (import)

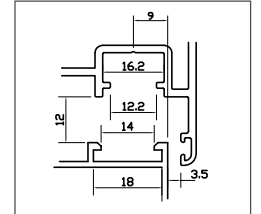
W-807-27-a (yerli) (native)

Locking mechanism UNI-JET C and D - Tilt-turn fittings - 1 sash  
Fixed gear position, groove position 9mm

Çift açılım PVC mekanizması (takım)  
PVC tilt and turn window mechanism (set)



Basic security



W-809 (ithal) W-809-a (yerli) naturel eloksalli (import) (native) (mat anodized)  
W-810 (ithal) W-810-a (yerli) pres veya renkli (import) (native) (mill finish and painted)

yükseklik (height):	kanat genişliği (width):					
	280-500	501-750	701-1000	1001-1200**	1201-1450**	1451-1600**
480-590	1	2	3	4	5	6
591-750	7	8	9	10	11	12
751-1200	13	14	15	16	17	18
951-1450 *	19	20	21	22	23	24
1201-1700 *	25	26	27	28	29	30
1451-1950 *	31	32	33	34	35	36
1951-2450*	37	38	39	40	41	

\* arka kilitlemeli  
\*\* yatay kilitlemeli

(renk seçeneği belirtilmelidir)  
(colour choice must be stated)

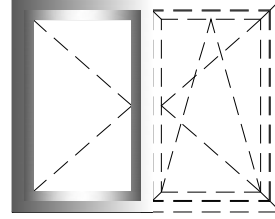
# AKSESUARLAR ACCESSOIRES

# PENCERE VE KAPI AÇILIM MEKANİZMALARI WINDOW AND DOOR OPENING MECHANISMS

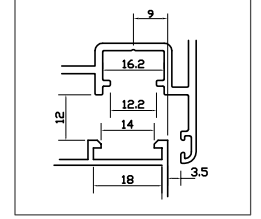
Locking mechanism UNI-JET C and D Inactive sash fittings ZH  
Fixed gear position, groove position 9mm



W-811	(ithal) (import)	W-811-a	(yerli) (native)	naturel eloksalli (mat anodized)
W-812	(ithal) (import)	W-812-a	(yerli) (native)	pres veya renkli (mill finishand and painted)



Basic security



Normal açılım PVC mekanizması (takım)  
PVC opening window mechanism (set)

kanat genişliği (width):

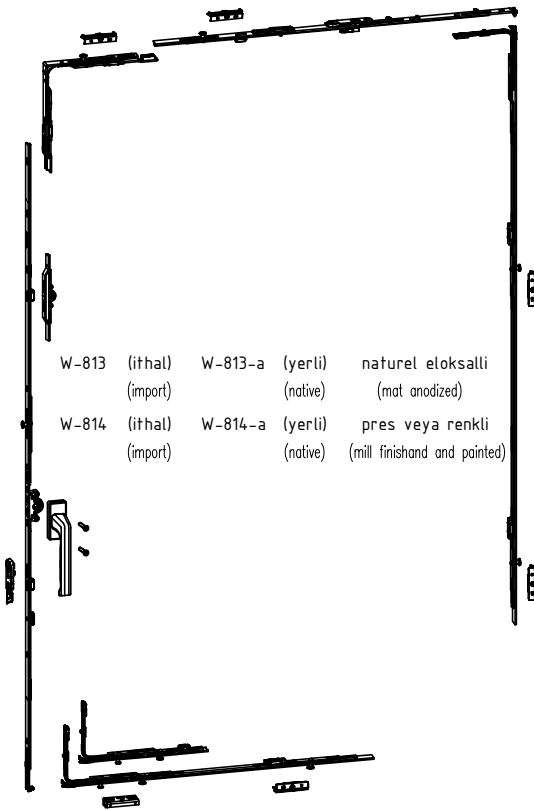
yükseklik (height):	kanat genişliği (width):					
	280-500	501-750	701-1000	1001-1200**	1201-1450**	1451-1600**
480-590	1	2	3	4	5	6
591-750	7	8	9	10	11	12
751-1200	13	14	15	16	17	18
951-1450 *	19	20	21	22	23	24
1201-1700 *	25	26	27	28	29	30
1451-1950 *	31	32	33	34	35	36
1951-2450*	37	38	39	40	41	

\* arka kilitlemeli

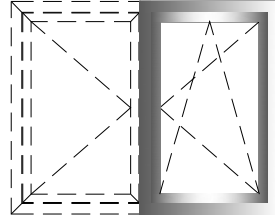
\*\* yatay kilitlemeli

(renk seçeneği belirtilmelidir)  
(colour choice must be stated)

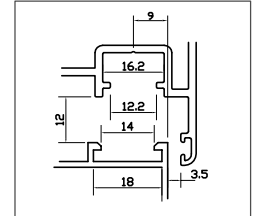
Locking mechanism UNI-JET C and D - Tilt-turn fittings - 2 sashes  
Fixed gear position, groove position 9mm



W-813	(ithal) (import)	W-813-a	(yerli) (native)	naturel eloksalli (mat anodized)
W-814	(ithal) (import)	W-814-a	(yerli) (native)	pres veya renkli (mill finishand and painted)



Basic security



Çift açılım PVC mekanizması (takım)  
PVC tilt and turn window mechanism (set)

kanat genişliği (width):

yükseklik (height):	kanat genişliği (width):					
	280-500	501-750	701-1000	1001-1200**	1201-1450**	1451-1600**
480-590	1	2	3	4	5	6
591-750	7	8	9	10	11	12
751-1200	13	14	15	16	17	18
951-1450 *	19	20	21	22	23	24
1201-1700 *	25	26	27	28	29	30
1451-1950 *	31	32	33	34	35	36
1951-2450*	37	38	39	40	41	

\* arka kilitlemeli

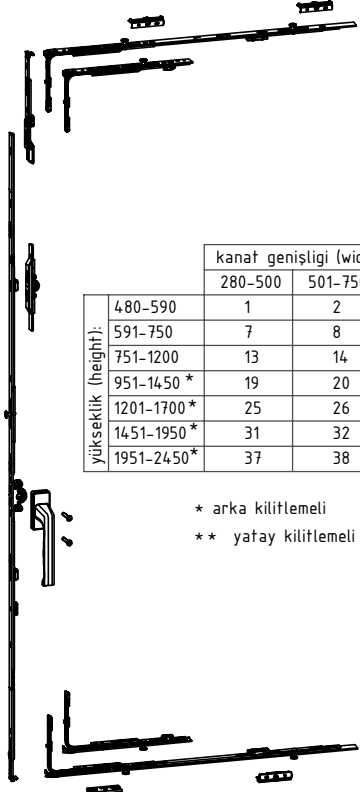
\*\* yatay kilitlemeli

(renk seçeneği belirtilmelidir)  
(colour choice must be stated)

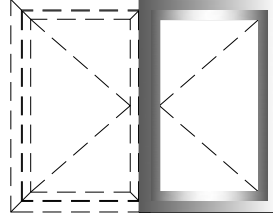
# AKSESUARLAR ACCESSOIRES

# PENCERE VE KAPI AÇILIM MEKANİZMALARI WINDOW AND DOOR OPENING MECHANISMS

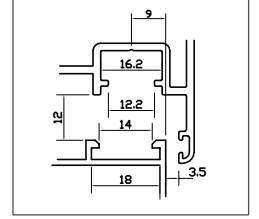
Locking mechanism UNI-JET C and D - Side hung fittings - 2 sashes  
Fixed gear position, groove position 9mm



Normal açılım PVC mekanizması (takım)  
PVC opening window mechanism (set)



Basic security

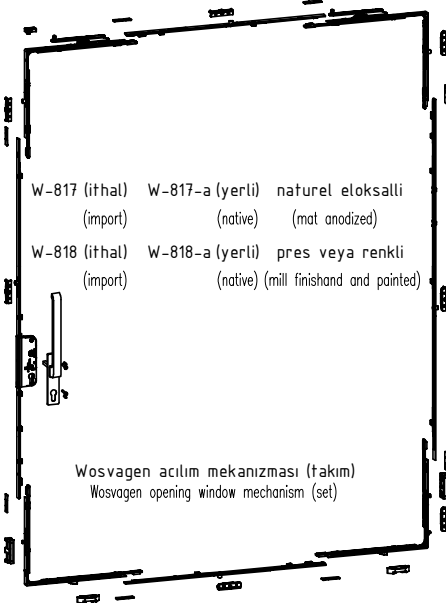
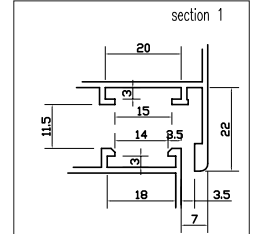
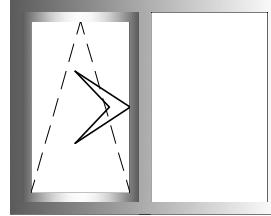


	kanat genişliği (width):					
	280-500	501-750	701-1000	1001-1200**	1201-1450**	1451-1600**
yükseklik (height):						
480-590	1	2	3	4	5	6
591-750	7	8	9	10	11	12
751-1200	13	14	15	16	17	18
951-1450 *	19	20	21	22	23	24
1201-1700 *	25	26	27	28	29	30
1451-1950 *	31	32	33	34	35	36
1951-2450*	37	38	39	40	41	

W-815 (ithal) (import) W-815-a (yerli) (native) naturel eloksalı (mat anodized)  
W-816 (ithal) (import) W-816-a (yerli) (native) pres veya renkli (mill finish and painted)

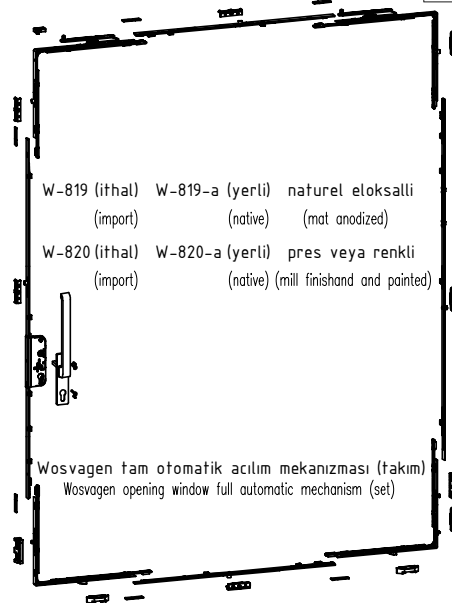
\* arka kilitlemeli  
\*\* yatay kilitlemeli

(renk seçeneği belirtilmelidir)  
(colour choice must be stated)



W-817 (ithal) (import) W-817-a (yerli) (native) naturel eloksalı (mat anodized)  
W-818 (ithal) (import) W-818-a (yerli) (native) pres veya renkli (mill finish and painted)

Wosvagen açılım mekanizması (takım)  
Wosvagen opening window mechanism (set)



W-819 (ithal) (import) W-819-a (yerli) (native) naturel eloksalı (mat anodized)  
W-820 (ithal) (import) W-820-a (yerli) (native) pres veya renkli (mill finish and painted)

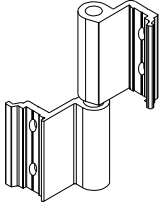
Wosvagen tam otomatik açılım mekanizması (takım)  
Wosvagen opening window full automatic mechanism (set)

(renk seçeneği belirtilmelidir)  
(colour choice must be stated)



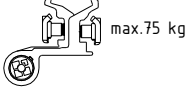
# AKSESUARLAR ACCESSOIRES

## PENCERE VE KAPI AÇILIM MEKANİZMALARI WINDOW AND DOOR OPENING MECHANISMS

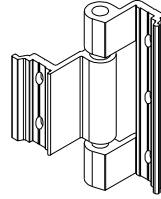


İki yapraklı pencere menteşesi  
Two leaves window hinge

W-830 (ithal) (import)	W-830-a (yerli) (native)	naturel eloksalli (mat anodized)
W-831 (ithal) (import)	W-831-a (yerli) (native)	pres veya renkli (mill finishand and painted)



max.75 kg

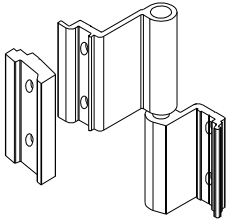


Üç yapraklı pencere menteşesi  
Three leaves window hinge

W-833 (yerli) (native)	naturel eloksalli (mat anodized)
W-834 (yerli) (native)	pres veya renkli (mill finishand and painted)

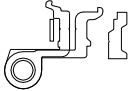


max.75 kg

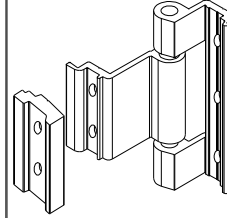


İki yapraklı normal açılım pvc pencere menteşesi  
Two leaves PVC window hinge

W-836 (ithal) (import)	W-836-a (yerli) (native)	naturel eloksalli (mat anodized)
W-837 (ithal) (import)	W-837-a (yerli) (native)	pres veya renkli (mill finishand and painted)

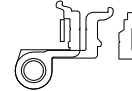


max.75 kg

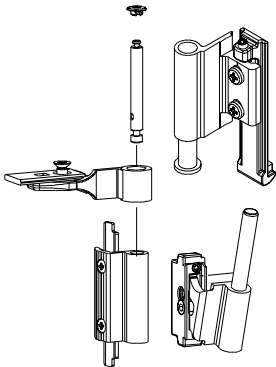


Üç yapraklı normal açılım pvc pencere menteşesi  
Three leaves PVC window hinge

W-839 (yerli) (native)	naturel eloksalli (mat anodized)
W-840 (yerli) (native)	pres veya renkli (mill finishand and painted)

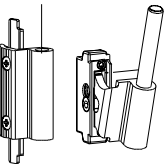


max.75 kg



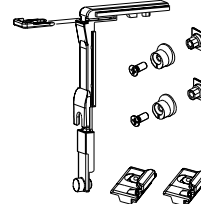
Çift açılım pencere üst menteşesi (130kg)  
Tilt and turn window top hinge (130kg)

W-842HINGES (ithal) (import)	naturel eloksalli (mat anodized)
W-843HINGES (ithal) (import)	pres veya renkli (mill finishand and painted)



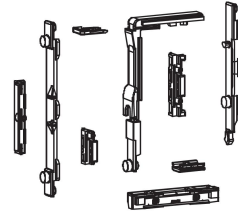
Çift açılım pencere üst menteşesi (80kg)  
Tilt and turn window top hinge (80kg)

W-845HINGES (ithal) (import)	naturel eloksalli (mat anodized)
W-846HINGES (ithal) (import)	pres veya renkli (mill finishand and painted)



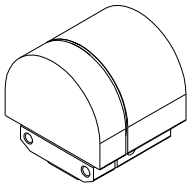
ÇİFT AÇILIM İLAVE KİLİTLEME  
TILT AND TURN ANNEX SET

W-880-1 (ithal) (import)
-----------------------------



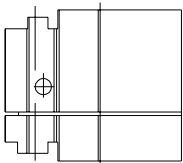
ÇİFT AÇILIM KİLİTLEME MEKANİZMA  
TILT AND TURN BASE MECHANISM

W-803LOCK (ithal) (import)
-------------------------------



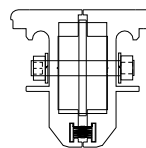
Pivot menteşe  
Hung window hinge

W-848 (ithal) (import)	W-848-a (yerli) (native)	naturel eloksalli (mat anodized)
W-849 (ithal) (import)	W-849-a (yerli) (native)	pres veya renkli (mill finishand and painted)



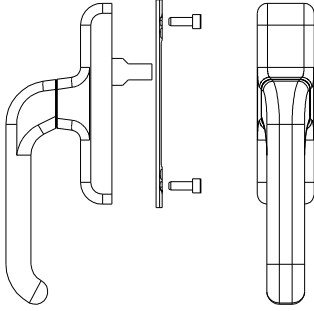
Pivot menteşe  
Hung window hinge

W-851 (yerli) (native)	naturel eloksalli	W1-W2-W3-W4
W-852 (yerli) (native)	pers-renkli boyalı	
W65-851 (yerli) (native)	naturel eloksalli	W5-W6
W65-852 (yerli) (native)	pers-renkli boyalı	
W75-851 (yerli) (native)	naturel eloksalli	W7-W8
W75-852 (yerli) (native)	pers-renkli boyalı	
W45-851 (yerli) (native)	naturel eloksalli	W9-W10
W45-852 (yerli) (native)	pers-renkli boyalı	



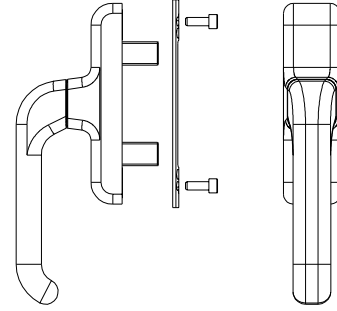
## AKSESUARLAR ACCESSOIRES

## PENCERE VE KAPI AÇILIM MEKANİZMALARI WINDOW AND DOOR OPENING MECHANISMS



Tek maçalı normal açılım pencere kolu  
Opening window handle

<b>W-854</b> (yerli) (native)	<b>W-854-a</b> (yerli) (native)	<b>naturel eloksalli</b> (mat anodized)
<b>W-855</b> (yerli) (native)	<b>W-855-a</b> (yerli) (native)	<b>pres veya renkli</b> (mill finishand and painted)



Çift maçalı normal açılım pencere kolu  
Opening window handle

<b>W-857</b> (ithal) (import)	<b>W-857-a</b> (yerli) (native)	<b>naturel eloksalli</b> (mat anodized)
<b>W-858</b> (ithal) (import)	<b>W-858-a</b> (yerli) (native)	<b>pres veya renkli</b> (mill finishand and painted)



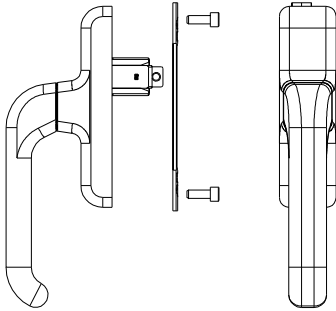
Anahtarlı aksenal kol  
Key lockable window handle

<b>W-860</b> (ithal) (import)	<b>W-860-a</b> (yerli) (native)	<b>naturel eloksalli</b> (mat anodized)
<b>W-861</b> (ithal) (import)	<b>W-861-a</b> (yerli) (native)	<b>pres veya renkli</b> (mill finishand and painted)



Sökülebilir kol gövde  
Opening window removing handle

<b>W-863</b> (ithal) (import)	<b>W-863-a</b> (yerli) (native)	<b>naturel eloksalli</b> (mat anodized)
<b>W-864</b> (ithal) (import)	<b>W-864-a</b> (yerli) (native)	<b>pres veya renkli</b> (mill finishand and painted)



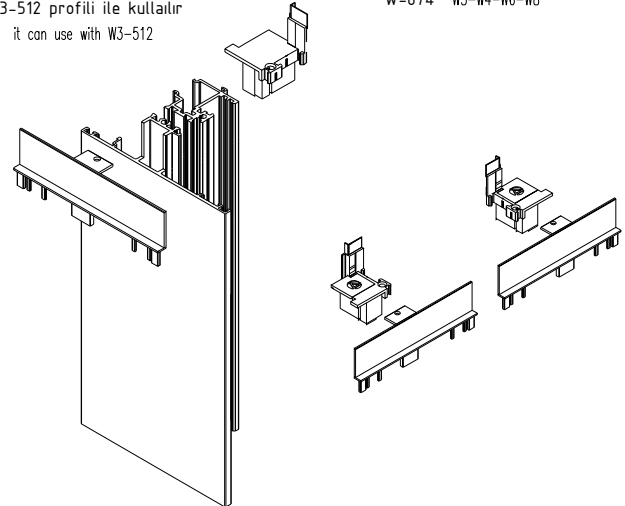
Çift açılım pencere kolu  
Tilt and turn opening window handle

<b>W-872</b> (ithal) (import)	<b>W-872-a</b> (yerli) (native)	<b>naturel eloksalli</b> (mat anodized)
<b>W-873</b> (ithal) (import)	<b>W-873-a</b> (yerli) (native)	<b>pres veya renkli</b> (mill finishand and painted)

Gizli kanat kanal adaptör kapak (takım)  
PVC adapter cover

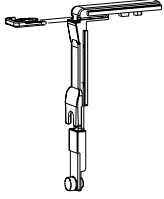
W-874 W3-W4-W6-W8

W3-512 profili ile kullanılır  
it can use with W3-512



# AKSESUARLAR ACCESSOIRES

# PENCERE VE KAPI AÇILIM MEKANİZMALARI WINDOW AND DOOR OPENING MECHANISMS



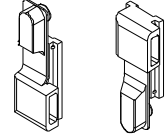
Köşe hareket aktarıcı  
Corner transmission for window

W-875 (ithal) W-875-a (yerli)  
(import) (native)



Pim karşılığı  
Adjustable single striker

W-876 (ithal) W-876-a (yerli)  
(import) (native)



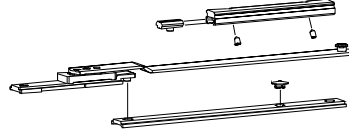
Tij bağlantı pabucu  
Connection blocks

W-877 (ithal) W-877-a (yerli)  
(import) (native)



Pim  
Pin

W-878 (ithal) W-878-a (yerli)  
(import) (native)



Çift açılım ilave makas  
Tilt and turn annex arm

W-880 (ithal) W-880-a (yerli)  
(import) (native)



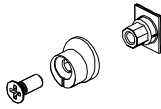
Kol karşılığı  
Cremone drive

W-882 (ithal)  
(import)  
W-882-a (yerli)  
(native)



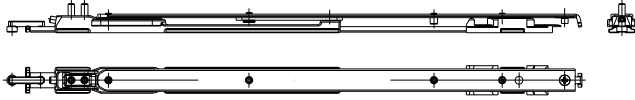
Sürgü ucu  
Bolt tip

W-883 (ithal)  
(import)  
W-883-a (yerli)  
(native)



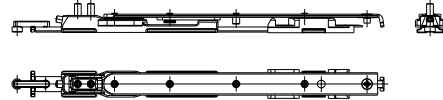
Ayarlanabilir pim  
Adjustable fastening pawl

W-879 (ithal) W-879-a (yerli)  
(import) (native)



Çift açılım büyük makas (130kg)  
Tilt and turn long arm (130kg)

W-881-80 (ithal) W-881-80-a (yerli) W-881-130 (ithal) W-881-130-a (yerli)  
(import) (native) (import) (native)



Çift açılım küçük makas (80kg)  
Tilt and turn short arm (80kg)

W-884-80 (ithal) W-884-80-a (yerli) W-884-130 (ithal) W-884-130-a (yerli)  
(import) (native) (import) (native)



Kademeli teleskopik makas (inox)  
Telescopic laser unit

W-885 (ithal) W-885-a (yerli)  
(import) (native)



Kanat sarkma takozu  
Wing rise stopper

W-887 (ithal)  
(import)  
W-887-a (yerli)  
(native)



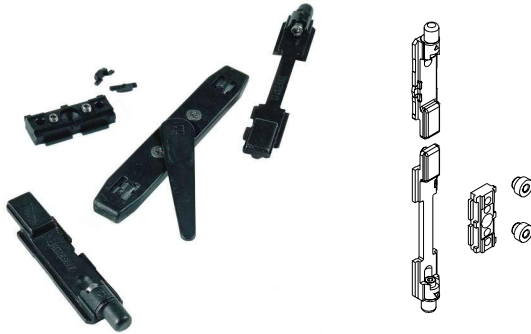
Çiftli sürgü karşılığı  
Double keeper

W-888 (ithal)  
(import)  
W-888-a (yerli)  
(native)



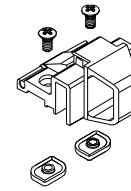
Kanat düşüş karşılığı  
Wing drop keeper

W-889 (ithal)  
(import)  
W-889-a (yerli)  
(native)



İkinci kanat sürge seti  
Two-way lever push bolt

W-893 (ithal)  
(import)  
W-893-a (yerli)  
(native)

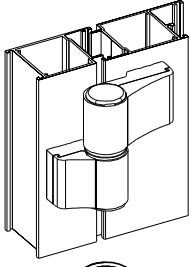


Vasistas cit cit  
Cico finger catch

W-894 (ithal) W-894-a (yerli) naturel eloksalı  
(import) (native) (mat anodized)  
W-895 (ithal) W-895-a (yerli) pres veya renkli  
(import) (native) (mill finish and painted)

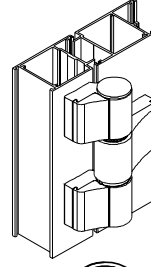
# AKSESUARLAR ACCESSOIRES

# PENCERE VE KAPI AÇILIM MEKANİZMALARI WINDOW AND DOOR OPENING MECHANISMS



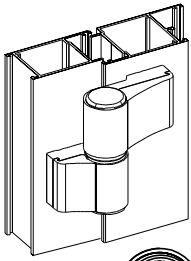
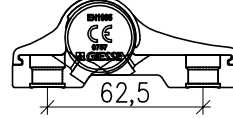
İki yapraklı kapı menteşesi  
Two-leaf hinges for door

- |                           |                             |   |
|---------------------------|-----------------------------|---|
| D-800 (ithal)<br>(import) | D-800-a (yerli)<br>(native) | naturel eloksalli<br>(mat anodized)           |
| D-801 (ithal)<br>(import) | D-801-a (yerli)<br>(native) | pres veya renkli<br>(mill finish and painted) |



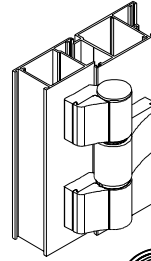
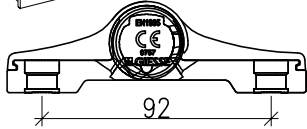
Üç yapraklı kapı menteşesi  
Three-leaf hinges for door

- |                           |                             |   |
|---------------------------|-----------------------------|---|
| D-803 (ithal)<br>(import) | D-803-a (yerli)<br>(native) | naturel eloksalli<br>(mat anodized)           |
| D-804 (ithal)<br>(import) | D-804-a (yerli)<br>(native) | pres veya renkli<br>(mill finish and painted) |



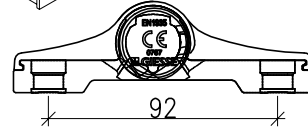
İki yapraklı kapı menteşesi  
Two-leaf hinges for door

- |                           |                             |   |
|---------------------------|-----------------------------|---|
| D-806 (ithal)<br>(import) | D-806-a (yerli)<br>(native) | naturel eloksalli<br>(mat anodized)           |
| D-807 (ithal)<br>(import) | D-807-a (yerli)<br>(native) | pres veya renkli<br>(mill finish and painted) |



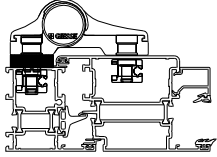
Üç yapraklı kapı menteşesi  
Three-leaf hinges for door

- |                           |                             |   |
|---------------------------|-----------------------------|---|
| D-809 (ithal)<br>(import) | D-809-a (yerli)<br>(native) | naturel eloksalli<br>(mat anodized)           |
| D-810 (ithal)<br>(import) | D-810-a (yerli)<br>(native) | pres veya renkli<br>(mill finish and painted) |



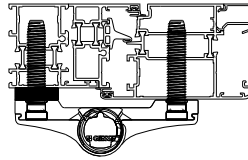
Menteşe kademe yükseltici  
Step for hinges

- |                           |                             |   |
|---------------------------|-----------------------------|---|
| D-888 (ithal)<br>(import) | D-888-a (yerli)<br>(native) | naturel eloksalli<br>(mat anodized)           |
| D-889 (ithal)<br>(import) | D-889-a (yerli)<br>(native) | pres veya renkli<br>(mill finish and painted) |



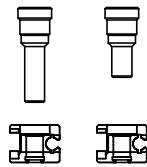
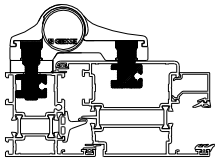
Menteşe kademe yükseltici  
Step for hinges

- |                           |                             |   |
|---------------------------|-----------------------------|---|
| D-890 (ithal)<br>(import) | D-890-a (yerli)<br>(native) | naturel eloksalli<br>(mat anodized)           |
| D-891 (ithal)<br>(import) | D-891-a (yerli)<br>(native) | pres veya renkli<br>(mill finish and painted) |



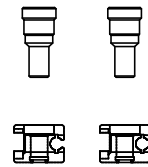
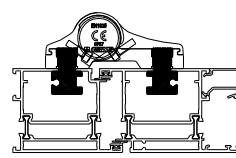
İki yapraklı kapı menteşesi için bağlantı takımı  
Two-leaf hinges door for counterplates

- |                           |                             |                                     |
|---------------------------|-----------------------------|-------------------------------------|
| D-892 (ithal)<br>(import) | D-892-a (yerli)<br>(native) | naturel eloksalli<br>(mat anodized) |
|---------------------------|-----------------------------|-------------------------------------|



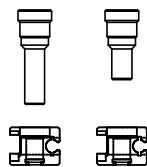
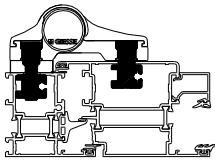
İki yapraklı kapı menteşesi için bağlantı takımı  
Two-leaf hinges door for counterplates

- |                           |                             |                                     |
|---------------------------|-----------------------------|-------------------------------------|
| D-893 (ithal)<br>(import) | D-893-a (yerli)<br>(native) | naturel eloksalli<br>(mat anodized) |
|---------------------------|-----------------------------|-------------------------------------|



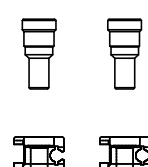
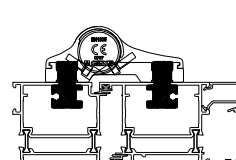
Üç yapraklı kapı menteşesi için bağlantı takımı  
Three-leaf hinges door for counterplates

- |                           |                             |                                     |
|---------------------------|-----------------------------|-------------------------------------|
| D-894 (ithal)<br>(import) | D-894-a (yerli)<br>(native) | naturel eloksalli<br>(mat anodized) |
|---------------------------|-----------------------------|-------------------------------------|



Üç yapraklı kapı menteşesi için bağlantı takımı  
Three-leaf hinges door for counterplates

- |                           |                             |                                     |
|---------------------------|-----------------------------|-------------------------------------|
| D-895 (ithal)<br>(import) | D-895-a (yerli)<br>(native) | naturel eloksalli<br>(mat anodized) |
|---------------------------|-----------------------------|-------------------------------------|

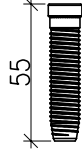
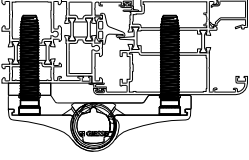


## AKSESUARLAR ACCESSOIRES

## PENCERE VE KAPI AÇILIM MEKANİZMALARI WINDOW AND DOOR OPENING MECHANISMS

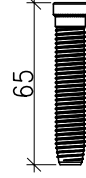
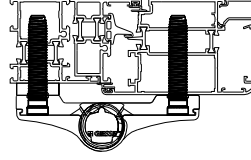
İki ve üç yapraklı kapı menteşesi için bağlantı  
Two and three-leaf hinges door for counterplates

D-896 (ithal) D-896-a (yerli) naturel eloksalli  
(import) (native) (mat anodized)



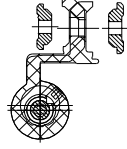
İki ve üç yapraklı kapı menteşesi için bağlantı  
Two and three-leaf hinges door for counterplates

D-897 (ithal) D-897-a (yerli) naturel eloksalli  
(import) (native) (mat anodized)



İki yapraklı kapı menteşesi (XL)  
Two-leaf hinges for door (XL)

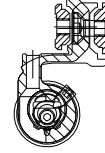
D-812 (ithal) D-812-a (yerli) naturel eloksalli  
(import) (native) (mat anodized)  
D-813 (ithal) D-813-a (yerli) pres veya renkli  
(import) (native) (mill finish and painted)



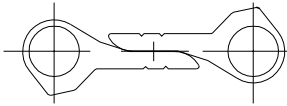
max.100 kg

Üç yapraklı kapı menteşesi (XXL)  
Three-leaf hinges for door (XXL)

D-815 (ithal) D-815-a (yerli) naturel eloksalli  
(import) (native) (mat anodized)  
D-816 (ithal) D-816-a (yerli) pres veya renkli  
(import) (native) (mill finish and painted)



max.160 kg



Çarpma kapı menteşesi  
Swinging door hinges

D-818 (ithal) D-818-a (yerli)  
(import) (native)  
D-819 (ithal) D-819-a (yerli)  
(import) (native)



Limitleme makası (küçük)  
Window stay (small)

W-886K (ithal) W-886K-a (yerli)  
(import) (native)

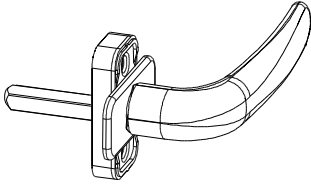


Limitleme makası (büyük)  
Window stay (big)

W-886 (ithal) W-886-a (yerli)  
(import) (native)

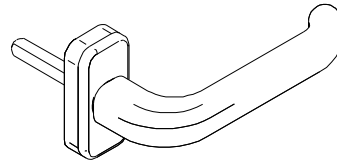
# AKSESUARLAR ACCESSOIRES

# PENCERE VE KAPI AÇILIM MEKANİZMALARI WINDOW AND DOOR OPENING MECHANISMS



Prima kapı kolu  
Prima handle

- D-821 (ithal) D-821-a (yerli) naturel eloksalli  
(import) (native) (mat anodized)
- D-822 (ithal) D-822-a (yerli) pres veya renkli  
(import) (native) (mill finishand and painted)



Prima kapı kolu (sağ-sol)  
Prima handle (LH/RH)

- D-824 (ithal) D-824-a (yerli) naturel eloksalli  
(import) (native) (mat anodized)
- D-825 (ithal) D-825-a (yerli) pres veya renkli  
(import) (native) (mill finishand and painted)



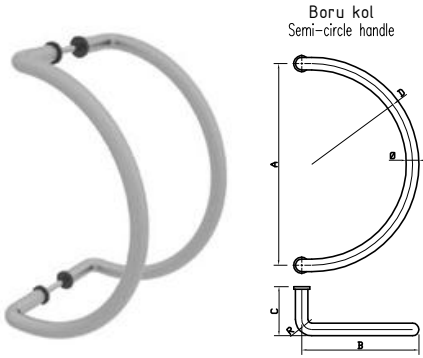
Prima ikili kapı kolu  
Prima handle couple

- D-827 (ithal) D-827-a (yerli) naturel eloksalli  
(import) (native) (mat anodized)
- D-828 (ithal) D-828-a (yerli) pres veya renkli  
(import) (native) (mill finishand and painted)



Supermaster ikili kapı kolu  
Supermaster handle-couple

- D-830 (ithal) D-830-a (yerli) naturel eloksalli  
(import) (native) (mat anodized)
- D-831 (ithal) D-831-a (yerli) pres veya renkli  
(import) (native) (mill finishand and painted)



Boru kol  
Semi-circle handle

- D-833-X  
naturel eloksalli  
(mat anodized)
- D-834-X  
pres veya renkli  
(mill finishand and painted)

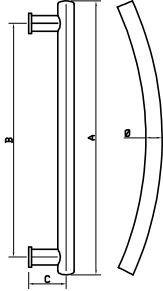
X	Ø	R	A	B	C	D
1	20	25	110	110	60	55
2	20	25	150	130	60	75
3	20	25	200	140	60	100
4	25	40	200	150	80	100
5	25	40	300	210	80	150
6	25	40	400	250	80	200
7	30	55	300	250	80	150
8	30	55	350	250	80	175
9	32	55	300	250	80	150
10	32	55	350	175	80	175



Boru kol  
Semi-circle curved handle

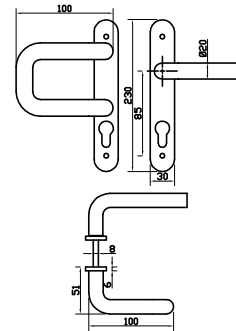
- D-836-X  
naturel eloksalli  
(mat anodized)
- D-837-X  
pres veya renkli  
(mill finishand and painted)

X	Ø	R	A	B	C
1	20	25	110	90	60
2	20	25	150	90	60
3	20	25	200	90	60
4	25	40	200	100	80
5	25	40	250	100	80
6	25	40	300	100	80
7	25	40	350	100	80
8	25	40	400	100	80
9	30	40	300	100	80
10	30	50	350	130	80
11	30	50	600	130	80
12	32	50	300	150	80
13	32	50	350	150	80



- Boru kol  
Spring handle
- D-839-X  
naturel eloksalli  
(mat anodized)
- D-840-X  
pres veya renkli  
(mill finishand and painted)

X	Ø	R	A	B	C
1	30	750	600	1500	75
2	30	750	750	1600	75



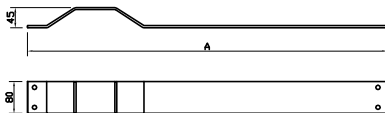
Düz-kıvrık aynalı kol  
Flat-curve mirrored handles

- D-842-X  
naturel eloksalli  
(mat anodized)
- D-843-X  
pres veya renkli  
(mill finishand and painted)

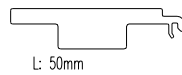


Lama bant kol  
Lama stripe handle

- D-845-X  
naturel eloksalli  
(mat anodized)
- D-846-X  
pres veya renkli  
(mill finishand and painted)



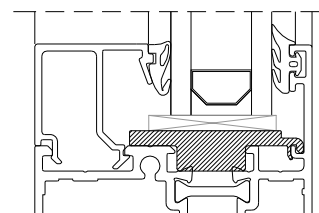
X	A
1	900
2	1000



L: 50mm

Cam altı takozu (yerli)  
Glass support piece (native)

- D-869 W1-W2-W3-W4-D1-D2  
D65-869 W5-W6-S3  
D75-869 W7-W8  
D45-869 W9-W10

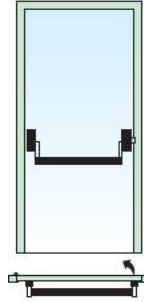


## AKSESUARLAR ACCESSOIRES

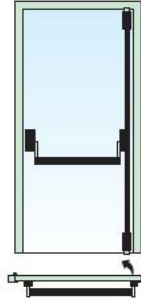
## PENCERE VE KAPI AÇILIM MEKANİZMALARI WINDOW AND DOOR OPENING MECHANISMS



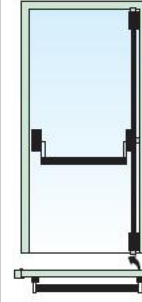
Giesse panik kol  
Panic bar mechanism



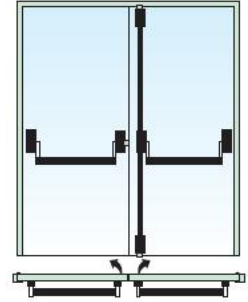
D-857  
naturel eloksalli  
(mat anodized)



D-860  
naturel eloksalli  
(mat anodized)



D-863  
naturel eloksalli  
(mat anodized)



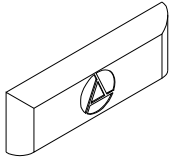
D-866  
naturel eloksalli  
(mat anodized)

D-858  
pres veya renkli  
(mill finishand and painted)

D-861  
pres veya renkli  
(mill finishand and painted)

D-864  
pres veya renkli  
(mill finishand and painted)

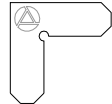
D-867  
pres veya renkli  
(mill finishand and painted)



Pvc su tahliye parçası  
Drainage hole cover

D-870 (yerli)  
(native)

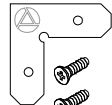
(renk seçeneği belirtilmelidir)  
(colour choice must be stated)



Köşe birleştirme aparatı  
Shoulder aligning square

D-872 (yerli)  
(native)

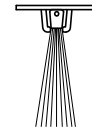
alüminyum 1.5mm



Köşe birleştirme aparatı  
Shoulder aligning square

D-872-1 (yerli)  
(native)

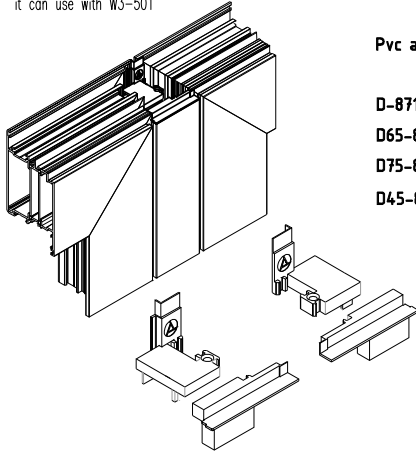
alüminyum 1.5mm



Kapı altı fırçası  
Door brush

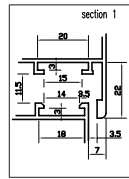
D-873 (yerli)  
(native)

W3-501 profili ile kullanılır  
it can use with W3-501

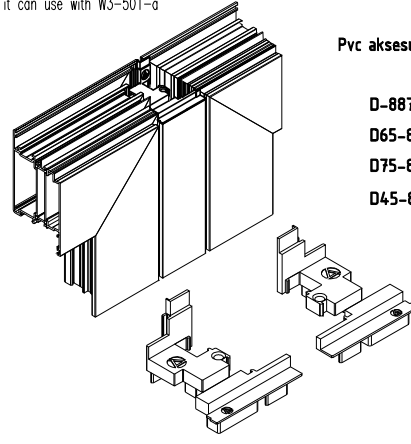


Pvc adaptör kapak (takım)  
PVC adapter cover

D-871 W1-W2-W3-W4  
D65-871 W5-W6  
D75-871 W7-W8  
D45-871 W9-W10

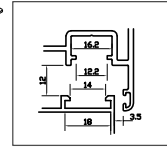


W3-501-a profili ile kullanılır  
it can use with W3-501-a



Pvc aksesuar kanal adaptör kapak (takım)  
PVC adapter cover

D-887 W1-W2-W3-W4  
D65-887 W5-W6  
D75-887 W7-W8  
D45-887 W9-W10



Diştan uygulama kapı sürgüsü  
Door lever bolt (from outside application)

D-882 (ithal) D-882-a (yerli) naturel eloksalli  
(import) (native) (mat anodized)  
D-883 (ithal) D-883-a (yerli) pres veya renkli  
(import) (native) (mill finishand and painted)

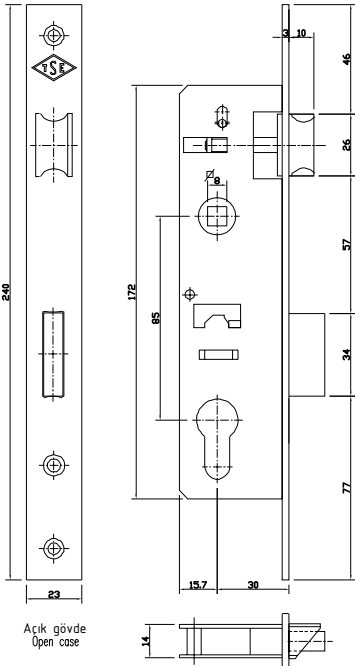


Kapı sürgüsü  
Door lever bolt

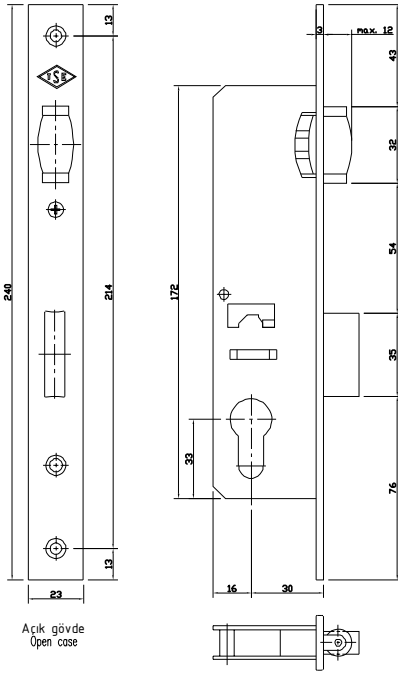
D-881 (ithal) D-881-a (yerli)  
(import) (native)

# AKSESUARLAR ACCESSOIRES

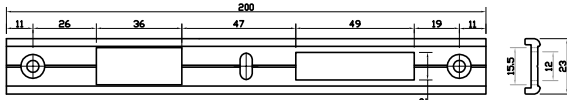
# PENCERE VE KAPI AÇILIM MEKANİZMALARI WINDOW AND DOOR OPENING MECHANISMS



**153U-30**  
Dar kilit(dilli)  
Narrow lock (bolt)  
D-874 (yerli) metalik  
(native) metallic

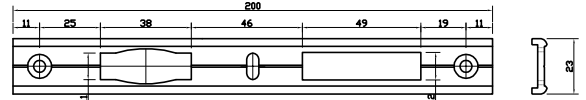


**155U-30**  
Dar kilit (makaralı)  
Narrow lock (roller)  
D-876 (yerli) metalik  
(native) metallic

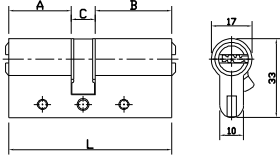


D-851 (yerli) naturel eloksalli  
(native) (mat anodized)  
D-852 (yerli) pres veya renkli  
(native) (mill finish and painted)

Kilit karşılığı  
Lock plate



D-854 (yerli) naturel eloksalli  
(native) (mat anodized)  
D-855 (yerli) pres veya renkli  
(native) (mill finish and painted)



A	C	B	L	Barel Cylinders
26	10	26	62	D-878-1 (yerli) metalik
26	10	32	68	D-878-2 (yerli) metalik
30	10	40	80	D-878-3 (yerli) metalik
30	10	45	85	D-878-4 (yerli) metalik
30	10	50	90	D-878-5 (yerli) metalik
30	10	60	100	D-878-6 (yerli) metalik
25	10	65	100	D-878-7 (yerli) metalik
25	10	70	105	D-878-8 (yerli) metalik

Barel rozeti  
Cylinder cover



D-848-1 naturel eloksalli (mat anodized)  
D-848-2 pres veya renkli (mill finish and painted)



D-849-1 naturel eloksalli (mat anodized)  
D-849-2 pres veya renkli (mill finish and painted)



D-850-1 naturel eloksalli (mat anodized)  
D-850-2 pres veya renkli (mill finish and painted)

